

# Qwik-Ty® Strain Reliefs

for Series 80 Mighty Mouse Connectors

## 450M\*001 Qwik-Ty, Spin Coupling



**Lightweight, fast-to-install.** 450M\*001 Qwik-Ty® strain relief fits Series 80 Mighty Mouse connectors. Spin coupling. Secure wire bundle with plastic strap or lacing tape (not included). Optional ground lug provides thru-hole for attaching a ring terminal. Aluminum alloy.

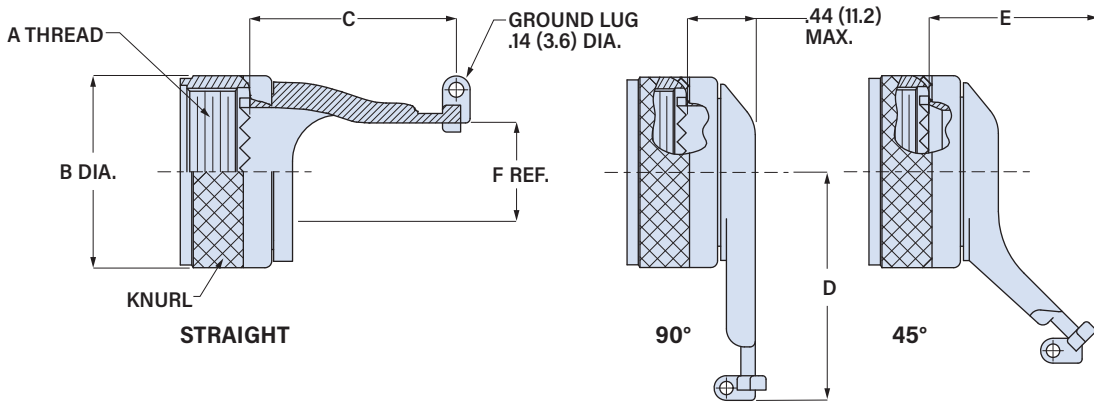
**Adapter Code M**  
This accessory fits Series 80 Mighty Mouse Connectors

### PART NUMBER

	<b>450MS001</b>	<b>M</b>	<b>09</b>	<b>G</b>
<b>Base P/N</b>	<b>450MS001</b> Straight <b>450MA001</b> 90° <b>450MB001</b> 45°			
<b>Finish</b>	<b>C</b> Black Anodize <b>M</b> Electroless Nickel <b>NF</b> Olive Drab Cadmium <b>MT</b> Nickel-PTFE <b>ZR</b> Black Zinc-Nickel <b>TZ</b> Tin-Zinc			
<b>Size Code</b>	<b>05 06 07 08 09 10 11 12 13 14 15 16 17</b>			
<b>Ground Lug</b>	Omit if not required <b>G</b> Ground Lug			

### MATERIAL/FINISH

Body, coupling nut: aluminum/ finish per PN



Size Code	Shell Size		A Thread UNEF-2B	øB Max.		C Max.		D Max.		E Max.		F Ref. Cable Entry	
	Series 800, 801, 803, 804	Series 805		In.	mm.	In.	mm.	In.	mm.	In.	mm.	In.	mm.
05	5	N/A	0.250-32	.50	12.7	.866	22.0	.89	22.6	.89	22.6	.156	4.0
06	6	N/A	0.3125-32	.56	14.2	.866	22.0	.89	22.6	.89	22.6	.218	5.5
11	N/A	8	0.3750-32	.57	14.5	.866	22.0	.89	22.6	.89	22.6	.250	6.4
07	7	9	0.4375-28	.69	17.5	.866	22.0	.89	22.6	1.066	27.1	.250	6.4
08	8	10	0.500-28	.70	17.8	.866	22.0	.95	24.1	1.066	27.1	.375	9.5
09	9	11	0.5625-24	.79	20.1	.866	22.0	.95	24.1	1.066	27.1	.375	9.5
10	10	12	0.625-24	.82	20.8	.926	23.5	1.01	25.7	1.066	27.1	.500	12.7
12	11, 12, 13	13	0.6875-24	.91	23.1	.926	23.5	1.01	25.7	1.066	27.1	.500	12.7
13	N/A	15	0.750-20	.93	23.6	.926	23.5	1.01	25.7	1.066	27.1	.615	15.6
14	14, 15, 16, 17	18, 19	0.9375-20	1.15	29.2	1.106	28.1	1.39	35.3	1.226	31.1	.750	19.1
16	19	21	1.0625-18	1.23	31.2	1.176	29.9	1.46	37.1	1.226	31.1	.845	21.5
17	21	23	1.1875-18	1.39	35.3	1.306	33.2	1.51	38.4	1.226	31.1	.970	24.6