

# Qwik-Ty® Strain Reliefs

for MIL-DTL-38999 Series III and IV Connectors

## 450H\*047 Qwik-Ty Strain Relief, Composite, with Braid Sock

### Self-Locking

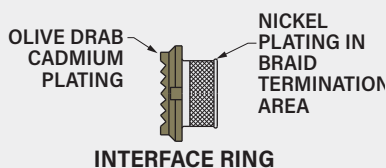


**Shielded. Self-locking. Composite.** Qwik-Ty® strain relief has brass EMI adapter attached to 12 inches (30 cm) of shielding braid. Fits MIL-DTL-38999 Series III and IV connectors. Anti-decoupling mechanism in coupling nut provides audible detented coupling and prevents backoff under high vibration. Secure wire bundle with plastic strap or lacing tape (not included). Straight, 45° and 90° profiles. Coupling nut and body are glass fiber filled PEI, black color. Tin-plated copper alloy crimp ring.

### Adapter Code **H**

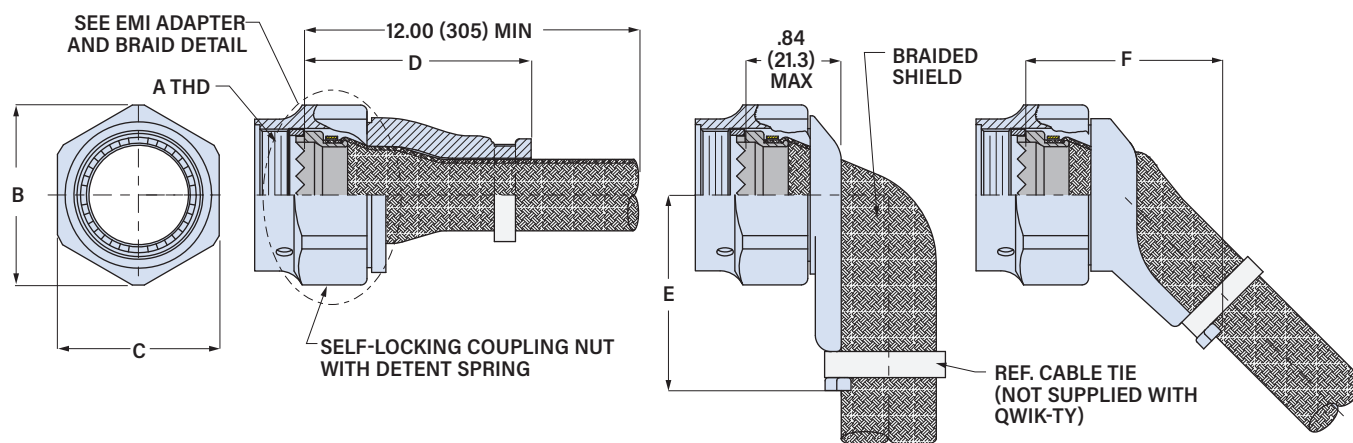
This accessory fits these connectors:  
MIL-DTL-38999 Series III and Series IV

**FIGURE 1: FINISH CODE XN**



### PART NUMBER

		450HS047	XB	13	L	R	14			
Base P/N	450HS047	Straight								
	450HA047	90°								
	450HB047	45°								
EMI Adapter Finish	XB	Electroless Nickel								
	XMT	Nickel/PTFE								
	XN	Olive Drab Cadmium, selective (fig.1)								
Size Code	Shell Size	9	11	13	15	17	19	21	23	25
	Size Code	A	B	C	D	E	F	G	H	J
Braid Type	Omit for standard 34 AWG nickel/copper braid									
	T	34 AWG Tin/Copper Braid								
Split Ring and Band	Omit if not required									
	R	Split ring and coiled band supplied with clamp								
Braid Length	Omit for standard 12 inch length									
	14	Length in 1 inch increments, 6 inch min. "14" = 14 inches.								



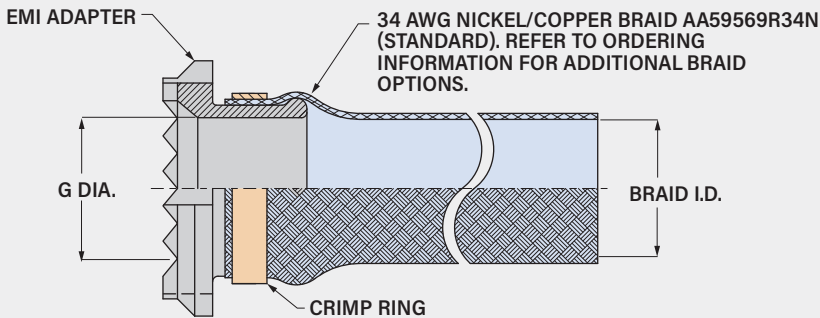
Shell Size	A Thread	øB Max In.	mm.	C Flats In.	mm.	D Max In.	mm.	E Max In.	mm.	F Max In.	mm.
9 (A)	M12X1.0-6H	.86	21.8	.75	19.1	1.55	39.4	1.47	37.3	1.39	35.3
11 (B)	M15X1.0-6H	.98	24.9	.88	22.4	1.55	39.4	1.54	39.1	1.39	35.3
13 (C)	M18X1.0-6H	1.16	29.5	1.00	25.4	1.79	45.5	1.87	47.5	1.39	35.3
15 (D)	M22X1.0-6H	1.28	32.5	1.13	28.7	1.79	45.5	1.91	48.5	1.89	48.0
17 (E)	M25X1.0-6H	1.41	35.8	1.25	31.8	1.94	49.3	1.97	50.0	1.89	48.0
19 (F)	M28X1.0-6H	1.52	38.6	1.38	35.1	1.98	50.3	1.97	50.0	1.99	50.5
21 (G)	M31X1.0-6H	1.64	41.7	1.50	38.1	2.16	54.9	2.04	51.8	1.99	50.5
23 (H)	M34X1.0-6H	1.77	45.0	1.63	41.4	2.24	56.9	2.10	53.3	1.99	50.5
25 (J)	M37X1.0-6H	1.89	48.0	1.75	44.5	2.40	61.0	2.16	54.9	2.20	55.9

# Qwik-Ty® Strain Reliefs

for MIL-DTL-38999 Series III and IV Connectors

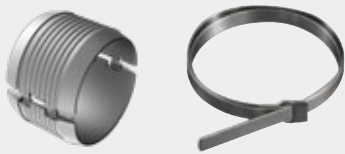
## 450H\*047 EMI Qwik-Ty, Self-Locking, Composite, with Braid Sock

### EMI ADAPTER AND BRAID DETAIL

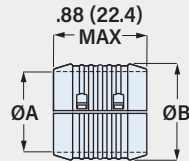


Shell Size	ø G Min. In.	ø G Min. mm.	Braid I.D. In.	Braid I.D. mm.
08	.265	6.73	.375	9.53
10	.370	9.40	.375	9.53
12	.506	12.85	.500	12.70
14	.580	14.73	.500	12.70
16	.705	17.91	.781	19.84
18	.784	19.91	.781	19.84
20	.909	23.09	1.000	25.40
22	1.034	26.26	1.000	25.40
24	1.149	29.18	1.250	31.75

### SUPPORT RING AND PRE-COILED BAND (R OPTION)



Optional split support ring provides a reliable, low resistance method of splicing braid sock to wire bundle braid. Snap split ring over wire bundle, then overlap braid sock and cable braid. Install band around split ring and braid using **Band-Master ATS®** standard banding tool.



687-749 Split Ring



Banding Tool

Shell Size	Support Ring Part Number	øA		øB	
		± .030 (0.8) In.	± .030 (0.8) mm.	± .030 (0.8) In.	± .030 (0.8) mm.
9 (A)	687-749XB04	.25	6.4	.40	10.2
11 (B)	687-749XB06	.38	9.7	.53	13.5
13 (C)	687-749XB08	.50	12.7	.65	16.5
15 (D)	687-749XB10	.63	16.0	.78	19.8
17 (E)	687-749XB12	.75	19.1	.90	22.9
19 (F)	687-749XB14	.88	22.4	1.03	26.2
21 (G)	687-749XB16	1.00	25.4	1.15	29.2
23 (H)	687-749XB18	1.13	28.7	1.28	32.5
25 (J)	687-749XB20	1.25	31.8	1.40	35.6

Shell Size	Band Part Number	Tool Part Number
All	601-041	601-100

### MATERIAL/FINISH

- Body, coupling nut: polyetherimide (PEI)/no finish (black color)
- EMI adapter: brass, plated per finish code. For finish code XN, selectively plated as shown in fig. 1
- Crimp ring: copper/tin
- Anti-decoupling spring: high grade engineering thermoplastic
- Split ring: polyetherimide, black color
- Band strap: stainless steel
- Braid: (standard) 34 AWG nickel-coated copper, type AA59569R34N
  - Code T: 34 AWG tin-coated copper, type AA59569R34T
  - Code A: **AmberStrand®** ultralightweight nickel-coated polymer
  - Code L: **ArmorLite®** microfilament nickel-coated 316L stainless steel