

Qwik-Ty® Strain Reliefs

for MIL-DTL-38999 Series III and IV Connectors

450H*029 Qwik-Ty, Self-Locking, Composite



Self-Locking

Lightweight, self-locking, corrosion-proof. 450H*029 composite Qwik-Ty® strain relief fits MIL-DTL-38999 Series III and IV connectors. High performance glass-reinforced material meets AS85049 requirements. Anti-decoupling mechanism provides audible detented coupling and prevents backoff under high vibration. Secure wire bundle with plastic strap or lacing tape (not included). Straight, 45° or 90°. Polyetherimide material with thermoplastic anti-decoupling spring.

Adapter Code H

This accessory fits these connectors:
MIL-DTL-38999 Series III and Series IV

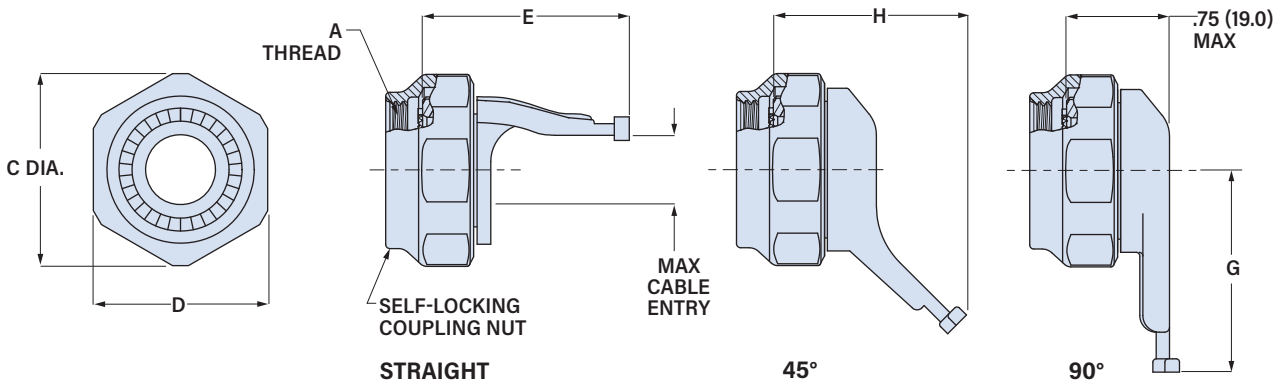
PART NUMBER

450HS029 XB 15

Base P/N
450HS029 Straight
450HA029 90°
450HB029 45°

Material Color
XB No Plating, Color Black
XO No Plating, Color Brown
XM Electroless Nickel
XMT Nickel-PTFE
XW Olive Drab Cadmium
XZN Black Zinc-Nickel

Size Code	Shell Size	9	11	13	15	17	19	21	23	25
		A	B	C	D	E	F	G	H	J
	Size Code	09	11	13	15	17	19	21	23	25



Shell Size	A Thread	øC Max		D Hex Flats		E Max		G Max		H Max		Max Cable Entry	
		In.	mm.	In.	mm.	In.	mm.	In.	mm.	In.	mm.	In.	mm.
9 (A)	M12X1.0-6H	.86	21.8	.750	19.1	1.14	29.0	1.22	31.0	1.14	29.0	.25	6.4
11 (B)	M15X1.0-6H	.98	24.9	.875	22.4	1.14	29.0	1.29	32.8	1.14	29.0	.38	9.7
13 (C)	M18X1.0-6H	1.16	29.5	1.000	25.4	1.20	30.5	1.62	41.1	1.14	29.0	.50	12.7
15 (D)	M22X1.0-6H	1.28	32.5	1.125	28.6	1.38	35.1	1.66	42.2	1.64	41.7	.63	16.0
17 (E)	M25X1.0-6H	1.41	35.8	1.250	31.8	1.38	35.1	1.72	43.7	1.64	41.7	.75	19.1
19 (F)	M28X1.0-6H	1.52	38.6	1.375	34.9	1.44	36.6	1.72	43.7	1.74	44.2	.81	21.8
21 (G)	M31X1.0-6H	1.64	41.7	1.500	38.1	1.57	39.9	1.79	45.5	1.74	44.2	.94	23.9
23 (H)	M34X1.0-6H	1.77	45.0	1.625	41.3	1.69	42.9	1.85	47.0	1.74	44.2	1.06	26.9
25 (J)	M37X1.0-6H	1.89	48.0	1.750	44.5	1.83	46.5	1.91	48.5	1.95	49.5	1.19	30.2