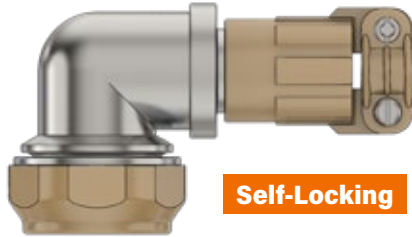


Series 44 Banding Backshells

for MIL-DTL-38999 Series I and II Connectors

447F*328 Banding Backshell, Composite, Shrouded



Self-Locking

Adapter Code F

This accessory fits these connectors:
MIL-DTL-38999 Series I and Series II

BAND

Optional SST band strap provides fast, cost-effective and highly reliable termination of braided metallic shielding.



Standard Band 601-041

Lightweight. Composite. Band-in-a-Can shield termination. 447F*328 banding backshell fits MIL-DTL-38999 Series I and II connectors. Lightweight, corrosion-free composite material meets AS85049 requirements. Anti-decoupling mechanism provides audible detented coupling and prevents backoff under high vibration. Terminate cable braid shield to backshell with optional band strap. Glass-reinforced thermoplastic.

PART NUMBER

		447FS328	XM	14	12	K	S			
Base P/N	Base Part No.									
	447FS328	S	Straight							
	447FT328	T	45°							
	447FW328	W	90°							
Finish	XM	Electroless Nickel								
	XMT	Nickel-PTFE								
	XW	Olive Drab Cadmium								
	XTZ	Tin-Zinc								
<i>Coupling nut and saddle clamp are unplated amber color.</i>										
Shell Size	Shell Size									
	38999 Series I	9	11	13	15	17	19	21	23	25
	38999 Series II	8	10	12	14	16	18	20	22	24
	Size Code	08	10	12	14	16	18	20	22	24
Entry Size	<i>See Table 1</i>									
Band	<i>Omit if not required</i>									
	K	Pre-Coiled Band Included								
Slot	<i>Omit if not required</i>									
	S	Pigtail Termination Slots								

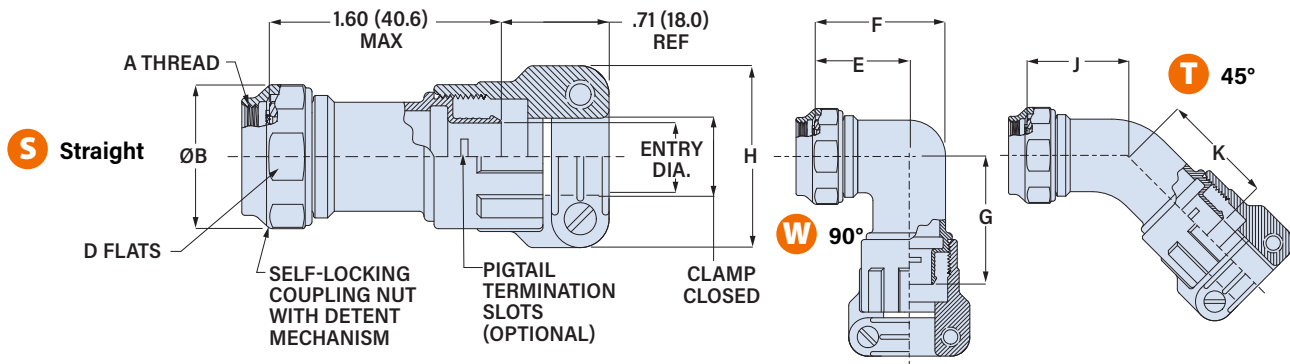


TABLE 1: ENTRY SIZE

Entry Size	Entry Dia.		H		Clamp Closed		Shell Sizes	Shell Size	A Thread UNEF-2B	øB Max		D Hex Flats		E ±.06(1.5)		F ±.09(2.3)		G Max		J ±.06(1.5)		K ±.09(2.3)		Max Entry Size
	±.03 (0.8) in	±.06 (1.5) mm	±.03 (0.8) in	±.06 (1.5) mm	±.03 (0.8) in	±.06 (1.5) mm				in	mm	in	mm	in	mm	in	mm	in	mm	in	mm	in	mm	
10	.22	5.6	.94	23.9	.26	6.6	08-24	8/9	0.4375-28	.86	21.8	.750	19.1	.69	17.5	.88	22.4	1.31	33.3	.72	18.3	1.15	29.2	10
12	.28	7.1	1.17	29.7	.34	8.6	10-24	10/11	0.5625-24	.98	24.9	.875	22.2	.75	19.1	1.00	25.4	1.42	36.1	.75	19.1	1.27	32.3	12
14	.34	8.6	1.28	32.5	.46	11.7	12-24	12/13	0.6875-24	1.16	29.5	1.000	25.4	.81	20.6	1.13	28.7	1.57	39.9	.75	19.1	1.33	33.8	14
16	.46	11.7	1.41	35.8	.55	14.0	14-24	14/15	0.8125-20	1.28	32.5	1.125	28.6	.88	22.4	1.31	33.3	1.57	39.9	.76	19.3	1.37	34.8	16
18	.55	14.0	1.50	38.1	.62	15.7	16-24	16/17	0.9375-20	1.41	35.8	1.250	31.8	.94	23.9	1.38	35.1	1.64	41.7	.78	19.8	1.39	35.3	20
20	.62	15.7	1.56	39.6	.70	17.8	16-24	18/19	1.0625-18	1.52	38.6	1.375	34.9	.97	24.6	1.44	36.6	1.73	43.9	.79	20.1	1.41	35.8	20
22	.70	17.8	1.69	42.9	.78	19.8	20-24	20/21	1.1875-18	1.64	41.7	1.500	38.1	1.06	26.9	1.63	41.4	1.82	46.2	.82	20.8	1.43	36.3	22
24	.78	19.8	1.81	46.0	.85	21.6	22-24	22/23	1.3125-18	1.77	45.0	1.625	41.3	1.13	28.7	1.75	44.5	1.82	46.2	.86	21.8	1.47	37.3	24
28	.85	21.6	1.91	48.5	.95	24.1	24	24/25	1.4375-18	1.89	48.0	1.750	44.5	1.19	30.2	1.88	47.8	1.92	48.8	.89	22.6	1.50	38.1	32
32	.95	24.1	2.02	51.3	1.02	25.9	24																	