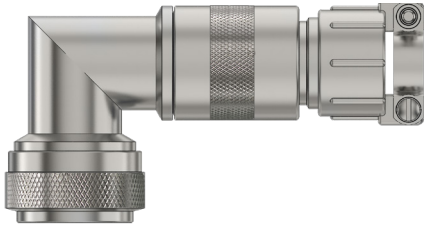


Series 44 Banding Backshells

for AS50151 Crimp, M26482 Series II, M83723 Series III, AS95234

443A*024 Banding Backshell, Shrouded Environmental

Self-Locking

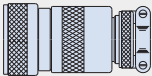


Adapter Code A

AS50151 crimp, AS95234, MIL-DTL-26482 Ser. II, MIL-DTL-83723 Ser. III

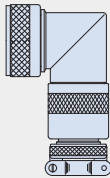
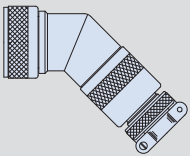
PROFILE SELECTION GUIDE

S Straight



H 45°

J 90°



Environmental. "Band-in-a-Can" shield termination. Saddle clamp. 443A*024 banding backshell fits AS50151 crimp (MS3450), AS95234, MIL-DTL-26482 Series II, MIL-DTL-83723 Series III connectors. Anti-decoupling mechanism provides audible detented coupling and prevents backoff under high vibration. Terminate cable braid shield with band strap (not supplied). Environmentally sealed with O-rings and cable grommet. Aluminum or stainless steel. Saddle clamp hardware is passivated SST. Silicone O-rings and grommet. Aluminum version has thermoplastic detent spring, stainless steel version has stainless steel detent spring.

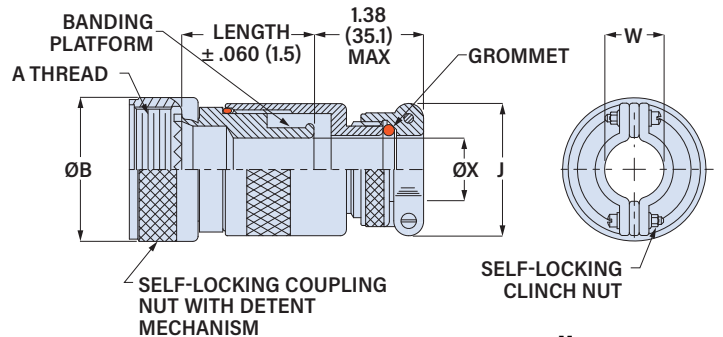
PART NUMBER

			443AS024	NF	18	06-	3	S
Base P/N	Base Part No.	Profile	443AS024	S	Straight			
	443AH024	H	45°					
	443AJ024	J	90°					
Material/Finish	M	Alum/ Electroless Nickel						
	MT	Alum/ Nickel-PTFE						
	NF	Alum/ Olive Drab Cadmium						
	ZR	Alum/ Black Zinc-Nickel						
	TZ	Alum/ Tin-Zinc						
ZM	SST/ Electroless Nickel							
Shell Size	08 10 12 14 16 18 20 22 24 28 32 36							
Entry Size	See Table 1							
Length	2	1.0 inch	Applies to Profile S only.					
	3	1.5 inches	If Entry Size is greater than					
	4	2.0 inches	"Maximum Entry Size", then 2 inch					
	6	3.0 inches	minimum applies.					
Self-Locking	S	Self-Locking Coupling Nut						

TABLE 1: ENTRY SIZE

Entry Size	Cable Range		J Max.	W Closed	ø X Min	Shell Sizes*
	Min.	Max.				
01	.125	3.2	.250	6.4	1.05	26.7 .264 6.7 .25 6.4 08-36
02	.188	4.8	.375	9.5	1.20	30.5 .344 8.7 .37 9.4 10-36
03	.312	7.9	.438	11.1	1.30	33.0 .460 11.7 .43 10.9 10-36
04	.343	8.7	.500	12.7	1.44	36.6 .545 13.8 .50 12.7 12-36
05	.438	11.1	.625	15.9	1.69	42.9 .698 17.7 .62 15.7 16-36
06	.562	14.3	.750	19.1	1.77	45.0 .780 19.8 .75 19.1 18-36
07	.688	17.5	.875	22.2	2.12	53.8 .950 24.1 .87 22.1 20-36
08	.812	20.6	1.000	25.4	2.50	63.5 1.015 25.8 1.00 25.4 22-36
09	.938	23.8	1.125	28.6	2.62	66.5 1.187 30.1 1.12 28.4 24-36
10	1.062	27.0	1.250	31.8	2.68	68.1 1.220 31.0 1.25 31.8 28-36
11	1.125	28.6	1.375	34.9	3.00	76.2 1.500 38.1 1.38 35.1 28-36
12	1.250	31.8	1.500	38.1	3.50	88.9 1.625 41.3 1.50 38.1 32-36

*If selected entry size exceeds shell size range, a Style 2 transition adapter will be included. See **Maximum Entry Size** for details.

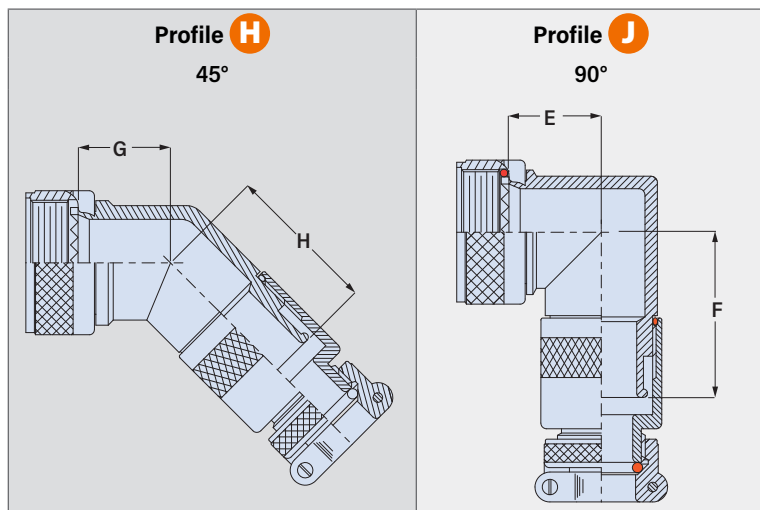


Shell Size	A Thread Class 2B	øB Max in	Max Entry Size
08	0.500-20 UNF	.69 17.5	01
10	0.625-24 UNEF	.82 20.8	02
12	0.750-20 UNEF	.94 23.8	04
14	0.875-20 UNEF	1.06 26.9	04
16	1.000-20 UNEF	1.17 29.7	05
18	1.0625-18 UNEF	1.46 37.1	06
20	1.1875-18 UNEF	1.60 40.6	07
22	1.3125-18 UNEF	1.70 43.2	08
24	1.4375-18 UNEF	1.84 46.7	09
28	1.750-18 UNS	2.01 51.1	11
32	2.000-18 UNS	2.26 57.4	12
36	2.250-16 UN	2.53 64.3	12

Series 44 Banding Backshells

for AS50151 Crimp, M26482 Series II, M83723 Series III, AS95234

443A*024 Banding Backshell, Shrouded, Environmental, Saddle Clamp



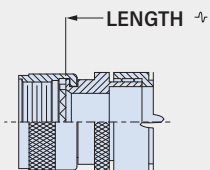
Shell Size	E Max.		F Max.		G Max.		H Max.	
	in	mm	in	mm	in	mm	in	mm
08	.75	19.1	1.50	38.1	.639	16.2	1.380	35.1
10	.81	20.6	1.55	39.4	.664	16.9	1.410	35.8
12	.87	22.1	1.61	40.9	.688	17.5	1.430	36.3
14	.92	23.4	1.68	42.7	.705	17.9	1.460	37.1
16	.98	24.9	1.74	44.2	.732	18.6	1.480	37.6
18	1.02	25.9	1.76	44.7	.748	19.0	1.490	37.8
20	1.08	27.4	1.82	46.2	.773	19.6	1.510	38.4
22	1.14	29.0	1.90	48.3	.800	20.3	1.550	39.4
24	1.20	30.5	1.97	50.0	.823	20.9	1.580	40.1
28	1.48	37.6	2.21	56.1	1.041	26.4	1.750	44.5
32	1.55	39.4	2.34	59.4	1.280	32.5	1.880	47.8
36	1.65	41.9	2.41	61.2	1.294	32.9	2.000	50.8

MAXIMUM ENTRY SIZE

If the selected entry size exceeds the maximum size in this table, the backshell will have a front adapter. This is called a **Style 2** backshell.

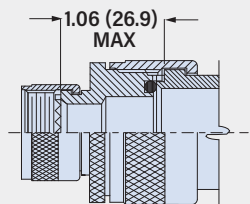
Shell Size	Max. Entry Size	Shell Size	Max. Entry Size
08	01	20	07
10	02	22	08
12	04	24	09
14	04	28	11
16	05	32	12
18	06	36	12

Style 2 Straight Backshell



For Style 2 straight backshells, the minimum length code increases from 2 (1 inch) to 4 (2 inches).

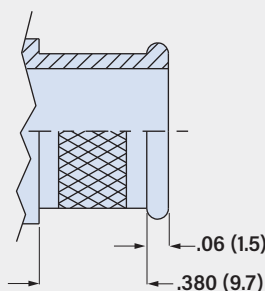
Style 2 45° and 90° Backshells



For Style 2 45° and 90° backshells, the length increases by 1.06 inches.

BAND

SST band strap (not included, ordered separately) provides fast, cost-effective and highly reliable termination of braided metallic shielding. The Band-Master ATS® Advanced Cable Shield Termination System is the overwhelming favorite throughout the military aerospace and defense industries, providing excellent static loading and corrosion resistance in electrical wire interconnect systems.



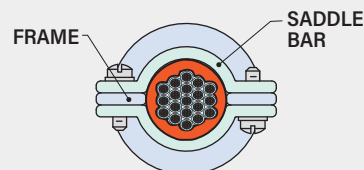
Band 601-041



Banding Tool 601-100

APPLICATION NOTE

This backshell has a **full radius** saddle clamp. This type of strain relief is designed to be fully closed. Saddle bars should be bottomed onto frame. Build up cable diameter with tape or sleeve to meet the diameter of the fully closed clamp.



FULL RADIUS SADDLE CLAMP
SADDLE BARS SHOULD BE FULLY BOTTOMED ONTO FRAME.