

Series 44 Banding Backshells

for Series ITS, VG95234 Connectors

440R*030 Banding Backshell, Shrink Boot



Spin coupling. Band-Master ATS® shield termination. 440R *030 banding adapter fits Series ITS and most VG95234 reverse bayonet connectors. Terminate cable braid shield to adapter with optional band strap. Optional shrink boot adds strain relief and environmental protection. Aluminum or stainless steel, silicone O-ring.

Adapter Code R

This accessory fits these connectors:
Series ITS, most VG95234 connectors

PROFILE SELECTION GUIDE

S Straight

H 45°

J 90°

PART NUMBER

		440RS030	NF	18	06-	4	K	P	T	
Base P/N	Base Part No.									
	Profile									
	440RS030	S	Straight							
	440RH030	H	45°							
	440RJ030	J	90°							
Material/Finish	M	Alum/ Electroless Nickel								
	MT	Alum/ Nickel-PTFE								
	NF	Alum/ Olive Drab Cadmium								
	ZR	Alum/ Black Zinc-Nickel								
	TZ	Alum/ Tin-Zinc								
	ZI	SST/ Passivated								
Shell Size	Size Code	Shell Size	Size Code	Shell Size						
	10	10SL	24	24						
	14	14S	28	28						
	16	16, 16S	32	32						
	18	18	36	36						
	20	20	40	40						
	22	22								
	Entry Size		See Table 1							
Length	3	1.5 inches		Applies to Profile S only						
	4	2.0 inches								
	5	2.5 inches								
	6	3.0 inches								
Band	Omit if not required									
	K	Pre-Coiled Band Included With Adapter								
Polysulfide	Omit if not required. Applies to Plating Codes NF, ZR, TZ only.									
	P	Nickel Plated Shield Termination Area with Polysulfide Barrier								
Shrink Boot	Omit if not required									
	T	Shrink Boot Included With Adapter								
	S	Zero Halogen Shrink Boot Included With Adapter								

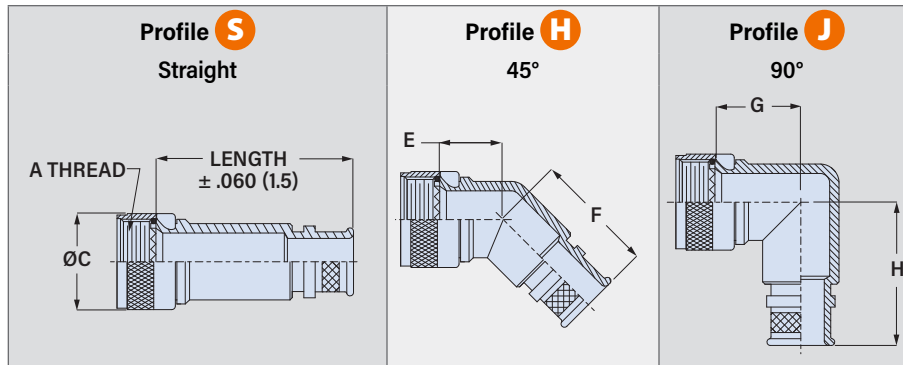
TABLE 1: ENTRY SIZE

Entry Size	Shell Sizes	øN ±.015(0.4)		øP ±.015(0.4)		øR ±.015(0.4)		Entry Size	Shell Sizes	øN ±.015(0.4)		øP ±.015(0.4)		øR ±.015(0.4)	
		in	mm	in	mm	in	mm			in	mm	in	mm	in	mm
01	10-40	.125	3.2	.250	6.4	.312	7.9	07	20-40	.875	22.2	1.000	25.4	1.062	27.0
31	10-40	.188	4.8	.312	7.9	.375	9.5	37	22-40	.938	23.8	1.062	27.0	1.125	28.6
02	10-40	.250	6.4	.375	9.5	.438	11.1	08	20-40	1.000	25.4	1.125	28.6	1.188	30.2
32	10-40	.312	7.9	.438	11.1	.500	12.7	38	24-40	1.062	27.0	1.188	30.2	1.250	31.8
03	10-40	.375	9.5	.500	12.7	.562	14.3	09	28-40	1.125	28.6	1.250	31.8	1.312	33.3
33	14-40	.438	11.1	.562	14.3	.625	15.9	10	32-40	1.250	31.8	1.375	34.9	1.438	36.5
04	14-40	.500	12.7	.625	15.9	.687	17.4	11	32-40	1.375	34.9	1.500	38.1	1.562	39.7
34	14-40	.562	14.3	.688	17.5	.750	19.1	12	32-40	1.500	38.1	1.625	41.3	1.688	42.9
05	16-40	.625	15.9	.750	19.1	.812	20.6	13	36-40	1.625	41.3	1.750	44.5	1.812	46.0
35	18-40	.688	17.5	.812	20.6	.875	22.2	14	36-40	1.750	44.5	1.875	47.6	1.938	49.2
06	18-40	.750	19.1	.875	22.2	.938	23.8	15	40	1.875	47.6	2.000	50.8	2.062	52.4
36	20-40	.812	20.6	.938	23.8	1.000	25.4	16	40	2.000	50.8	2.125	54.0	2.188	55.6

Series 44 Banding Backshells

for Series ITS, VG95234 Connectors

440R*030 Banding Backshell, Shrink Boot



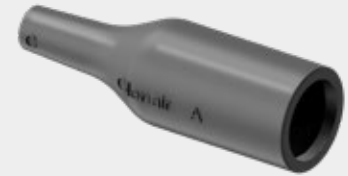
Shell Size Code	Shell Size	A Thread Class 2B	øC Max in mm	E Max in mm	F Max in mm	G Max in mm	H Max in mm	Max. Entry Size
10	10SL	0.6250-24 UNEF	.850 21.6	.982 24.9	1.100 27.9	1.184 30.1	1.304 33.1	03
14	14S	0.7500-20 UNEF	1.000 25.4	.995 25.3	1.115 28.3	1.215 30.9	1.335 33.9	04
16	16, 16S	0.8750-20 UNEF	1.130 28.7	1.021 25.9	1.141 29.0	1.287 32.7	1.398 35.5	05
18	18	1.0000-20 UNEF	1.380 35.1	1.047 26.6	1.167 29.6	1.340 34.0	1.460 37.1	06
20	20	1.1250-18 UNEF	1.500 38.1	1.073 27.3	1.193 30.3	1.402 35.6	1.523 38.7	07
22	22	1.2500-18 UNEF	1.630 41.4	1.099 27.9	1.219 31.0	1.465 37.2	1.585 40.3	07
24	24	1.3750-18 UNEF	1.750 44.5	1.133 28.8	1.253 31.8	1.548 39.3	1.668 42.4	38
28	28	1.6250-18 UNEF	1.980 50.3	1.177 29.9	1.297 32.9	1.653 42.0	1.773 45.0	09
32	32	1.8750-16 UN	2.230 56.6	1.229 31.2	1.349 34.3	1.778 45.2	1.898 48.2	12
36	36	2.0625-16 UNS	2.480 63.0	1.267 32.2	1.387 35.2	1.871 47.5	1.991 50.6	14
40	40	2.3125-16 UNS	2.730 69.3	1.332 33.8	1.452 36.9	2.028 51.5	2.148 54.6	16

SHRINK BOOT

Optional heatshrink boot provides environmental protection and cable strain relief.

Code T: Type 1 high-performance semi-rigid elastomer resists fuels and oils and withstands temperature extremes. Operating temperature range -75 to +150 °C.

Code S: Type 2 halogen-free polyolefin meets low smoke and toxicity requirements of shipboard, transit and aircraft systems. Operating temperature range -40 to +130 °C.



Entry Sizes	Shrink Boot P/N	Zero Halogen Shrink Boot P/N
01-31	770-003S111	770-003S211
02	770-003S112	770-003S212
32-03	770-001S103	770-001S203
33-05	770-001S104	770-001S204
35-07	770-001S105	770-001S205
37-08	770-001S106	770-001S206
38-11	770-001S107	770-001S207
12-14	770-001S108	770-001S208
15-16	770-001S109	770-001S209

BAND

Optional SST band strap provides fast, cost-effective and highly reliable termination of braided metallic shielding.



Band
601-041



Banding Tool
601-100

POLYSULFIDE

Optional selective electroless nickel plating on shield termination area and polysulfide dielectric barrier prevents galvanic mismatch between nickel-coated braid shield and backshell.

⚠ Plating codes NF, ZR and TZ only

