

Series 44 Banding Backshells

for Series 970 PowerTrip® Connectors

440P*069 Banding Backshell, Shrink Boot, Self-Locking



Self-Locking

Adapter Code P

This accessory fits Glenair Series 970 PowerTrip Connectors

TABLE 1: ENTRY SIZE

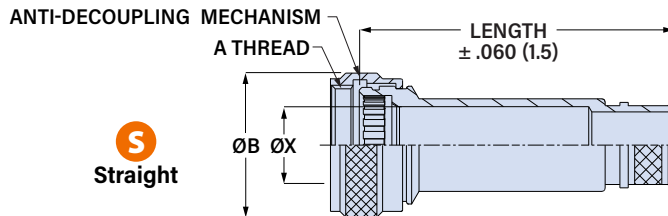
Entry Size	Shell Sizes*	ØN		ØP		ØR	
		in	mm	in	mm	in	mm
01	18-40	.125	3.2	.250	6.4	.312	7.9
31	18-40	.188	4.8	.312	7.9	.375	9.5
02	18-40	.250	6.4	.375	9.5	.438	11.1
32	18-40	.312	7.9	.438	11.1	.500	12.7
03	18-40	.375	9.5	.500	12.7	.562	14.3
33	18-40	.438	11.1	.562	14.3	.625	15.9
04	18-40	.500	12.7	.625	15.9	.687	17.4
34	18-40	.562	14.3	.688	17.5	.750	19.1
05	18-40	.625	15.9	.750	19.1	.812	20.6
35	18-40	.688	17.5	.812	20.6	.875	22.2
06	20-40	.750	19.1	.875	22.2	.938	23.8
36	20-40	.812	20.6	.938	23.8	1.000	25.4
07	24-40	.875	22.2	1.000	25.4	1.062	27.0
37	24-40	.938	23.8	1.062	27.0	1.125	28.6
08	24-40	1.000	25.4	1.125	28.6	1.188	30.2
38	28-40	1.062	27.0	1.188	30.2	1.250	31.8
09	28-40	1.125	28.6	1.250	31.8	1.312	33.3
10	28-40	1.250	31.8	1.375	34.9	1.438	36.5
11	32-40	1.375	34.9	1.500	38.1	1.562	39.7
12	32-40	1.500	38.1	1.625	41.3	1.688	42.9
13	32-40	1.625	41.3	1.750	44.5	1.812	46.0
14	36-40	1.750	44.5	1.875	47.6	1.938	49.2
15	40	1.875	47.6	2.000	50.8	2.062	52.4
16	40	2.000	50.8	2.125	54.0	2.188	55.6
17	-	2.125	54.0	2.250	57.2	2.313	58.8
18	-	2.250	57.2	2.375	60.3	2.438	61.9
19	-	2.375	60.3	2.500	63.5	2.563	65.1
20	-	2.500	63.5	2.625	66.7	2.688	68.3

*If selected entry size exceeds shell size range, a Style 2 transition adapter will be included. See Maximum Entry Size for details.

Band-Master ATS® shield termination. Straight, 45° or 90°. 440P*069 banding backshell fits Glenair Series 970 PowerTrip connectors. Anti-decoupling mechanism provides audible detented coupling and prevents backoff under high vibration. Terminate braid shield with optional band strap. Shrink boot provides environmental protection and strain relief. Aluminum version has thermoplastic detent spring, stainless steel version has stainless steel detent spring.

PART NUMBER

440PS069	NF	20	05	-8	K	P	T
Base P/N	Base Part No. Profile						
	440PS069 S Straight						
	440PM069 M 45°						
	440PN069 N 90°						
Material/Finish	ME Alum/ Electroless Nickel						
	MT Alum/ Nickel-PTFE						
	NF Alum/ Olive Drab Cadmium						
	ZR Alum/ Black Zinc-Nickel						
	TZ Alum/ Tin-Zinc						
	ZI SST/ Passivated						
Shell Size	18 20 24 28 32 36 40						
Entry Size	See Table 1						
Length	4	2 inches	<i>Applies to Profile S only. If selected Entry Size is greater than Maximum Entry Size (see next page), then 3 inch minimum applies.</i>				
	6	3 inches					
	8	4 inches					
	10	5 inches					
	12	6 inches					
Band	<i>Omit if not required</i>						
	K Pre-Coiled Band is included with backshell						
Polysulfide	<i>Omit if not required. Applies to Plating Codes NF, ZR, TZ only.</i>						
	P Nickel Plated Shield Termination Area with Polysulfide Barrier						
Shrink Boot	<i>Omit if not required</i>						
	T Standard Shrink Boot						
	S Zero Halogen Shrink Boot						



S
Straight

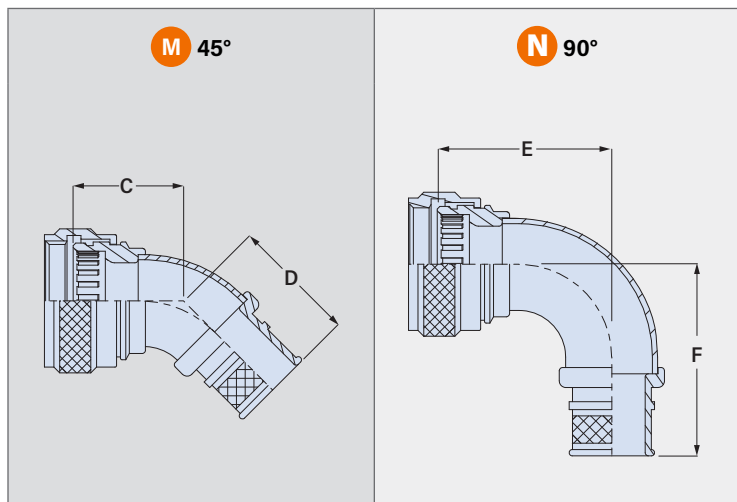
Shell Size	A Thread	Ø B Max. in	mm	X Min. in	mm	Max. Entry Size(1)
18	1.125-18 UNEF-2B	1.39	35.3	.724	18.4	35
20	1.250-18 UNEF-2B	1.53	38.9	.858	21.8	36
24	1.4375-18 UNEF-2B	1.72	43.7	1.043	26.5	08
28	1.8125-16 UN-2B	2.13	54.1	1.353	34.4	10
32	2.0625-16 UNS-2B	2.35	59.7	1.620	41.2	13
36	2.250-16 UN-2B	2.59	65.8	1.823	46.3	14
40	2.500-16 UN-2B	2.87	70.6	2.050	52.1	16

(1) If the Entry Size exceeds "Max. Entry Size", a front adapter will be included. See "Maximum Entry Size" on next page.

Series 44 Banding Backshells

for Series 970 PowerTrip® Connectors

440P*069 Banding Backshell, Shrink Boot, Self-Locking



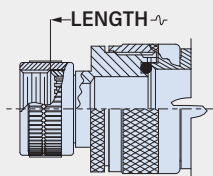
Shell Size	C Max. in	C Max. mm	D Max. in	D Max. mm	E Max. in	E Max. mm	F Max. in	F Max. mm
18	1.250	31.8	2.468	62.7	1.906	48.4	1.812	46.0
20	1.312	33.3	2.657	67.5	2.031	51.6	1.938	49.2
24	1.406	35.7	3.063	77.8	2.281	57.9	2.188	55.6
28	1.500	38.1	3.656	92.9	2.531	64.3	2.625	66.7
32	1.675	42.5	3.845	97.7	2.625	66.7	2.895	73.5
36	1.799	45.7	4.230	107.4	2.875	73.0	3.145	79.9
40	1.861	47.3	4.459	113.3	3.025	76.8	3.295	83.7

MAXIMUM ENTRY SIZE

If the selected entry size exceeds the maximum size in this table, the backshell will have a front adapter. This is called a **Style 2** backshell.

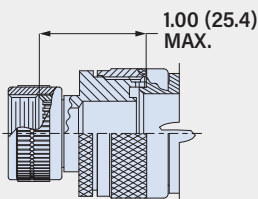
Shell Size	Maximum Entry Size
18	35
20	36
24	08
28	10
32	13
36	14
40	16

Style 2 Straight Backshell



Style 2 profile **S** straight backshell minimum length code is 6 (3 inches).

Style 2 45° and 90° Backshells



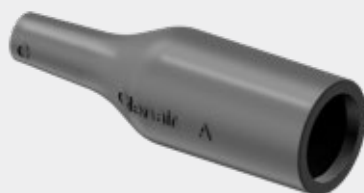
For Profile **M** and **N** 45° and 90° backshells, the front adapter adds 1 inch.

SHRINK BOOT

Optional heatshrink boot provides cable strain relief and environmental protection.

Standard Type 1 high-performance semi-rigid elastomer resists fuels and oils. Operating temperature range -75 to +150 °C.

Zero Halogen Type 2 high-performance semi-flexible polyolefin meets low smoke and toxicity requirements. Operating temperature range -40 to +130 °C.



Entry Sizes	Shrink Boot Part Number	
	Standard	Zero Halogen
01-31	770-003S111	770-003S211
02-32	770-003S112	770-003S212
03	770-001S103	770-001S203
33-35	770-001S104	770-001S204
06-37	770-001S105	770-001S205
08-38	770-001S106	770-001S206
09-12	770-001S107	770-001S207
13-14	770-001S108	770-001S208
15-16	770-001S109	770-001S209
17-20	770-001S110	770-001S210

SHIELD BAND

Optional SST band strap provides fast, cost-effective and highly reliable termination of braided metallic shielding. The Band-Master ATS® Advanced Cable Shield Termination System is the overwhelming favorite throughout the military aerospace and defense industries, providing excellent static loading and corrosion resistance in electrical wire interconnect systems.



Entry Sizes	Pre-Coiled Band P/N	Length	Max Diameter
01 - 36	601-006	9.00 (229)	1.00 (25.4)
07 - 13	601-041	14.25 (362)	1.80 (45.7)
14 - 20	601-050	18.00 (457)	2.50 (63.5)

POLYSULFIDE

Optional selective electroless nickel plating on shield termination area and polysulfide dielectric barrier prevents galvanic mismatch between nickel-coated braid shield and backshell.

⚠ Plating codes NF, ZR and TZ only

