

Series 44 Banding Backshells

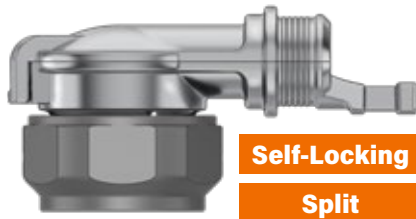
for Series 80 Mighty Mouse Connectors

440M*143 Banding Backshell, Composite, Ultra Low Profile 90°



Self-Locking

Solid



Self-Locking

Split

Adapter Code **M**

This accessory fits Series 80 Mighty Mouse Connectors

BAND

Optional SST band strap provides fast, cost-effective and highly reliable termination of braided metallic shielding.



Band P/N	Length
601-060	8.13 (206)

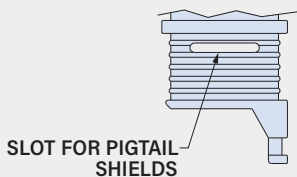
SHRINK BOOT

Optional heatshrink boot provides cable strain relief and environmental protection. Type 1 high-performance semi-rigid elastomer resists fuels and oils. Operating temperature range -75 to +150 °C.



FIGURE 1: SLOTS

Optional pigtail shield termination slots are located on banding platform. Profile E split version has one slot. Profile W solid version has two slots.



Ultra low-profile 90°. Composite. Self-locking. Micro band. Qwik-Ty®. 440M*143 EMI band backshell fits Glenair Series 80 Mighty Mouse connectors. Lightweight, corrosion-free composite material meets AS85049 requirements. Split version has lid for wiring access. Anti-decoupling mechanism provides audible detented coupling and prevents backoff under high vibration. Terminate cable braid shield to backshell with optional micro band strap. Optional shrink boot adds strain relief. Glass-reinforced thermoplastic.

PART NUMBER

	440ME143	XM	09	D	B	T	S
Base P/N	440ME143	XM	09	D	B	T	S
Base Part No.	440ME143	E	90° Split				
Profile	440MW143	W	90° Solid				
Finish	XM Electroless Nickel	XMT Nickel-PTFE	XW Olive Drab Cadmium	XZN Black Zinc-Nickel	<i>Coupling nut is unplated, black color.</i>		
Size Code	07 09 12 14 16 17	<i>See table 1</i>					
Drain Holes	<i>Omit if not required</i>	D Drain Holes					
Band	<i>Omit if not required</i>	B Micro Band Included					
Shrink Boot	<i>Omit if not required</i>	T Shrink Boot Included					
Slot	<i>Omit if not required. See Figure 1.</i>						
	S Pigtail Termination Slots						

W Solid

E Split

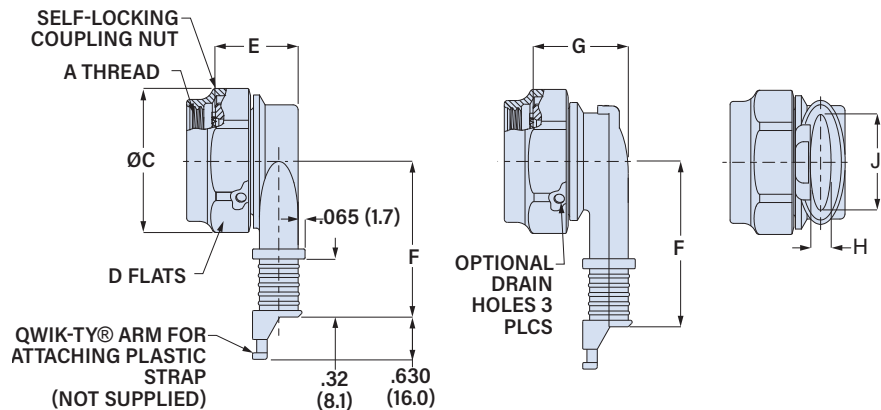


TABLE 1: SIZE CODE

Shell Size Code	Series 800, 801, 803, 804	Series 805	A Thread UNEF-2B	øC Max in mm	Hex Flats in mm	D in mm	E Max in mm	F ±.03(2.3) in mm	G Max in mm	H ±.06(1.5) in mm	J ±.09(2.3) in mm
07	7	9	0.4375-28	.86	21.8	.750	19.1	.63	16.0	1.042	26.5
09	9	11	0.5625-24	.98	24.9	.875	22.3	.66	16.8	1.107	28.1
12	11, 12, 13	13	0.6875-24	1.16	29.5	1.000	25.4	.72	18.3	1.174	29.8
14	14, 15, 16, 17	18, 19	0.9375-20	1.41	35.8	1.250	31.8	.91	23.1	1.305	33.1
16	19	21	1.0625-18	1.52	38.6	1.375	34.9	.93	23.6	1.371	34.8
17	21	23	1.1875-18	1.64	41.7	1.500	38.1	1.04	26.4	1.438	36.5