

Series 44 Banding Backshells

for MIL-DTL-26482 Series I Connectors

440D*031 Banding Backshell, Shrink Boot, Direct Coupling

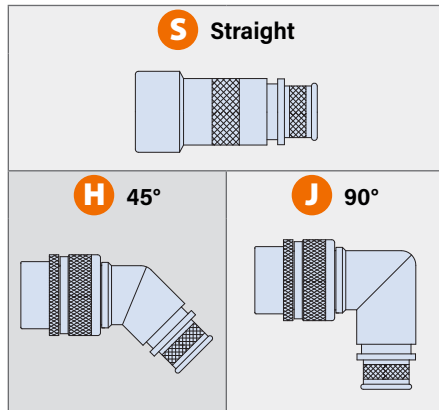


Banding. Direct coupling. 440D*031 banding backshell fits M26482 Series I connectors. Direct coupling. Terminate cable braid shield to backshell with optional band strap. Optional shrink boot adds strain relief and environmental protection. Available in aluminum or stainless steel. Silicone O-rings.

Adapter Code **D**

This accessory fits MIL-DTL-26482 Series I connectors

PROFILE SELECTION GUIDE



PART NUMBER		440DS031	NF	08	03-	4	K	T
Base P/N	Base Part No.	440DS031	S	Straight				
		440DH031	H	45°				
		440DJ031	J	90°				
Material/Finish	M	Alum/ Electroless Nickel						
	MT	Alum/ Nickel-PTFE						
	NF	Alum/ Olive Drab Cadmium						
	ZR	Alum/ Black Zinc-Nickel						
	TZ	Alum/ Tin-Zinc						
	ZI	SST/ Passivated						
Shell Size	08 10 12 14 16 18 20 22 24							
Entry Size	See Table 1							
Length	3	1.5 inches	Applies to Profile S only.					
	4	2.0 inches	1.5 inch minimum. If Entry Size is greater than "Max. Entry Size" in table, then 2 inch minimum applies.					
	6	3.0 inches						
	8	4.0 inches						
Band	Omit if not required							
	K	Pre-Coiled Band Included With Backshell						
Shrink Boot	Omit if not required							
	T	Shrink Boot Included With Backshell						

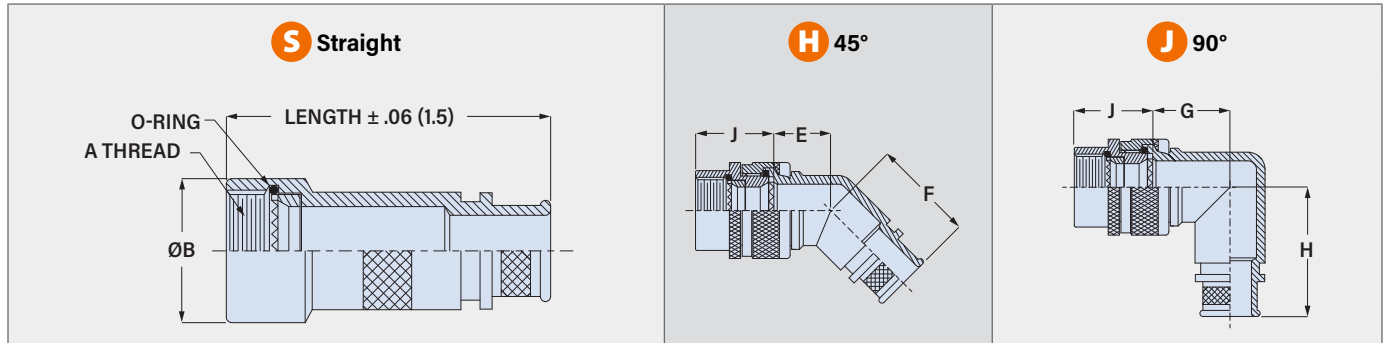
TABLE 1: ENTRY SIZE

Entry Size	Shell Sizes	±.015 (0.4)		±.030 (0.8)		±.015 (0.4)		Entry Size	Shell Sizes	±.015 (0.4)		±.030 (0.8)		±.015 (0.4)	
		in	mm	in	mm	in	mm			in	mm	in	mm	in	mm
01	08-24	.125	3.2	.250	6.4	.312	7.9	07	18-24	.875	22.2	1.000	25.4	1.062	27.0
31	08-24	.188	4.8	.312	7.9	.375	9.5	37	20-24	.938	23.8	1.062	27.0	1.125	28.6
02	08-24	.250	6.4	.375	9.5	.438	11.1	08	20-24	1.000	25.4	1.125	28.6	1.188	30.2
32	10-24	.312	7.9	.438	11.1	.500	12.7	38	22-24	1.062	27.0	1.188	30.2	1.250	31.8
03	10-24	.375	9.5	.500	12.7	.562	14.3	09	22-24	1.125	28.6	1.250	31.8	1.312	33.3
33	12-24	.438	11.1	.562	14.3	.625	15.9	10	24	1.250	31.8	1.375	34.9	1.438	36.5
04	12-24	.500	12.7	.625	15.9	.687	17.4	11	-	1.375	34.9	1.500	38.1	1.562	39.7
34	14-24	.562	14.3	.688	17.5	.750	19.1	12	-	1.500	38.1	1.625	41.3	1.688	42.9
05	14-24	.625	15.9	.750	19.1	.812	20.6	13	-	1.625	41.3	1.750	44.5	1.812	46.0
35	16-24	.688	17.5	.812	20.6	.875	22.2	14	-	1.750	44.5	1.875	47.6	1.938	49.2
06	16-24	.750	19.1	.875	22.2	.938	23.8	15	-	1.875	47.6	2.000	50.8	2.062	52.4
36	18-24	.812	20.6	.938	23.8	1.000	25.4	16	-	2.000	50.8	2.125	54.0	2.188	55.6

Series 44 Banding Backshells

for MIL-DTL-26482 Series I Connectors

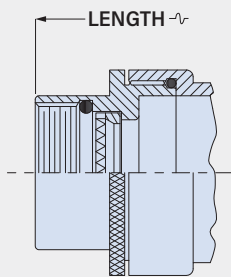
440D*031 Banding Backshell, Shrink Boot, Direct Coupling



Shell Size	A Thread UNEF-2B	ØB Max. in	mm	J Max. in	mm	Max. Entry Size (1)
08	0.4375-28	.59	15.0	1.25	31.8	02
10	0.5625-24	.72	18.3	1.25	31.8	03
12	0.6875-24	.84	21.3	1.25	31.8	04
14	0.8125-20	.97	24.6	1.25	31.8	05
16	0.9375-20	1.09	27.7	1.56	39.6	06
18	1.0625-18	1.22	31.0	1.56	39.6	07
20	1.1875-18	1.34	34.0	1.56	39.6	08
22	1.3125-18	1.47	37.3	1.56	39.6	09
24	1.4375-18	1.59	40.4	1.56	39.6	10

Entry Size	E Max in	mm	F Max in	mm	G Max in	mm	H Max in	mm
01	.625	15.9	.940	23.9	.732	18.6	1.078	27.4
02, 31	.625	15.9	.940	23.9	.732	18.6	1.078	27.4
03, 32	.688	17.5	1.000	25.4	.757	19.2	1.108	28.1
04, 33	.711	18.1	1.050	26.7	.781	19.8	1.128	28.7
05, 34	.781	19.8	1.150	29.2	.825	21.0	1.178	29.9
06, 35	.841	21.4	1.188	30.2	.896	22.8	1.190	30.2
07, 36	.866	22.0	1.208	30.7	1.093	27.8	1.250	31.8
08, 37	.893	22.7	1.248	31.7	1.250	31.8	1.320	33.5
09, 38	.916	23.3	1.278	32.5	1.312	33.3	1.380	35.1
10	1.134	28.8	1.448	36.8	1.375	34.9	1.500	38.1
11	1.134	28.8	1.448	36.8	1.375	34.9	1.500	38.1
12	1.185	30.1	1.488	37.8	1.687	42.8	1.620	41.1
13	1.185	30.1	1.488	37.8	1.687	42.8	1.620	41.1
14	1.225	31.1	1.538	39.1	1.812	46.0	1.750	44.5
15	1.225	31.1	1.538	39.1	1.812	46.0	1.750	44.5
16	1.225	31.1	1.788	45.4	1.812	46.0	2.000	50.8

STYLE 2 BACKSHELL



"Max. Entry Size" applies only to straight profile backshells. If the selected entry size is larger than the size shown in the table above, a Style 2 adapter will be included. The minimum length code increases from 3 (1 1/2 inches) to 4 (2 inches).

BAND

Optional SST band strap provides fast, cost-effective and highly reliable termination of braided metallic shielding.



SHRINK BOOT

Optional heatshrink boot provides environmental protection and cable strain relief. Type 1 high-performance semi-rigid elastomer resists fuels and oils and withstands temperature extremes. Operating temperature range -75 to +150 °C.

