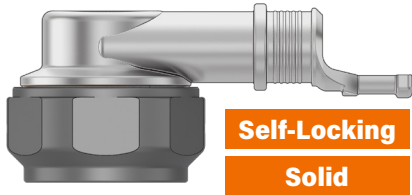


# Series 44 Banding Backshells

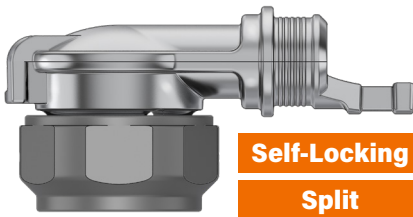
for AS50151 Crimp, M26482 Series II, M83723 Series III, AS95234

## 440A\*143 Banding Backshell, Composite, Shrink Boot, Ultra Low-Profile 90°



Self-Locking

Solid



Self-Locking

Split

### Adapter Code **A**

AS50151 crimp, AS95234, MIL-DTL-26482 Ser. II, MIL-DTL-83723 Ser. III

### BAND

Optional SST band strap provides fast, cost-effective and highly reliable termination of braided metallic shielding.



Band P/N	Length
601-060	8.13 (206)

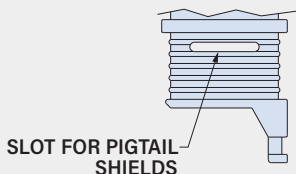
### SHRINK BOOT

Optional heatshrink boot provides environmental protection and cable strain relief. Type 1 high-performance semi-rigid elastomer resists fuels and oils. Operating temperature range -75 to +150 °C.



### FIGURE 1: SLOTS

Optional pigtail shield termination slots are located on banding platform. Profile E split version has one slot. Profile W solid version has two slots.

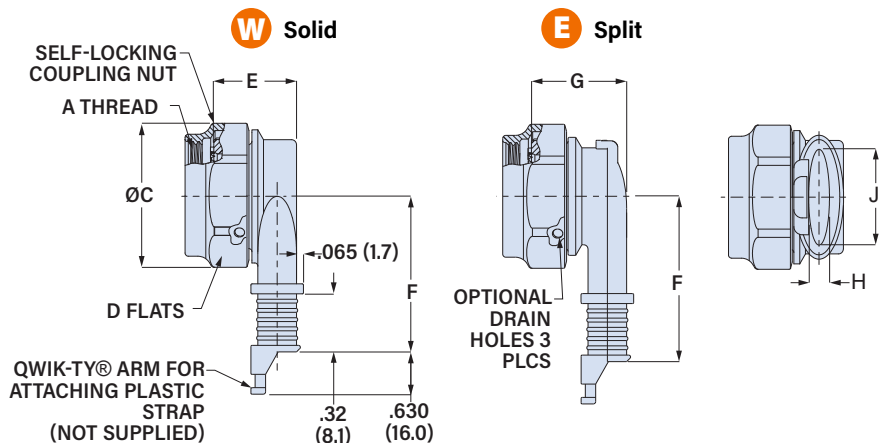


SLOT FOR PIGTAIL SHIELDS

**Ultra low-profile 90°. Composite. Self-locking. Micro band. Elliptical entry. Qwik-Ty®.** 440A\*143 banding backshell fits AS50151 crimp (MS3450), AS95234, MIL-DTL-26482 Series II, MIL-DTL-83723 Series III connectors. Lightweight, corrosion-free composite material meets AS85049 requirements. Split version has lid for wiring access. Anti-decoupling mechanism provides audible detented coupling and prevents backoff under high vibration. Terminate cable braid shield to backshell with optional micro band strap. Optional shrink boot adds strain relief. Glass-reinforced thermoplastic.

### PART NUMBER

	440AW143	XM	18	D	B	T	S
Base P/N	440AE143	E	90° Split				
	440AW143	W	90° Solid				
Finish	XM	Electroless Nickel					
	XMT	Nickel-PTFE					
	XW	Olive Drab Cadmium					
	XTZ	Tin-Zinc					
	Coupling nut is unplated, black color.						
Shell Size	08	10	12	14	16	18	20
	22	24					
Drain Holes	Omit if not required						
	D	Drain Holes					
Band	Omit if not required						
	B	Micro Band Included (supplied flat/uncoiled)					
Shrink Boot	Omit if not required						
	T	Shrink Boot Included					
Slot	Omit if not required. See Figure 1.						
	S	Pigtail Termination Slots					



Shell Size	Profile	A Thread Class 2B	øC Max in mm	D Hex Flats in mm	E Max in mm	F ±.03 (0.8) in mm	G Max in mm	H ±.06 (1.5) in mm	J ±.09 (2.3) in mm							
08	E, W	0.500-20 UNF	.86	21.8	.750	19.1	.63	16.0	1.042	26.5	.81	20.6	.160	4.1	.304	7.7
10	E, W	0.625-24 UNEF	.98	24.9	.875	22.2	.66	16.8	1.107	28.1	.81	20.6	.174	4.4	.432	11.0
12	E, W	0.750-20 UNEF	1.16	29.5	1.000	25.4	.72	18.3	1.174	29.8	.82	20.8	.195	5.0	.546	13.9
14	E, W	0.875-20 UNEF	1.28	32.5	1.125	28.6	.83	21.1	1.241	31.5	.88	22.4	.315	8.0	.670	17.0
16	E, W	1.000-20 UNEF	1.41	35.8	1.250	31.8	.91	23.1	1.305	33.1	.93	23.6	.385	9.8	.796	20.2
18	E, W	1.0625-18 UNEF	1.52	38.6	1.375	34.9	.93	23.6	1.371	34.8	.99	25.1	.445	11.3	.902	22.9
20	E, W	1.1875-18 UNEF	1.64	41.7	1.500	38.1	1.04	26.4	1.438	36.5	1.06	26.9	.525	13.3	1.027	26.1
22	E, W	1.3125-18 UNEF	1.77	45.0	1.625	41.3	1.12	28.4	1.505	38.2	1.13	28.7	.595	15.1	1.152	29.3
24	E	1.4375-18 UNEF	1.89	48.0	1.750	44.5	N/A	N/A	1.850	47.0	1.05	26.7	.450	11.4	1.460	37.1
24	W	1.4375-18 UNEF	1.89	48.0	2.000	50.8	1.18	30.0	1.572	39.9	N/A	N/A	.655	16.6	1.276	32.4