

Series 39 EMI+Environmental Backshells

for Series 80 Mighty Mouse Connectors

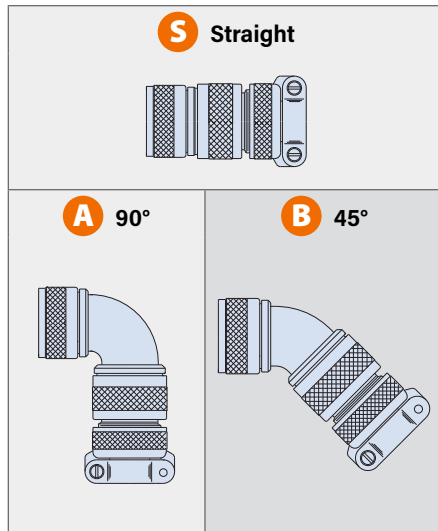
390M*077 EMI+Environmental Backshell, Spin Coupling



Adapter Code **M**

This accessory fits Series 80 Mighty Mouse Connectors

PROFILE SELECTION GUIDE



EMI. Low profile. Environmental. Spin coupling. 390M*077 backshell fits Glenair Series 80 Mighty Mouse connectors. O-rings provide watertight cable and connector sealing. Terminate cable shield braid with ground ring. Cable clamp has stainless steel screws and lockwashers. Available in aluminum or stainless steel. Silicone O-rings.

PART NUMBER

	390MS077	MT	13	08	-8	
Base P/N	Base Part No. Profile 390MS077 S Straight 390MB077 B 45° 390MA077 A 90°					
Material/Finish	M Alum/Electroless Nickel MT Alum/Nickel-PTFE NF Alum/Olive Drab Cadmium ZR Alum/Black Zinc-Nickel TZ Alum/Tin-Zinc Z1 SST/Passivated					
Shell Size	See Table 1					
Entry Size	See Table 2					
Length	Length Code 5 6 8	Length .63 (16.0) .75 (19.1) 1.00 (25.4)	Length Code 10 12 16	Length 1.25 (31.8) 1.50 (38.1) 2.00 (50.8)	<i>Length applies to Profile S (straight) only. In 1/8 inch increments.</i>	
Strain Relief	Omit for saddle clamp N Low Profile Nut					

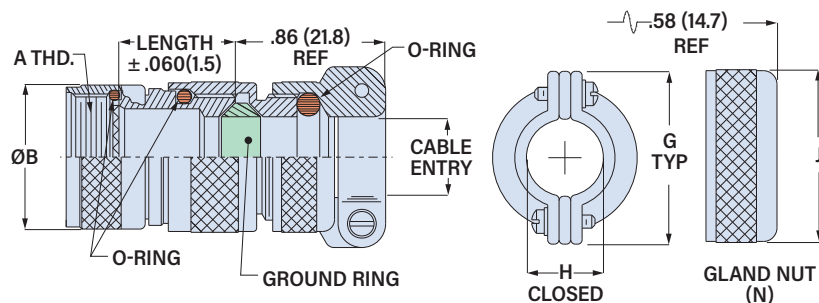


TABLE 1: SHELL SIZE

Shell Size Code	Shell Size		A Thread UNEF-2B	øB Max.	
	Series 800, 801, 803, 804	Series 805		in	mm
05	5	N/A	0.250-32	.470	11.9
06	6	N/A	0.3125-32	.530	13.5
11	N/A	8	0.3750-32	.570	14.5
07	7	9	0.4375-28	.637	16.2
08	8	10	0.500-28	.700	17.8
09	9	11	0.5625-24	.758	19.3
10	10	12	0.625-24	.819	20.8
12	11, 12, 13	13	0.6875-24	.896	22.8
13	N/A	15	0.750-20	.930	23.6
14	14, 15, 16, 17	18, 19	0.9375-20	1.137	28.9
16	19	21	1.0625-18	1.230	31.2
17	21	23	1.1875-18	1.387	35.2

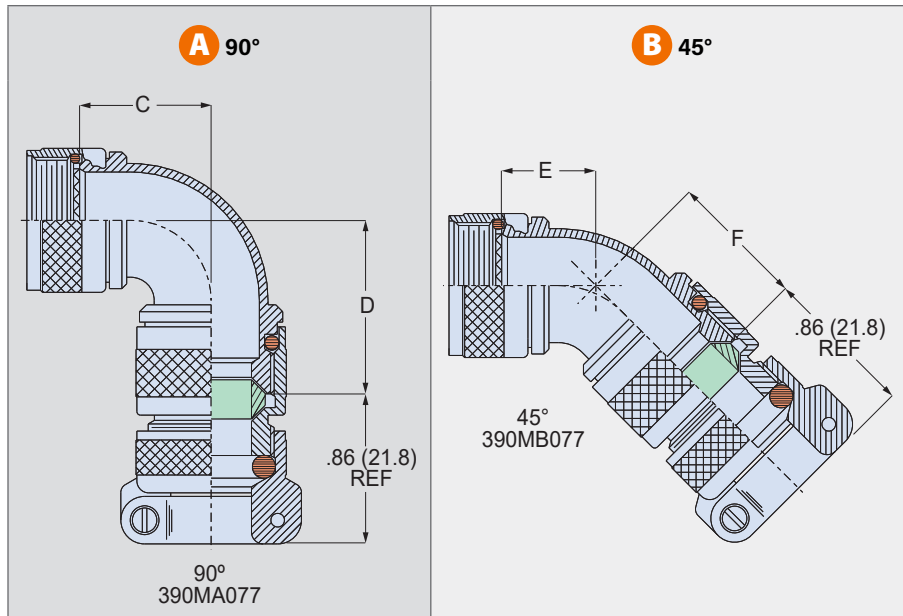
TABLE 2: ENTRY SIZE

Entry Size	Cable Entry		G		øH Closed		øJ			
	Min.	Max.	± .015 (0.4)	± .03 (0.8)	± .03 (0.8)	± .05 (1.3)	± .05 (1.3)	± .05 (1.3)		
01	.031	0.8	.109	2.8	.496	12.6	.11	2.8	.398	10.1
02	.078	2.0	.172	4.4	.582	14.8	.17	4.3	.460	11.7
03	.140	3.6	.234	5.9	.656	16.7	.23	5.8	.523	13.3
04	.203	5.2	.297	7.5	.726	18.4	.30	7.6	.585	14.9
05	.265	6.7	.359	9.1	.885	22.5	.36	9.1	.647	16.4
06	.328	8.3	.422	10.7	.952	24.2	.42	10.7	.710	18.0
07	.390	9.9	.484	12.3	1.018	25.9	.48	12.2	.773	19.6
08	.453	11.5	.547	13.9	1.084	27.5	.55	14.0	.835	21.2
09	.515	13.1	.609	15.5	1.148	29.2	.61	15.5	.897	22.8
10	.578	14.7	.672	17.1	1.211	30.8	.67	17.0	.959	24.4
11	.640	16.3	.734	18.6	1.273	32.3	.73	18.5	1.021	25.9
12	.765	19.4	.859	21.8	1.400	35.6	.86	21.8	1.083	27.5
13	.906	23.0	1.000	25.4	1.539	39.1	.99	25.1	1.145	29.1

Series 39 EMI+Environmental Backshells

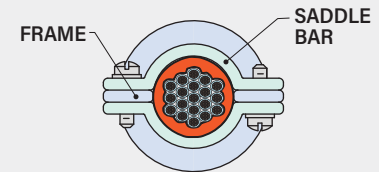
for Series 80 Mighty Mouse Connectors

390M*077 EMI+Environmental Backshell, Spin Coupling



APPLICATION NOTE

This backshell has a *full radius* saddle clamp. This type of strain relief is designed to be fully closed. Saddle bars should be bottomed onto frame. Build up cable diameter with tape or sleeve to meet the diameter of the fully closed clamp.



FULL RADIUS SADDLE CLAMP
SADDLE BARS SHOULD BE FULLY BOTTOMED ONTO FRAME.

Entry Size	C Max.		D Max.		E Max.		F Max.	
	in	mm	in	mm	in	mm	in	mm
01	.724	18.4	.802	20.4	.603	15.3	.681	17.3
02	.724	18.4	.802	20.4	.603	15.3	.681	17.3
03	.724	18.4	.802	20.4	.603	15.3	.681	17.3
04	.786	20.0	.864	21.9	.629	16.0	.707	18.0
05	.786	20.0	.864	21.9	.629	16.0	.707	18.0
06	.848	21.5	.926	23.5	.655	16.6	.733	18.6
07	.848	21.5	.926	23.5	.655	16.6	.733	18.6
08	.911	23.1	.989	25.1	.707	18.0	.785	19.9
09	.911	23.1	.989	25.1	.707	18.0	.785	19.9
10	.973	24.7	1.055	26.8	.733	18.6	.811	20.6
11	.973	24.7	1.055	26.8	.733	18.6	.811	20.6
12	1.036	26.3	1.114	28.3	.785	19.9	.863	21.9
13	1.098	27.9	1.176	29.9	.811	20.6	.889	22.6