

# Series 38 EMI Backshells

for Series 806 Mil/Aero Connectors

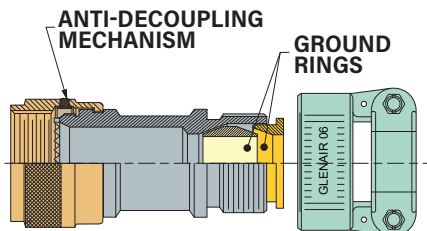
## 380V\*143 EMI Backshell, Self-Locking



Self-Locking

Adapter Code **V**

This accessory fits Glenair Series 806 Mil-Aero Connectors



### PROFILE SELECTION GUIDE

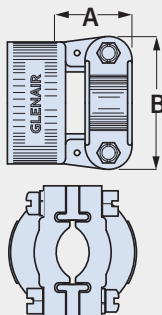
<p><b>S</b> Straight</p>	
<p><b>H</b> 45°</p>	<p><b>J</b> 90°</p>
<p><b>M</b> 45°</p>	<p><b>N</b> 90°</p>

**EMI shielding. Self-locking. Straight, 45° or 90°.** 380V\*143 backshells fit Glenair Series 806 connectors. Two ground rings for terminating individual and overall braid shields. Anti-decoupling mechanism provides audible detented coupling and prevents backoff under high vibration. Non-environmental. Type H heavy duty saddle clamp has stainless steel telescoping fillister head screws and lockwashers. Available in aluminum or stainless steel.

### PART NUMBER

		<b>380VS143</b>	<b>ME</b>	<b>14</b>	<b>06</b>	<b>H</b>	<b>3</b>
Base P/N	Base Part No.	Profile					
	<b>380VS143</b>	<b>S</b>	Straight				
	<b>380VH143</b>	<b>H</b>	45° Cut/Weld				
	<b>380VJ143</b>	<b>J</b>	90° Cut/Weld				
	<b>380VM143</b>	<b>M</b>	45° Full Radius				
	<b>380VN143</b>	<b>N</b>	90° Full Radius				
Material/Finish	<b>ME</b>	Alum/Electroless Nickel					
	<b>MT</b>	Alum/Nickel-PTFE					
	<b>NF</b>	Alum/Olive Drab Cadmium					
	<b>ZR</b>	Alum/Black Zinc-Nickel					
	<b>TZ</b>	Alum/Tin-Zinc					
	<b>ZI</b>	SST/Passivated					
Shell Size	<b>08 09 10 11 12 14 16 18 20 22 24</b>						
Entry Size	Entry Size	Max. Cable Dia.	Shell Size*	Entry Size	Max. Cable Dia.	Shell Size*	
	<b>03</b>	.250 (7.9)	08-24	<b>16</b>	.937 (23.8)	20-24	
	<b>04</b>	.312 (7.9)	09-24	<b>20</b>	1.250 (31.8)	-	
	<b>06</b>	.437 (11.1)	11-24	<b>24</b>	1.375 (34.9)	-	
	<b>08</b>	.562 (14.3)	14-24	<b>28</b>	1.625 (41.3)	-	
	<b>10</b>	.625 (15.9)	16-24	<b>32</b>	1.875 (47.6)	-	
	<b>12</b>	.750 (19.1)	18-24				
* If selected entry size exceeds shell size range, a Style 2 transition adapter will be included. See Maximum Entry Size for details.							
Strain Relief	<b>H</b>	Saddle Clamp					
Length	<b>3</b>	1.5 inches	Applies to Profile <b>S</b> only.				
	<b>4</b>	2.0 inches	If Entry Size is greater than "Maximum Entry Size" (see next page), then				
	<b>6</b>	3.0 inches	2 inch minimum applies.				
	<b>8</b>	4.0 inches					

### STRAIN RELIEF DIMENSIONS

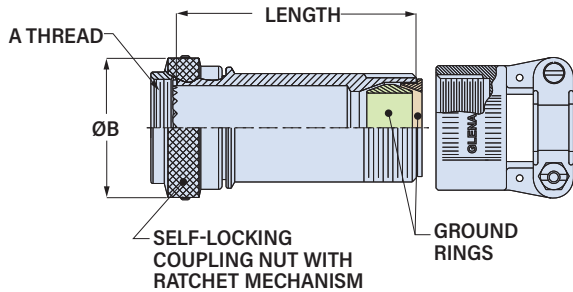


Entry Size	Cable Range							
	A Max		B Max		Min		Max	
	in	mm	in	mm	in	mm	in	mm
<b>03</b>	.780	19.8	.957	24.3	.125	3.2	.250	6.4
<b>04</b>	.780	19.8	.957	24.3	.125	3.2	.312	7.9
<b>06</b>	.780	19.8	1.145	29.1	.250	6.4	.437	11.1
<b>08</b>	.780	19.8	1.332	33.8	.312	7.9	.562	14.3
<b>10</b>	.780	19.8	1.332	33.8	.350	8.9	.625	15.9
<b>12</b>	.811	20.6	1.551	39.4	.500	12.7	.750	19.1
<b>16</b>	.905	23.0	1.770	45.0	.625	15.9	.937	23.8
<b>20</b>	1.092	27.7	2.113	53.7	.875	22.2	1.250	31.8
<b>24</b>	1.124	28.5	2.363	60.0	1.000	25.4	1.375	34.9
<b>28</b>	1.399	35.5	2.770	70.4	1.250	31.8	1.625	41.3
<b>32</b>	1.399	35.5	3.020	76.7	1.437	36.5	1.875	47.6

# Series 38 EMI Backshells

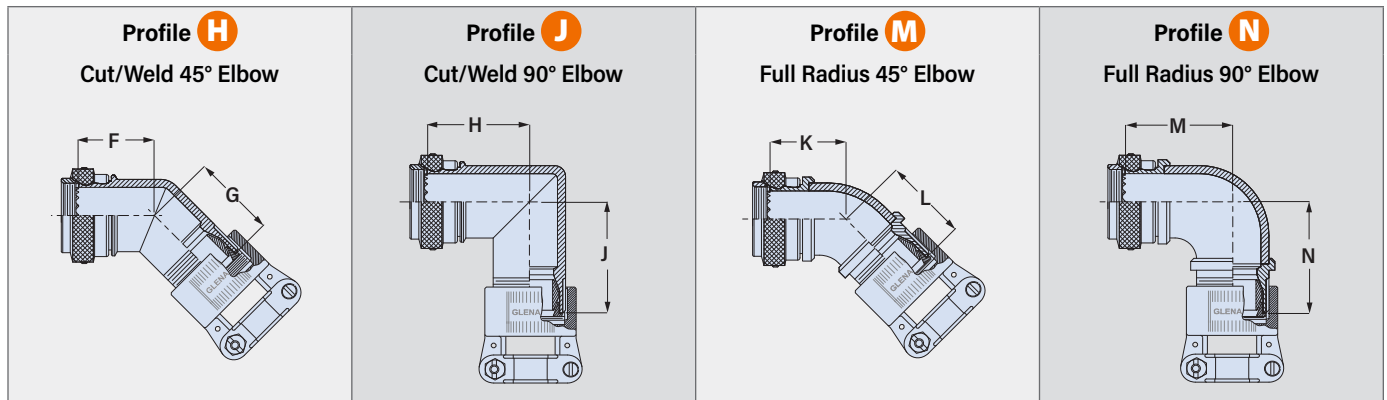
for Series 806 Mil/Aero Connectors

## 380V\*143 EMI Backshell, Self-Locking



Shell Size	A Thread ISO Metric	ØB Max. in	ØB Max. mm	Max. Entry Size <sup>(1)</sup>
08	M10 x 1.0-6H	.642	16.31	03
09	M12 x 1.0-6H	.735	18.67	04
10	M14 x 1.0-6H	.786	19.96	04
11	M15 x 1.0-6H	.830	21.08	06
12	M17 x 1.0-6H	.911	23.14	06
14	M19 x 1.0-6H	1.002	25.45	08
16	M22 x 1.0-6H	1.149	29.18	10
18	M25 x 1.0-6H	1.264	32.11	12
20	M28 x 1.0-6H	1.394	35.41	16
22	M31 x 1.0-6H	1.513	38.43	16
24	M34 x 1.0-6H	1.631	41.43	16

(1) If the Entry Size exceeds "Max. Entry Size", a front adapter will be included. See "Maximum Entry Size" on this page.



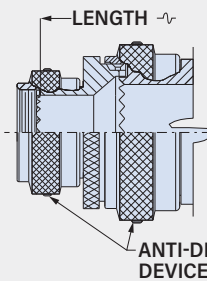
Shell Size	F Max		G Max		H Max		J Max		K Max		L Max		M Max		N Max	
	in	mm	in	mm	in	mm	in	mm	in	mm	in	mm	in	mm	in	mm
08	.62	15.8	.90	22.9	.79	20.1	1.08	27.4	.79	20.1	1.07	27.2	.94	23.9	1.23	31.2
09	.64	16.3	.93	23.6	.84	21.3	1.13	28.7	.79	20.1	1.07	27.2	.94	23.9	1.23	31.2
10	.67	17.0	.93	23.6	.84	21.3	1.18	30.0	.79	20.1	1.13	28.7	.97	24.6	1.32	33.5
11	.67	17.0	.97	24.6	.90	22.9	1.19	30.2	.79	20.1	1.13	28.7	.97	24.6	1.32	33.5
12	.70	17.8	.97	24.6	.90	22.9	1.24	31.5	.83	21.1	1.21	30.7	1.04	26.4	1.42	36.1
14	.72	18.3	1.00	25.4	.96	24.4	1.27	32.3	.83	21.1	1.21	30.7	1.04	26.4	1.42	36.1
16	.76	19.3	1.05	26.7	1.02	25.9	1.33	33.8	.84	21.3	1.28	32.5	1.08	27.4	1.52	38.6
18	.79	20.1	1.11	28.2	1.12	28.5	1.39	35.3	.89	22.6	1.36	34.5	1.14	29.0	1.62	41.2
20	.82	20.8	1.17	29.7	1.24	31.5	1.49	37.9	.92	23.4	1.43	36.3	1.21	30.7	1.71	43.4
22	.86	21.8	1.21	30.7	1.24	31.5	1.56	39.6	.95	24.1	1.49	37.9	1.28	32.5	1.81	46.0
24	.90	22.9	1.29	32.8	1.25	31.8	1.68	42.7	.98	24.5	1.55	39.4	1.33	33.8	1.91	48.5

### MAXIMUM ENTRY SIZE

If the selected entry size exceeds the maximum size in this table, the backshell will have a front adapter. This is called a **Style 2** backshell.

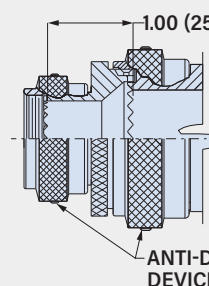
Shell Size	Max. Entry Size	Shell Size	Max. Entry Size
08	03	16	10
09	04	18	12
10	04	20	16
11	06	22	16
12	06	24	16
14	08		

#### Style 2 Straight Backshell



For Style 2 straight backshells, the minimum length code increases from 3 (1½ inches) to 4 (2 inches).

#### Style 2 45° and 90° Backshells



For Style 2 45° and 90° backshells, the front adapter adds 1 inch to the length.