



Series 38 EMI Backshells

for Series 970 PowerTrip® Connectors

380P*105 EMI Backshell, Self-Locking

Self-Locking



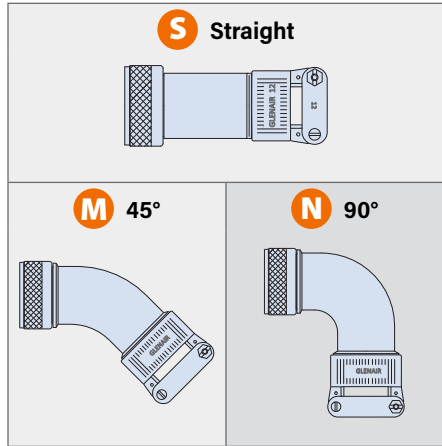
Shielded. Straight, 45° or 90°. 380P*105 backshell fits Glenair Series 970 PowerTrip connectors. Spin coupling, non-environmental. For use with shielded cable. Type H heavy duty saddle clamp has stainless steel telescoping fillister head screws and lockwashers. Two ground rings for terminating both individual and overall braid shields. Anti-decoupling mechanism provides audible detented coupling and prevents backoff under high vibration. Available in aluminum or stainless steel.

Adapter Code P
This accessory fits Glenair Series 970 PowerTrip Connectors

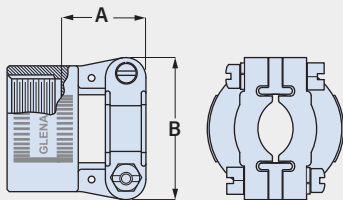
PART NUMBER

	380PS105	ME	20	12	H	4
Base P/N	Base Part No.	Profile				
	380PS105	S Straight				
	380PM105	M 45° Full Radius				
	380PN105	N 90° Full Radius				
Material/Finish	ME Alum/ Electroless Nickel					
	MT Alum/ Nickel-PTFE					
	NF Alum/ Olive Drab Cadmium					
	ZR Alum/ Black Zinc-Nickel					
	TZ Alum/ Tin-Zinc					
	ZI SST/ Passivated					
Shell Size	18 20 24 28 32 36 40					
Entry Size	Entry Size	Max. Cable Dia.	Shell Size*	Entry Size	Max. Cable Dia.	Shell Size*
	04	.312 (7.9)	18-40	16	.937 (23.8)	24-40
	06	.437 (11.1)	18-40	20	1.250 (31.8)	28-40
	08	.562 (14.3)	18-40	24	1.375 (34.9)	32-40
	10	.625 (15.9)	18-40	28	1.625 (41.3)	36-40
	12	.750 (19.1)	20-40	32	1.875 (47.6)	40
<i>* If selected entry size exceeds shell size range, a Style 2 transition adapter will be included. See Maximum Entry Size for details.</i>						
Strain Relief	H Saddle Clamp					
Length	6 3 inches	<i>Applies to Profile S only. If Entry Size is greater than "Maximum Entry Size" (see next page), then 4 inch minimum applies.</i>				
	8 4 inches					
	10 5 inches					
	12 6 inches					

PROFILE SELECTION GUIDE



STRAIN RELIEF DIMENSIONS

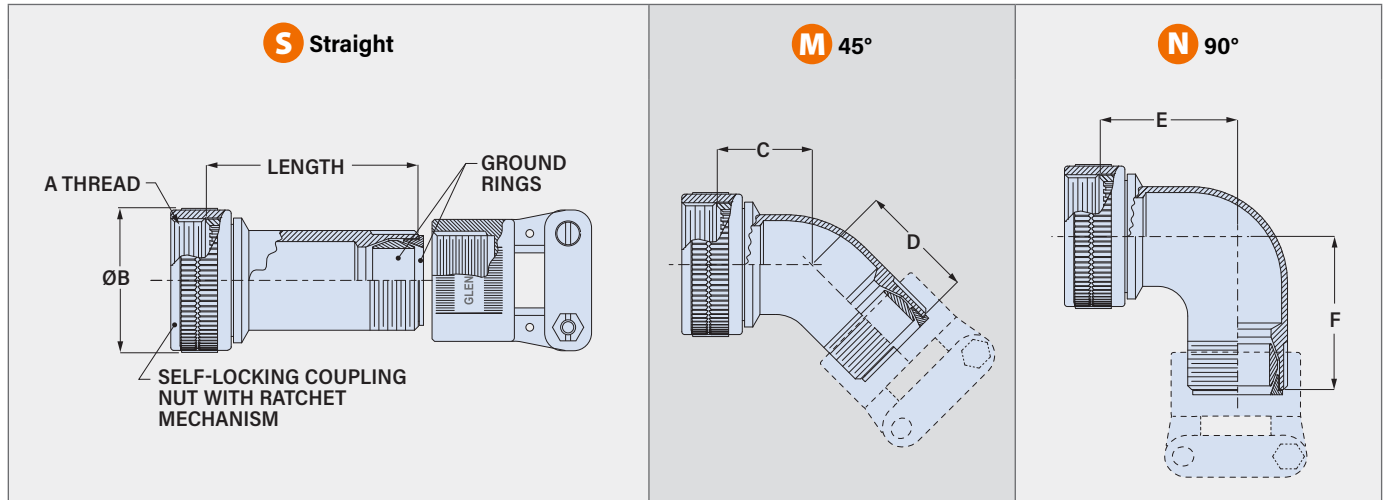


Entry Size	A Max		B Max		Cable Range			
	in	mm	in	mm	Min in	Min mm	Max in	Max mm
04	.780	19.8	.957	24.3	.125	3.2	.312	7.9
06	.780	19.8	1.145	29.1	.250	6.4	.437	11.1
08	.780	19.8	1.332	33.8	.312	7.9	.562	14.3
10	.780	19.8	1.332	33.8	.350	8.9	.625	15.9
12	.811	20.6	1.551	39.4	.500	12.7	.750	19.1
16	.905	23.0	1.770	45.0	.625	15.9	.937	23.8
20	1.092	27.7	2.113	53.7	.875	22.2	1.250	31.8
24	1.124	28.5	2.363	60.0	1.000	25.4	1.375	34.9
28	1.399	35.5	2.770	70.4	1.250	31.8	1.625	41.3
32	1.399	35.5	3.020	76.7	1.437	36.5	1.875	47.6

Series 38 EMI Backshells

for Series 970 PowerTrip® Connectors

380P*105 Spin Coupling, Self-Locking



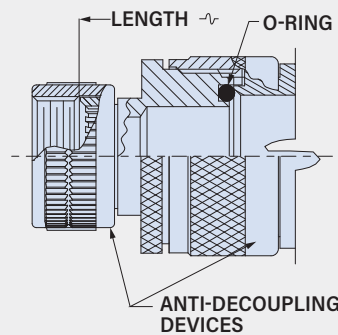
Shell Size	A Thread	Ø B Max. in	mm	C Max. in	mm	D Max. in	mm	E Max. in	mm	F Max. in	mm	Max. Entry Size
18	1.125-18 UNEF-2B	1.39	35.3	1.250	31.8	1.156	29.4	1.906	48.4	1.812	46.0	10
20	1.250-18 UNEF-2B	1.53	38.9	1.312	33.3	1.219	31.0	2.031	51.6	1.938	49.2	12
24	1.4375-18 UNEF-2B	1.72	43.7	1.46	35.7	1.312	33.3	2.281	57.9	2.188	55.6	16
28	1.8125-16 UN-2B	2.13	54.1	1.500	38.1	1.625	41.3	2.531	64.3	2.625	66.7	20
32	2.0625-16 UNS-2B	2.35	59.7	1.675	42.5	1.945	49.4	2.625	66.7	2.895	73.5	24
36	2.250-16 UN-2B	2.59	65.8	1.799	45.7	2.069	52.6	2.875	73.0	3.145	79.9	28
40	2.500-16 UN-2B	2.87	70.6	1.861	47.3	2.131	54.1	3.025	76.8	3.295	83.7	32

MAXIMUM ENTRY SIZE

If the selected entry size exceeds the maximum size in this table, the backshell will have a front adapter. This is called a **Style 2** backshell.

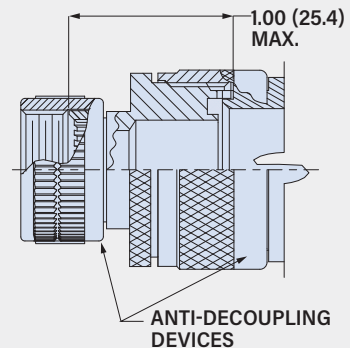
Shell Size	Maximum Entry Size
18	12
20	16
24	16
28	24
32	28
36	32
40	32

Style 2 Straight Backshell



Profile **S** straight backshell minimum length code is 8 (4 inches).

Style 2 45° and 90° Backshells



For Profile **M** and **N** 45° and 90° backshells, the length increases by 1 inch.