

# Series 38 EMI Backshells

for MIL-DTL-26482 Series I Connectors

## 380D\*002 EMI Backshell, Direct Coupling

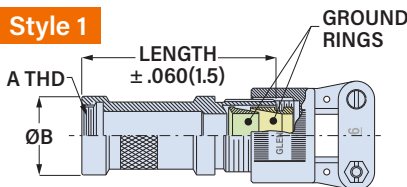


### Adapter Code **D**

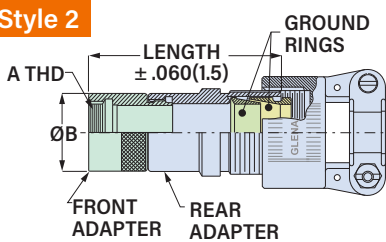
This accessory fits MIL-DTL-26482 Series I connectors

### **S** Straight

#### Style 1



#### Style 2



Shell Size	A Thread UNEF-2B	øB Max. in mm	J Max. in mm	Max. Entry Size <sup>(1)</sup>
08	0.4375-28	.59	15.0	04
10	0.5625-24	.72	18.3	06
12	0.6875-24	.84	21.3	08
14	0.8125-20	.97	24.6	10
16	0.9375-20	1.09	27.7	12
18	1.0625-18	1.22	31.0	16
20	1.1875-18	1.34	34.0	16
22	1.3125-18	1.47	37.3	16
24	1.4375-18	1.59	40.4	20

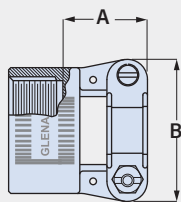
**Straight, 45° or 90°. Cone and ring shield termination.** 380D\*002 backshell fits MIL-DTL-26482 Series I connectors. Direct coupling. Non-environmental, for use with shielded cable. Type H heavy duty saddle clamp has stainless steel telescoping fillister head screws and lockwashers. Available in aluminum or stainless steel.

### PART NUMBER

**380DS002 NF 12 04 H 3**

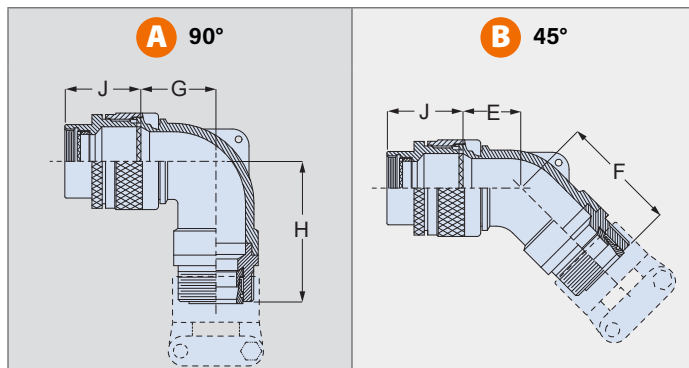
<b>Base P/N</b>	<b>380DS002</b> <b>S</b> Straight <b>380DA002</b> <b>A</b> 90° Elbow <b>380DB002</b> <b>B</b> 45° Elbow
<b>Material/Finish</b>	<b>M</b> Alum/ Electroless Nickel <b>MT</b> Alum/ Nickel-PTFE <b>NF</b> Alum/ Olive Drab Cadmium <b>ZR</b> Alum/ Black Zinc-Nickel <b>TZ</b> Alum/ Tin-Zinc <b>ZI</b> SST/ Passivated (Profile S only)
<b>Shell Size</b>	<b>08 10 12 14 16 18 20 22 24</b>
<b>Entry Size</b>	See Table 1
<b>Strain Relief</b>	<b>H</b> Saddle Clamp
<b>Length</b>	<b>5</b> 2.5 inches <b>6</b> 3.0 inches <b>7</b> 3.5 inches <b>8</b> 4.0 inches <i>Applies to Profile S only. If Entry Size is greater than "Maximum Entry Size", then 3 inch minimum applies.</i>

### TABLE 1: STRAIN RELIEF DIMENSIONS



Entry Size	A Max in mm	B Max in mm	Cable Range				Profile S Shell Size Range <sup>(1)</sup>		
			Min in mm	Max in mm	Min in mm	Max in mm			
04	.780	19.8	.957	24.3	.125	3.2	.312	7.9	08-24
06	.780	19.8	1.145	29.1	.250	6.4	.437	11.1	10-24
08	.780	19.8	1.332	33.8	.312	7.9	.562	14.3	12-24
10	.780	19.8	1.332	33.8	.350	8.9	.625	15.9	14-24
12	.811	20.6	1.551	39.4	.500	12.7	.750	19.1	16-24
16	.905	23.0	1.770	45.0	.625	15.9	.937	23.8	18-24
20	1.092	27.7	2.113	53.7	.875	22.2	1.250	31.8	24
24	1.124	28.5	2.363	60.0	1.000	25.4	1.375	34.9	
28	1.399	35.5	2.770	70.4	1.250	31.8	1.625	41.3	
32	1.399	35.5	3.020	76.7	1.437	36.5	1.875	47.6	

(1) If selected entry size exceeds shell size range, a Style 2 transition adapter will be included.



Entry Size	E Max in mm	F Max in mm	G Max in mm	H Max in mm				
04	.567	14.4	1.630	41.4	.636	16.2	1.200	30.5
06	.630	16.0	1.250	31.8	.710	18.0	1.320	33.5
08	.692	17.6	1.312	33.3	.731	18.6	1.340	34.0
10	.755	19.2	1.655	42.0	.825	21.0	1.660	42.2
12	.848	21.5	1.765	44.8	.988	25.1	1.750	44.5
16	1.036	26.3	1.953	49.6	1.087	27.6	1.925	48.9
20	1.130	28.7	2.098	53.3	1.325	33.7	2.033	51.6
24	1.255	31.9	2.155	54.7	1.337	34.0	2.200	55.9
28	1.317	33.5	2.250	57.2	1.827	46.4	2.450	62.2
32	1.348	34.2	2.343	59.5	2.027	51.5	2.450	62.2