



Series 38 EMI Backshells

for AS50151 Crimp, M26482 Series II, M83723 Series III, AS81703 Series 3, AS95234

380A*099 EMI Backshell, Composite, Self-Locking



Self-Locking

Adapter Code **A**

AS50151 crimp, AS95234, MIL-DTL-26482 Ser. II, AS81703 Ser. 3, MIL-DTL-83723 Ser. III

MATERIAL/FINISH

Coupling nut, saddles: glass-reinforced polyetherimide (PEI), unplated, amber color
 Body and shield termination ring: polyetherimide (PEI)/finish per PN
 Screws, washers: stainless steel/passivated
 Anti-decoupling spring: thermoplastic

PART NUMBER

	380AS099	XM	16	12	C
Base P/N	Base Part No.	Profile	Shell Size		
	380AS099	S Straight	08-28		
	380AT099	T 45° Elbow	08-24		
	380AW099	W 90° Elbow	08-28		
Body Finish	XM	Electroless Nickel	<i>Coupling nut and saddle clamp are unplated.</i>		
	XMT	Nickel-PTFE			
	XW	Olive Drab Cadmium			
	XTZ	Tin-Zinc			
Shell Size	08 10 12 14 16 18 20 22 24 28				
Entry Size	See Table 1				
Strain Relief Type	C Saddle Clamp				

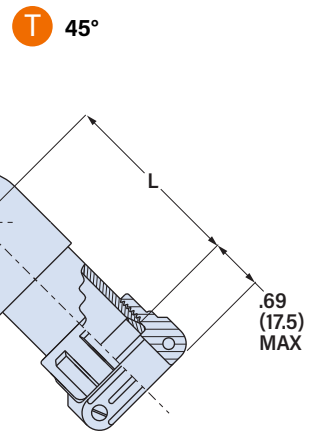
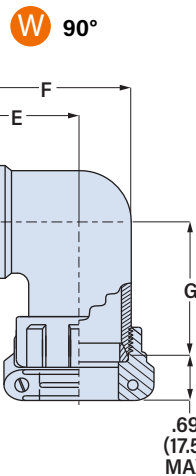
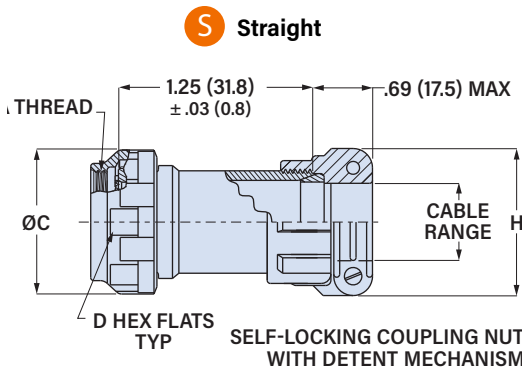


TABLE 1: ENTRY SIZE

Entry Size	Cable Diameter		H Max.	Shell Size	A	øC Max		D Hex Flats		E ±.06(1.5)		F ±.09(2.3)		G ±.09(2.3)		K ±.06(1.5)		L ±.06(1.5)		Max Entry Size
	Min	Max				in	mm	in	mm	in	mm	in	mm	in	mm	in	mm	in	mm	
10	.20	.25	5.1	6.4	1.00	25.4	08-28													10
12	.29	.38	7.4	9.7	1.23	31.2	10-28													12
14	.40	.44	10.1	11.2	1.34	34.0	12-28													14
16	.48	.63	12.2	15.9	1.47	37.3	14-28													16
18	.55	.69	14.0	17.5	1.56	39.6	16-28													18
20	.64	.75	16.3	19.1	1.62	41.1	16-28													20
22	.72	.88	18.3	22.2	1.75	44.5	20-28													22
24	.79	1.00	20.0	25.4	1.87	47.5	22-28													24
28	.89	1.13	20.3	28.6	1.97	50.0	24-28													28
32	.96	1.25	24.4	31.8	2.08	52.8	28													32