

Series 37 Environmental Backshells

for Series 970 PowerTrip® Connectors

370P*024 Backshell, Environmental, Spin Coupling

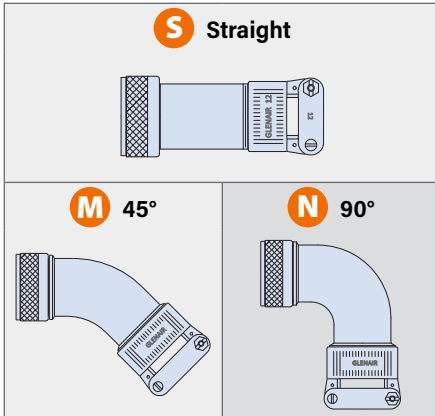


Self-Locking

Adapter Code P

This accessory fits Glenair Series 970 PowerTrip Connectors

PROFILE SELECTION GUIDE



Submersible. Straight, 45° or 90°. 370P*024 backshell fits Glenair Series 970 PowerTrip connectors. Spin coupling, environmentally sealed. For use with unshielded jacketed cable. Strain relief styles include saddle clamp or low profile nut. When the strain relief is tightened onto the adapter, the grommet compresses onto cable jacket to create a watertight seal. Type H heavy duty saddle clamp has stainless steel telescoping fillister head screws and lockwashers. Anti-decoupling mechanism provides audible detented coupling and prevents backoff under high vibration. Available in aluminum or stainless steel.

PART NUMBER

370PS024 ME 20 06 H 4

Base P/N	Base Part No.	Profile
	370PS024	S Straight
	370PM024	M 45° Full Radius
	370PN024	N 90° Full Radius

Material/Finish	C	Alum/ Black Anodize
	ME	Alum/ Electroless Nickel
	MT	Alum/ Nickel-PTFE
	NF	Alum/ Olive Drab Cadmium
	ZR	Alum/ Black Zinc-Nickel
	TZ	Alum/ Tin-Zinc
	ZI	SST/ Passivated

Shell Size 18 20 24 28 32 36 40

Entry Size	Max Cable Dia.	Shell Size*	Entry Size	Max Cable Dia.	Shell Size*
04	.312 (7.9)	18-40	16	.937 (23.8)	24-40
06	.437 (11.1)	18-40	20	1.250 (31.8)	28-40
08	.562 (14.3)	18-40	24	1.375 (34.9)	32-40
10	.625 (15.9)	18-40	28	1.625 (41.3)	36-40
12	.750 (19.1)	20-40	32	1.875 (47.6)	40

* If selected entry size exceeds shell size range, a Style 2 transition adapter will be included. See Maximum Entry Size for details.

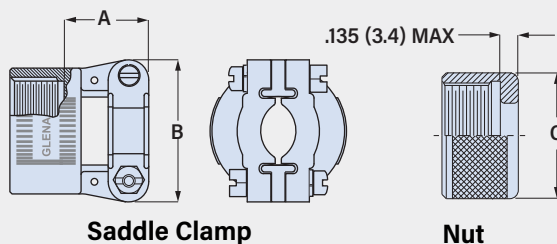
Strain Relief H Saddle Clamp
D Nut



Length	inches	Shell
	Length (mm)	Sizes
6	3 (76)	18, 20
8	4 (102)	18-40
10	5 (127)	18-40
12	6 (152)	18-40

Applies to Profile **S** only.
If Entry Size is greater than "Maximum Entry Size" (see next page), then 5 inch minimum applies.

STRAIN RELIEF DIMENSIONS



Entry Size	A Max		B Max		oC Max		Cable Range			
	in	mm	in	mm	in	mm	Min*	Max	Min*	Max
04	.780	19.8	.957	24.3	.755	19.2	.125	3.2	.312	7.9
06	.780	19.8	1.145	29.1	.942	23.9	.250	6.4	.437	11.1
08	.780	19.8	1.332	33.8	1.067	27.1	.312	7.9	.562	14.3
10	.780	19.8	1.332	33.8	1.192	30.3	.350	8.9	.625	15.9
12	.811	20.6	1.551	39.4	1.380	35.1	.500	12.7	.750	19.1
16	.905	23.0	1.770	45.0	1.535	39.0	.625	15.9	.937	23.8
20	1.092	27.7	2.113	53.7	1.848	46.9	.875	22.2	1.250	31.8
24	1.124	28.5	2.363	60.0	2.255	57.3	1.000	25.4	1.375	34.9
28	1.399	35.5	2.770	70.4	2.505	63.6	1.250	31.8	1.625	41.3
32	1.399	35.5	3.020	76.7	2.755	70.0	1.437	36.5	1.875	47.6

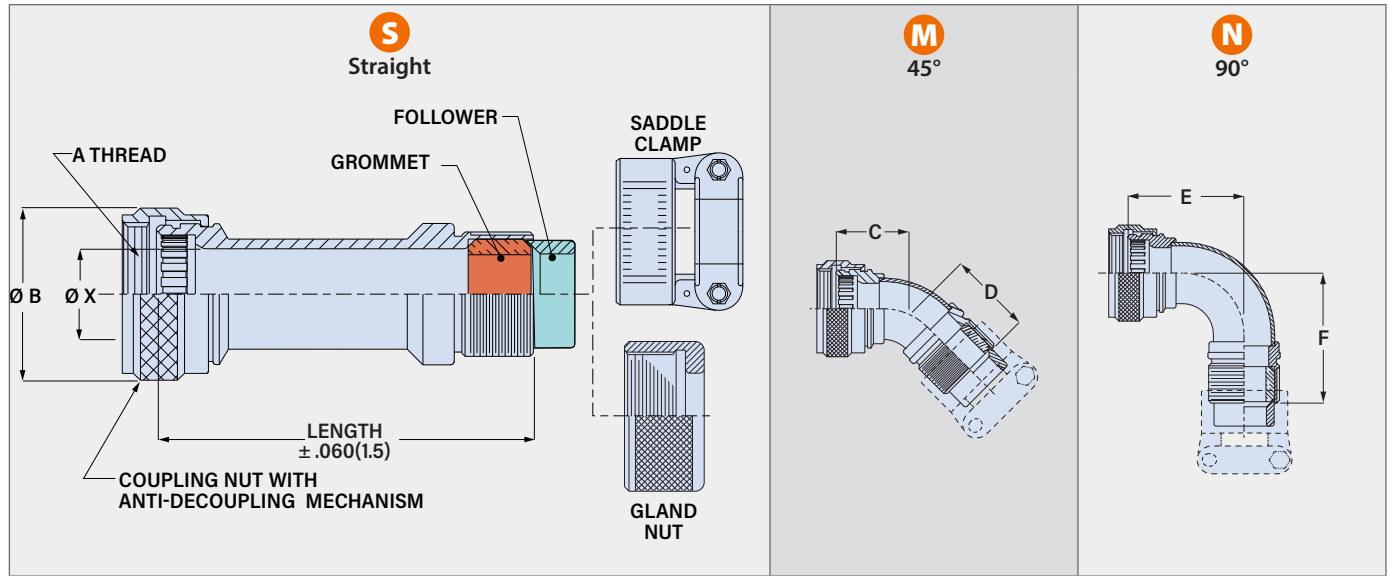
* Not applicable to Style D Nut.

Series 37 Environmental Backshells

for Series 970 PowerTrip® Connectors

370P*024 Backshell, Environmental, Spin Coupling

DIMENSIONS



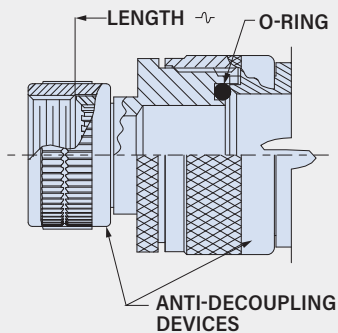
Shell Size	A Thread	Ø B Max in mm	C Max in mm	D Max in mm	E Max in mm	F Max in mm	Ø X Min in mm	Max Entry Size
18	1.125-18 UNEF-2B	1.39 35.3	1.250 31.8	2.468 62.7	1.906 48.4	1.812 46.0	.724 18.4	10
20	1.250-18 UNEF-2B	1.53 38.9	1.312 33.3	2.657 67.5	2.031 51.6	1.938 49.2	.858 21.8	12
24	1.4375-18 UNEF-2B	1.72 43.7	1.46 35.7	3.063 77.8	2.281 57.9	2.188 55.6	1.043 26.5	16
28	1.8125-16 UN-2B	2.13 54.1	1.500 38.1	3.656 92.9	2.531 64.3	2.625 66.7	1.353 34.4	20
32	2.0625-16 UNS-2B	2.35 59.7	1.675 42.5	3.845 97.7	2.625 66.7	2.895 73.5	1.620 41.2	24
36	2.250-16 UN-2B	2.59 65.8	1.799 45.7	4.230 107.4	2.875 73.0	3.145 79.9	1.823 46.3	28
40	2.500-16 UN-2B	2.87 70.6	1.861 47.3	4.459 113.3	3.025 76.8	3.295 83.7	2.050 52.1	32

MAXIMUM ENTRY SIZE

If the selected entry size exceeds the maximum size in this table, the backshell will have a front adapter. This is called a **Style 2** backshell.

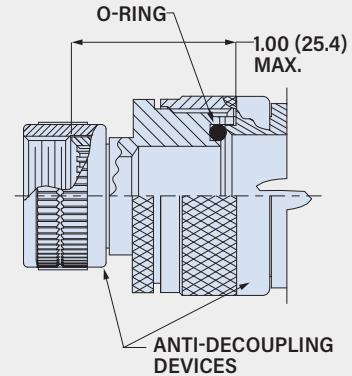
Shell Size	Maximum Entry Size
18	10
20	12
24	16
28	20
32	24
36	28
40	32

Style 2 Straight Backshell



Profile **S** straight backshell minimum length code is 10 (5 inches).

Style 2 45° and 90° Backshells



For Profile **M** and **N** 45° and 90° backshells, the length increases by 1 inch.