

Series 36 Strain Relief Backshells

for MIL-DTL-38999 Series III/IV Connectors

360H*017 Backshell, Strain Relief, Qwik-Clamp®

Self-Locking



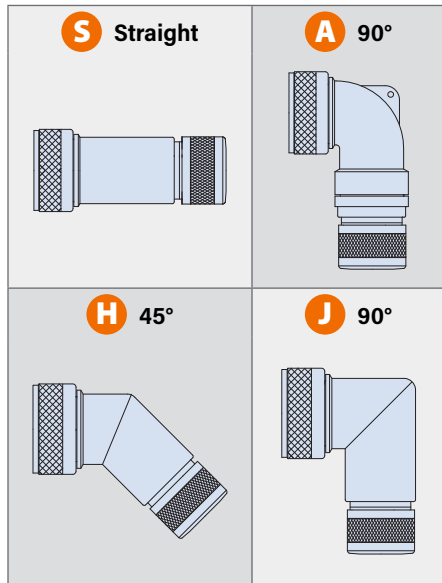
- No exposed screws
- High vibration
- NASA approved cable clamp

Screwless cable clamp. Self-locking. 360H*017 backshell fits MIL-DTL-38999 Series III and IV connectors. Rotate clamp nut to tighten internal cable clamp. Clamp nut has anti-rotation device. Coupling nut has anti-decoupling mechanism providing audible detented coupling and preventing backoff under high vibration. Non-environmental. Adapter, elbows, coupling nut and clamp nut are aluminum, internal clamp components are thermoplastic. -65° to +200° C.

Adapter Code H

This accessory fits these connectors:
MIL-DTL-38999 Series III and Series IV

PROFILES



PART NUMBER

360HS017	M	11	12	4
Base P/N	Base Part No.	Profile		
360HS017	S	Straight		
360HA017	A	90° Elbow		
360HH017	H	45° Cut/Weld		
360HJ017	J	90° Cut/Weld		
Material/Finish	C	Alum/ Black Anodize		
	M	Alum/ Electroless Nickel		
	MT	Alum/ Nickel-PTFE		
	NF	Alum/ Olive Drab Cadmium		
	ZR	Alum/ Black Zinc-Nickel		
	TZ	Alum/ Tin-Zinc		
Shell Size	Shell Size	9 11 13 15 17 19 21 23 25		
		A B C D E F G H J		
	Size Code	09 11 13 15 17 19 21 23 25		
Entry Size	See Table 1			
Length	3	1.5 inches	Applies to Profile S only. in 1/2 inch increments.	
	4	2.0 inches		
	6	3.0 inches		
	8	4.0 inches		

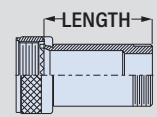
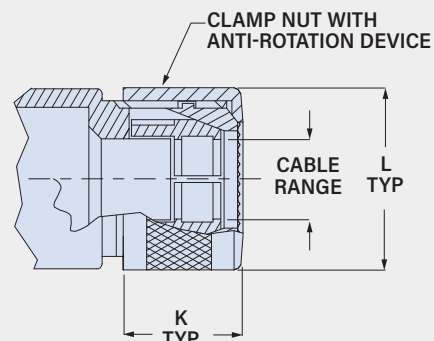


TABLE 1: ENTRY SIZE

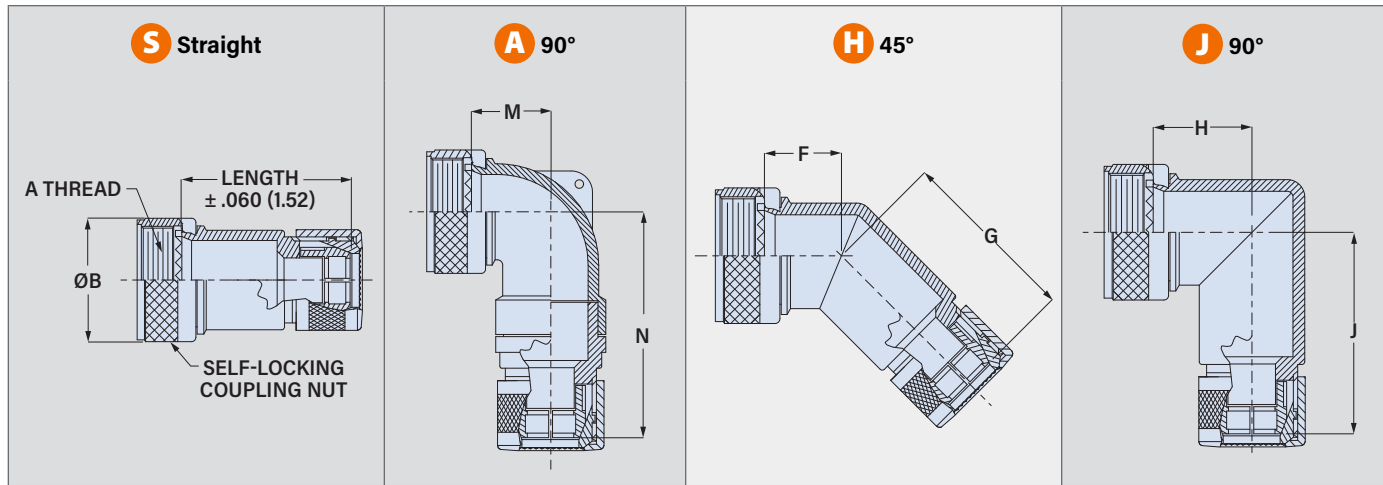
Entry Size	Cable Range		K Max		L Max		Shell Size		
	Min	Max	in	mm	in	mm			
08	.128	.250	3.3	6.4	.530	13.5	18.3	09-25	
12	.233	.375	5.9	9.5	.710	18.0	.910	23.1	11-25
16	.358	.500	9.1	12.7	.720	18.3	1.090	27.7	13-25
20	.482	.625	12.2	15.9	.720	18.3	1.220	31.0	15-25
24	.545	.750	13.8	19.1	.660	16.8	1.340	34.0	17-25
28	.670	.875	17.0	22.2	.790	20.1	1.530	38.9	19-25
32	.795	1.000	20.2	25.4	.870	22.1	1.720	43.7	23, 25
36	.889	1.125	22.6	28.6	.830	21.1	1.850	47.0	25



Series 36 Strain Relief Backshells

for MIL-DTL-38999 Series III/IV Connectors

360H*017 Backshell, Strain Relief, Qwik-Clamp®



Shell Size	A Thread Class 2B	øB Max		F Max		G Max		H Max		J Max		M Max		N Max		Max Entry Size
		in	mm	in	mm	in	mm	in	mm	in	mm	in	mm	in	mm	
08	M12X1.0-6H	.94	24.8	.795	20.2	1.39	35.3	.906	23.0	1.50	38.1	.655	16.6	1.64	41.7	08
10	M15X1.0-6H	1.06	26.9	.820	20.8	1.42	36.1	.966	24.5	1.56	39.6	.750	19.1	1.76	44.7	12
12	M18X1.0-6H	1.17	29.7	.844	21.4	1.44	36.6	1.026	26.1	1.62	41.1	.765	19.4	1.78	45.2	16
14	M22X1.0-6H	1.29	32.7	.861	21.9	1.47	37.3	1.076	27.3	1.69	42.9	.855	21.7	1.85	47.0	16
16	M25X1.0-6H	1.42	36.1	.888	22.6	1.49	37.8	1.136	28.9	1.75	44.5	1.040	26.4	1.94	49.3	20
18	M28X1.0-6H	1.54	39.1	.904	23.0	1.50	38.1	1.176	29.9	1.77	45.0	1.130	28.7	2.11	53.6	24
20	M31X1.0-6H	1.67	42.4	.929	23.6	1.52	38.6	1.236	31.4	1.83	46.5	1.130	28.7	2.11	53.6	28
22	M34X1.0-6H	2.01	51.1	.956	24.3	1.56	39.6	1.296	32.9	1.91	48.5	1.280	32.5	2.22	56.4	32
24	M37X1.0-6H	2.12	53.8	.979	24.9	1.59	40.4	1.356	34.4	1.98	50.3	1.280	32.5	2.22	56.4	36