



Series 36 Strain Relief Backshells

for MIL-DTL-38999 Series I/II Connectors

360F*014 Backshell, Strain Relief, Composite, Self-Locking



Self-Locking

Adapter Code F

This accessory fits these connectors:
MIL-DTL-38999 Series I and Series II

MATERIAL/FINISH

Coupling nut, saddles: polyetherimide (PEI), unplated
Body: polyetherimide (PEI)/finish per PN
Screws, washers: stainless steel/passivated
Anti-decoupling spring: thermoplastic

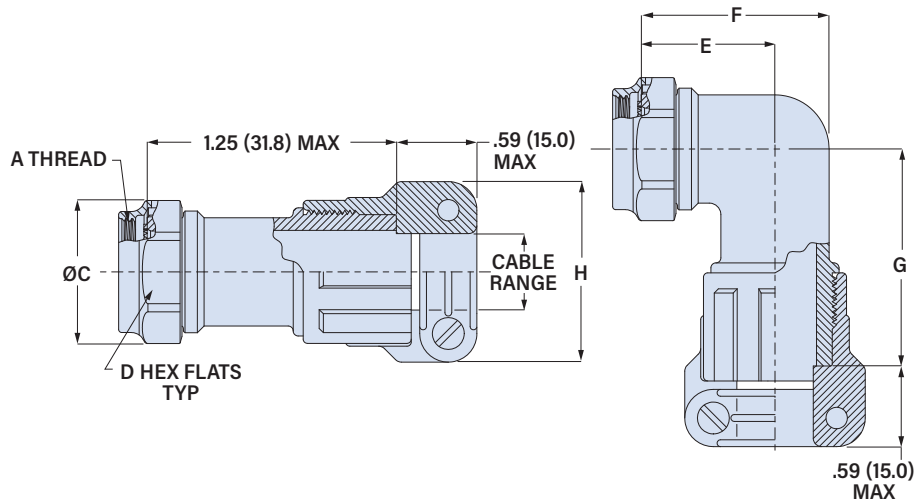
Straight and 90°. Composite. Self-locking. 360F*014 backshell fits MIL-DTL-38999 Series I and II connectors. Lightweight, corrosion-free composite material. Anti-decoupling mechanism provides audible detented coupling and prevents backoff under high vibration. Non-environmental. Full radius saddle clamp has telescoping screws. Polyetherimide, stainless steel screws and lockwashers.

PART NUMBER

| | | | | |
|--------------------|------------------------------------------------------------------------------------------------------------------------------------------------------------------------------|-----------|-----------|-----------|
| | 360FS014 | XW | 18 | 14 |
| Base P/N | 360FS014 Straight 360FW014 90° | | | |
| Body Finish | XM Electroless Nickel XW Olive drab Cadmium XB Unplated, Black color XO Unplated, Natural (amber) Color XZN Black Zinc-Nickel | | | |
| Shell Size | 38999 Series I 9 11 13 15 17 19 21 23 25 38999 Series II 8 10 12 14 16 18 20 22 24 Size Code 08 10 12 14 16 18 20 22 24 | | | |
| Entry Size | See Table 1 | | | |

TABLE 1: ENTRY SIZE

| Entry Size | Cable Range | | | | H Max in | H Max mm | Shell Sizes |
|------------|-------------|--------|--------|--------|----------|----------|-------------|
| | Min in | Max in | Min mm | Max mm | | | |
| 10 | .20 | .25 | 5.1 | 6.4 | 1.00 | 25.4 | 08-24 |
| 12 | .29 | .38 | 7.4 | 9.7 | 1.23 | 31.2 | 10-24 |
| 14 | .40 | .44 | 10.1 | 11.2 | 1.34 | 34.0 | 12-24 |
| 16 | .48 | .63 | 12.2 | 15.9 | 1.47 | 37.3 | 14-24 |
| 18 | .55 | .69 | 14.0 | 17.5 | 1.56 | 39.6 | 16-24 |
| 20 | .64 | .75 | 16.3 | 19.1 | 1.62 | 41.1 | 16-24 |
| 22 | .72 | .88 | 18.3 | 22.2 | 1.75 | 44.5 | 20-24 |
| 24 | .79 | 1.00 | 20.0 | 25.4 | 1.87 | 47.5 | 22-24 |
| 28 | .89 | 1.13 | 20.3 | 28.6 | 1.97 | 50.0 | 24 |



| Shell Size | A Thread UNEF-2B | øC Max in | øC Max mm | D Flats in | D Flats mm | E ±.06(1.5) in | E ±.06(1.5) mm | F ±.09(2.3) in | F ±.09(2.3) mm | G ±.09(2.3) in | G ±.09(2.3) mm | Max Entry Size |
|------------|------------------|-----------|-----------|------------|------------|----------------|----------------|----------------|----------------|----------------|----------------|----------------|
| 08 | 0.4375-28 | .86 | 21.8 | .750 | 19.1 | .69 | 17.5 | .88 | 22.4 | 1.06 | 27.0 | 10 |
| 10 | 0.5625-24 | .98 | 24.9 | .875 | 22.2 | .75 | 19.1 | 1.00 | 25.4 | 1.13 | 28.7 | 12 |
| 12 | 0.6875-24 | 1.16 | 29.5 | 1.000 | 25.4 | .81 | 20.6 | 1.13 | 28.7 | 1.19 | 30.2 | 14 |
| 14 | 0.8125-20 | 1.28 | 32.5 | 1.125 | 28.6 | .88 | 22.4 | 1.31 | 33.3 | 1.38 | 35.1 | 16 |
| 16 | 0.9375-20 | 1.41 | 35.8 | 1.250 | 31.8 | .94 | 23.9 | 1.38 | 35.1 | 1.44 | 36.6 | 20 |
| 18 | 1.0625-18 | 1.52 | 38.6 | 1.375 | 34.9 | .97 | 24.6 | 1.44 | 36.6 | 1.47 | 37.3 | 20 |
| 20 | 1.1875-18 | 1.64 | 41.7 | 1.500 | 38.1 | 1.06 | 26.9 | 1.63 | 41.4 | 1.56 | 39.6 | 22 |
| 22 | 1.3125-18 | 1.77 | 45.0 | 1.625 | 41.3 | 1.13 | 28.7 | 1.75 | 44.5 | 1.63 | 41.4 | 24 |
| 24 | 1.4375-18 | 1.89 | 48.0 | 1.750 | 44.5 | 1.19 | 30.2 | 1.88 | 47.8 | 1.69 | 42.9 | 28 |