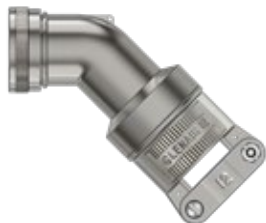


Series 36 Strain Relief Backshells

for MIL-DTL-38999 Series I/II Connectors

360F*001 Backshell, Strain Relief, Spin Coupling

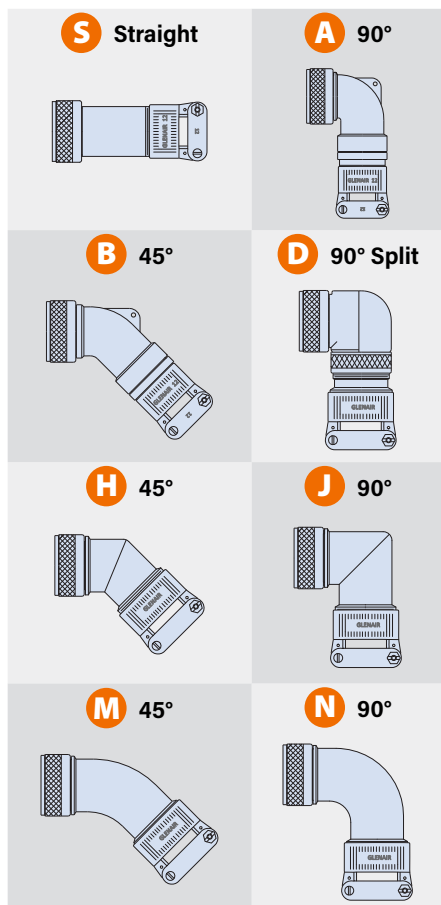


Straight, 45° and 90°. Heavy duty saddle clamp. 360F*001 backshell fits MIL-DTL-38999 Series I and II connectors. Spin coupling, nonenvironmental. Heavy duty die cast saddle clamp has stainless steel telescoping fillister head screws and lockwashers. Available in aluminum or stainless steel.

Adapter Code F

This accessory fits these connectors:
MIL-DTL-38999 Series I and Series II

PROFILES



PART NUMBER

360FS001 M 12 04 H 3

| Base P/N | Base Part No. | Profile |
|----------|---------------|-------------------|
| | 360AS001 | S Straight |
| | 360AA001 | A 90° Elbow |
| | 360AB001 | B 45° Elbow |
| | 360AD001 | D 90° Split |
| | 360AH001 | H 45° Cut/Weld |
| | 360AJ001 | J 90° Cut/Weld |
| | 360AM001 | M 45° Full Radius |
| | 360AN001 | N 90° Full Radius |

| Material/Finish | Material/Finish |
|-----------------|---|
| C | Alum/ Black Anodize |
| M | Alum/ Electroless Nickel |
| MT | Alum/ Nickel-PTFE |
| NF | Alum/ Olive Drab Cadmium |
| ZR | Alum/ Black Zinc-Nickel |
| TZ | Alum/ Tin-Zinc |
| ZI | SST/ Passivated (Profiles H, J, M, N, S only) |

| Shell Size | Shell Size | | | | | | | | | |
|------------|----------------|----|----|----|----|-----------------|----|----|----|----|
| | 38999 Series I | | | | | 38999 Series II | | | | |
| | 9 | 11 | 13 | 15 | 17 | 8 | 10 | 12 | 14 | 16 |
| | 08 | 10 | 12 | 14 | 16 | 18 | 20 | 22 | 24 | 24 |

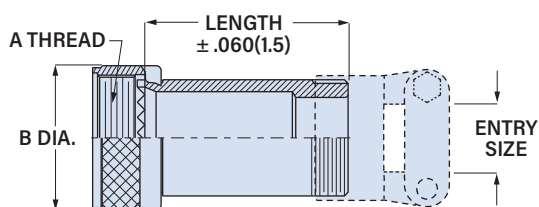
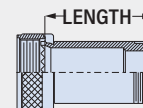
| Entry Size* | Entry Size | Max Cable Dia. | Shell Size* | Entry Size | Max Cable Dia. | Shell Size* |
|-------------|-------------|----------------|-------------|--------------|----------------|-------------|
| | 03 | .250 (7.9) | 08-24 | 16 | .937 (23.8) | 20-24 |
| 04 | .312 (7.9) | 10-24 | 20 | 1.250 (31.8) | 24 | |
| 06 | .437 (11.1) | 12-24 | 24 | 1.375 (34.9) | - | |
| 08 | .562 (14.3) | 14-24 | 28 | 1.625 (41.3) | - | |
| 10 | .625 (15.9) | 16-24 | 32 | 1.875 (47.6) | - | |
| 12 | .750 (19.1) | 18-24 | | | | |

* If selected entry size exceeds shell size range, a Style 2 transition adapter will be included. See Maximum Entry Size for details.

Strain Relief H Saddle Clamp

Length 3 1.5 inches
4 2.0 inches
6 3.0 inches
8 4.0 inches

Applies to Profile S only. If Entry Size is greater than "Maximum Entry Size" (see next page), then 2 inch minimum applies.

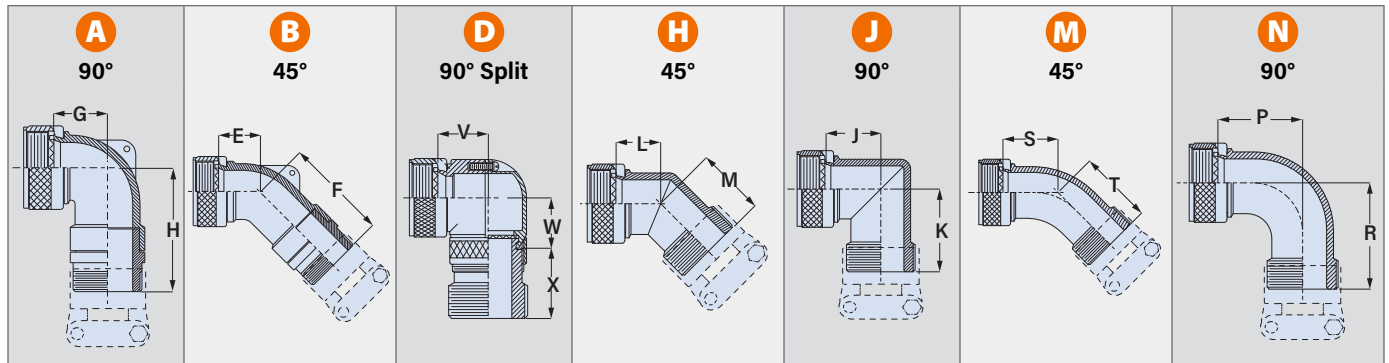


| Shell Size | A Thread UNEF-2B | øB Max in | øB Max mm | Shell Size | A Thread UNEF-2B | øB Max in | øB Max mm |
|------------|------------------|-----------|-----------|------------|------------------|-----------|-----------|
| 08 | 0.4375-28 | .650 | 16.5 | 18 | 1.0625-18 | 1.230 | 31.2 |
| 10 | 0.5625-24 | .770 | 19.6 | 20 | 1.1875-18 | 1.360 | 34.5 |
| 12 | 0.6875-24 | .890 | 22.6 | 22 | 1.3125-18 | 1.480 | 37.6 |
| 14 | 0.8125-20 | 1.020 | 25.9 | 24 | 1.4375-18 | 1.730 | 43.9 |
| 16 | 0.9375-20 | 1.150 | 29.2 | | | | |

Series 36 Strain Relief Backshells

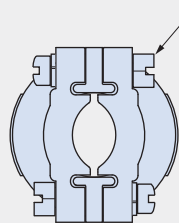
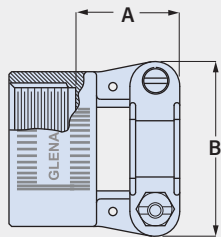
for MIL-DTL-38999 Series I/II Connectors

360F*001 Backshell, Strain Relief, Spin Coupling



| Shell Size | E Max in mm | F Max in mm | G Max in mm | H Max in mm | J Max in mm | K Max in mm | L Max in mm | M Max in mm | P Max in mm | R Max in mm | S Max in mm | T Max in mm | V Max in mm | W Max in mm | X Max in mm | | | | | | | | | | | | | | | |
|------------|----------------|----------------|----------------|----------------|----------------|----------------|----------------|----------------|----------------|----------------|----------------|----------------|----------------|----------------|----------------|------|-------|------|-------|------|-------|------|-------|------|-------|------|-------|------|------|------|
| 08 | .457 | 11.6 | 1.622 | 41.2 | .500 | 12.7 | 1.632 | 41.5 | .834 | 21.2 | 1.144 | 29.1 | .726 | 18.5 | 1.036 | 26.3 | 1.125 | 28.6 | 1.445 | 36.7 | .817 | 20.8 | 1.127 | 28.6 | .680 | 17.2 | 1.670 | 42.4 | 1.00 | 25.4 |
| 10 | .520 | 13.2 | 1.682 | 42.7 | .595 | 15.1 | 1.752 | 44.5 | .898 | 22.8 | 1.209 | 30.7 | .753 | 19.1 | 1.062 | 27.0 | 1.250 | 31.8 | 1.570 | 39.9 | .861 | 21.9 | 1.181 | 30.0 | .750 | 19.0 | 1.725 | 43.8 | 1.00 | 25.4 |
| 12 | .582 | 14.8 | 1.742 | 44.2 | .610 | 15.5 | 1.772 | 45.0 | .956 | 24.3 | 1.266 | 32.1 | .777 | 19.7 | 1.087 | 27.6 | 1.375 | 34.9 | 1.695 | 43.1 | .911 | 23.1 | 1.231 | 31.3 | .810 | 20.5 | 1.795 | 45.5 | 1.00 | 25.4 |
| 14 | .645 | 16.4 | 2.062 | 52.4 | .700 | 17.8 | 2.072 | 52.6 | 1.018 | 25.9 | 1.328 | 33.7 | .802 | 20.4 | 1.113 | 28.3 | 1.500 | 38.1 | 1.820 | 46.2 | .965 | 24.5 | 1.285 | 32.6 | .870 | 22.0 | 1.827 | 46.4 | 1.00 | 25.4 |
| 16 | .738 | 18.7 | 2.172 | 55.2 | .885 | 22.5 | 2.162 | 54.9 | 1.081 | 27.4 | 1.391 | 35.3 | .828 | 21.0 | 1.138 | 28.9 | 1.625 | 41.3 | 1.945 | 49.4 | 1.014 | 25.8 | 1.334 | 33.9 | .930 | 23.6 | 1.927 | 48.9 | 1.00 | 25.4 |
| 18 | .926 | 23.5 | 2.362 | 60.0 | .975 | 24.8 | 2.332 | 59.2 | 1.125 | 28.6 | 1.435 | 36.4 | .847 | 21.5 | 1.157 | 29.4 | 1.750 | 44.5 | 2.070 | 52.6 | 1.064 | 27.0 | 1.384 | 35.2 | 1.000 | 25.4 | 1.985 | 50.4 | 1.00 | 25.4 |
| 20 | .926 | 23.5 | 2.362 | 60.0 | .975 | 24.8 | 2.332 | 59.2 | 1.188 | 30.2 | 1.498 | 38.0 | .873 | 22.2 | 1.183 | 30.0 | 1.875 | 47.6 | 2.195 | 55.8 | 1.118 | 28.4 | 1.438 | 36.5 | 1.060 | 26.9 | 2.046 | 51.9 | 1.00 | 25.4 |
| 22 | 1.020 | 25.9 | 2.512 | 63.8 | 1.125 | 28.6 | 2.442 | 62.0 | 1.250 | 31.8 | 1.560 | 39.6 | .898 | 22.8 | 1.208 | 30.7 | 2.000 | 50.8 | 2.320 | 58.9 | 1.172 | 29.8 | 1.492 | 37.9 | 1.120 | 28.4 | 2.107 | 53.5 | 1.50 | 38.1 |
| 24 | 1.020 | 25.9 | 2.512 | 63.8 | 1.125 | 28.6 | 2.442 | 62.0 | 1.312 | 33.3 | 1.623 | 41.2 | .942 | 23.5 | 1.234 | 31.4 | 2.125 | 54.0 | 2.445 | 62.1 | 1.221 | 31.0 | 1.541 | 39.1 | 1.180 | 29.2 | 2.165 | 54.9 | 1.50 | 38.1 |

STRAIN RELIEF DIMENSIONS



TELESCOPING SCREW, FILLISTER HD., WITH LOCKWASHER

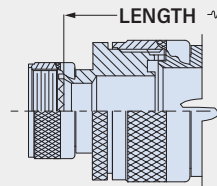
| Entry Size | Cable Range | | | |
|------------|----------------|----------------|--------------|--------------|
| | A Max in mm | B Max in mm | Min in mm | Max in mm |
| 03 | .780 19.8 | .957 24.3 | .125 3.2 | .250 6.4 |
| 04 | .780 19.8 | .957 24.3 | .125 3.2 | .312 7.9 |
| 06 | .780 19.8 | 1.145 29.1 | .250 6.4 | .437 11.1 |
| 08 | .780 19.8 | 1.332 33.8 | .312 7.9 | .562 14.3 |
| 10 | .780 19.8 | 1.332 33.8 | .350 8.9 | .625 15.9 |
| 12 | .811 20.6 | 1.551 39.4 | .500 12.7 | .750 19.1 |
| 16 | .905 23.0 | 1.770 45.0 | .625 15.9 | .937 23.8 |
| 20 | 1.092 27.7 | 2.113 53.7 | .875 22.2 | 1.250 31.8 |
| 24 | 1.124 28.5 | 2.363 60.0 | 1.000 25.4 | 1.375 34.9 |
| 28 | 1.399 35.5 | 2.770 70.4 | 1.250 31.8 | 1.625 41.3 |
| 32 | 1.399 35.5 | 3.020 76.7 | 1.437 36.5 | 1.875 47.6 |

MAXIMUM ENTRY SIZE

If the selected entry size exceeds the maximum size in this table, the backshell will have a front adapter. This is called a **Style 2** backshell.

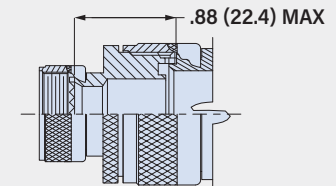
| Shell Size | Maximum Entry Size |
|------------|--------------------|
| 8/9 | 03 |
| 10/11 | 04 |
| 12/13 | 06 |
| 14/15 | 08 |
| 16/17 | 10 |
| 18/19 | 12 |
| 20/21 | 12 |
| 22/23 | 16 |
| 24/25 | 20 |

Style 2 Straight Backshell



The minimum length code increases from 3 (1 1/2 inches) to 4 (2 inches).

Style 2 45° and 90° Backshells



For 45° and 90° backshells, the length increases by .88 inches.