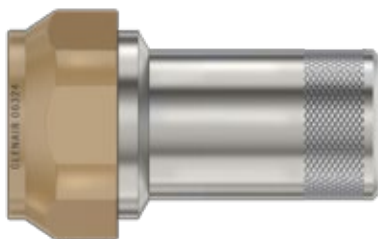


# Series 34 Shorting Cap Backshells

for MIL-DTL-38999 Series III and IV Connectors

## 347H129 Shorting Cap Backshell, Composite, Self-Locking

**Self-Locking**



**Adapter Code H**

This accessory fits these connectors:  
MIL-DTL-38999 Series III and Series IV

### ATTACHMENT TYPES

**F**

**Wire Rope, Blue Nylon Jacket**  
6/6 nylon over stainless steel rope, stainless steel ring terminal, fair flexibility, good abrasion resistance, -55 to +100 °C

**G**

**Nylon Rope**  
Solid braided nylon cord, black, stainless steel ring terminal, very flexible, good abrasion resistance, good resistance to fuels, .120" (3mm) diameter, -55 to +100 °C

**H**

**Wire Rope, Clear FEP Jacket**  
Clear FEP jacket over SST rope, stainless steel ring terminal, fair flexibility, good abrasion resistance, .100" diameter, -55 to +200 °C

**S**

**Sash Chain**  
#8 sash chain, stainless steel

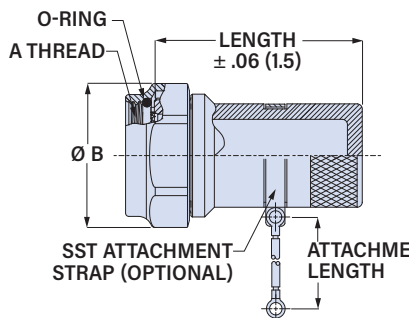
**U**

**Wire Rope, Black Polyurethane**  
Stainless steel rope with black polyurethane coating, stainless steel ring terminal, very flexible, excellent abrasion resistance, excellent resistance to fuels, .080" (2mm) diameter, -55 to +125 °C

**Composite. Self-locking.** Shorting cap backshell fits MIL-DTL-38999 Series III and IV connectors. Lightweight composite material resists corrosion. Tether backshell with optional attachment strap and lanyard. High performance thermoplastic. Attachment strap and hardware are passivated stainless steel, silicone O-ring.

### PART NUMBER

|                          |  |                                    |             |                   |             |                  |             |                  |             |                  |
|--------------------------|--|------------------------------------|-------------|-------------------|-------------|------------------|-------------|------------------|-------------|------------------|
|                          |  | <b>347H129</b>                     |             | <b>XM</b>         | <b>13</b>   | <b>3</b>         | <b>U</b>    | <b>7</b>         | <b>-01</b>  |                  |
| <b>Base P/N</b>          | <b>347H129</b>   |                                    |             |                   |             |                  |             |                  |             |                  |
| <b>Finish</b>            | <b>XM</b> Electroless Nickel<br><b>XMT</b> Nickel-PTFE<br><b>XW</b> Olive Drab Cadmium   | <i>Coupling nut is unplated</i>    |             |                   |             |                  |             |                  |             |                  |
| <b>Shell Size</b>        | Shell Size   | 9                                  | 11          | 13                | 15          | 17               | 19          | 21               | 23          | 25               |
|                          |  | A                                  | B           | C                 | D           | E                | F           | G                | H           | J                |
|                          | Size Code  | <b>09</b>                          | <b>11</b>   | <b>13</b>         | <b>15</b>   | <b>17</b>        | <b>19</b>   | <b>21</b>        | <b>23</b>   | <b>25</b>        |
| <b>Length</b>            | <b>2</b> 1.0 inch<br><b>3</b> 1.5 inches<br><b>4</b> 2.0 inches<br><b>5</b> 2.5 inches<br><b>6</b> 3.0 inches  | <i>Length in ½ inch increments</i> |             |                   |             |                  |             |                  |             |                  |
| <b>Attachment Type</b>   | <b>N</b> No Attachment<br><b>C</b> Attachment Strap Only, No Lanyard<br><b>F</b> Wire Rope, Blue Nylon Jacket<br><b>G</b> Nylon Rope<br><b>H</b> Wire Rope, Clear FEP Jacket<br><b>S</b> Sash Chain<br><b>U</b> Wire Rope, Black Polyurethane Jacket |                                    |             |                   |             |                  |             |                  |             |                  |
| <b>Attachment Length</b> | <i>Omit for Attachment Types C and N</i><br><i>Attachment Length in ½ inch increments. e.g., "11" = 5.5 inches.</i>  |                                    |             |                   |             |                  |             |                  |             |                  |
| <b>Attachment Ring</b>   | <i>Omit for Attachment Types C and N</i>   |                                    |             |                   |             |                  |             |                  |             |                  |
|                          | <b>SMALL RING</b>  |                                    |             | <b>LARGE RING</b> |             |                  |             |                  |             |                  |
|                          |  |                                    |             |                   |             |                  |             |                  |             |                  |
|                          | <b>Code</b>  | <b>Ring I.D.</b>                   | <b>Code</b> | <b>Ring I.D.</b>  | <b>Code</b> | <b>Ring I.D.</b> | <b>Code</b> | <b>Ring I.D.</b> | <b>Code</b> | <b>Ring I.D.</b> |
|                          | <b>-06</b>   | ± .010 (0.3)                       | <b>-095</b> | ± .015 (0.4)      | <b>-109</b> | ± .015 (0.4)     | <b>-109</b> | ± .015 (0.4)     | <b>-109</b> | ± .015 (0.4)     |
|                          | <b>-01</b>   | .125 (3.2)                         | <b>-100</b> | .312 (7.9)        | <b>-111</b> | 1.266 (32.2)     | <b>-111</b> | 1.266 (32.2)     | <b>-111</b> | 1.266 (32.2)     |
|                          | <b>-09</b>   | .140 (3.6)                         | <b>-101</b> | .391 (9.9)        | <b>-113</b> | 1.521 (38.6)     | <b>-113</b> | 1.521 (38.6)     | <b>-113</b> | 1.521 (38.6)     |
|                          | <b>-05</b>   | .156 (4.0)                         | <b>-101</b> | .516 (13.1)       | <b>-113</b> | 1.766 (44.9)     | <b>-113</b> | 1.766 (44.9)     | <b>-113</b> | 1.766 (44.9)     |
|                          | <b>-02</b>   | .167 (4.2)                         | <b>-103</b> | .641 (16.3)       | <b>-115</b> | 2.078 (52.8)     | <b>-115</b> | 2.078 (52.8)     | <b>-115</b> | 2.078 (52.8)     |
|                          | <b>-03</b>   | .182 (4.6)                         | <b>-105</b> | .766 (19.5)       | <b>-117</b> | 2.510 (63.8)     | <b>-117</b> | 2.510 (63.8)     | <b>-117</b> | 2.510 (63.8)     |
|                          | <b>-07</b>   | .191 (4.9)                         | <b>-107</b> | 1.016 (25.8)      |             |                  |             |                  |             |                  |
|                          |  | .218 (5.5)                         |             |                   |             |                  |             |                  |             |                  |



| Shell Size | A Thread   | øB Max in | øB Max mm |
|------------|------------|-----------|-----------|
| 9 (A)      | M12X1.0-6H | .86       | 21.8      |
| 11 (B)     | M15X1.0-6H | .98       | 24.9      |
| 13 (C)     | M18X1.0-6H | 1.16      | 29.5      |
| 15 (D)     | M22X1.0-6H | 1.28      | 32.5      |
| 17 (E)     | M25X1.0-6H | 1.41      | 35.8      |
| 19 (F)     | M28X1.0-6H | 1.52      | 38.6      |
| 21 (G)     | M31X1.0-6H | 1.64      | 41.7      |
| 23 (H)     | M34X1.0-6H | 1.77      | 45.0      |
| 25 (J)     | M37X1.0-6H | 1.89      | 48.0      |