

Series 34 Shorting Cap Backshells

for MIL-DTL-38999 Series III and IV Connectors

340HS001 Shorting Cap Backshell, Spin Coupling



Adapter Code H

This accessory fits these connectors:
MIL-DTL-38999 Series III and Series IV

ATTACHMENT TYPES

F		Wire Rope, Blue Nylon Jacket 6/6 nylon over stainless steel rope, stainless steel ring terminal, fair flexibility, good abrasion resistance, -55 to +100 °C
G		Nylon Rope Solid braided nylon cord, black, stainless steel ring terminal, very flexible, good abrasion resistance, good resistance to fuels, .120" (3mm) diameter, -55 to +100 °C
H		Wire Rope, Clear FEP Jacket Clear FEP jacket over SST rope, stainless steel ring terminal, fair flexibility, good abrasion resistance, .100" diameter, -55 to +200 °C
S		Sash Chain #8 sash chain, stainless steel
SK		Nylon Rope with Slip Knot Solid braided nylon cord, black, very flexible, good abrasion resistance, good resistance to fuels, .120" (3mm) diameter. Length includes .5" (13mm) dia. loop, 55 to +100 °C
U		Wire Rope, Black Polyurethane Stainless steel rope with black polyurethane coating, stainless steel ring terminal, very flexible, excellent abrasion resistance, excellent resistance to fuels, .080" (2mm) diameter, -55 to +125 °C

Spin coupling. Shorting cap backshell fits MIL-DTL-38999 Series III and IV connectors. Tether backshell with optional attachment strap and lanyard. Aluminum or stainless steel. Attachment strap and hardware are passivated stainless steel. Silicone O-ring.

PART NUMBER

340HS001	NF	17	-3	H	10	A
-----------------	-----------	-----------	-----------	----------	-----------	----------

Base P/N	340HS001
Material/Finish	M Alum/ Electroless Nickel MT Alum/ Nickel-PTFE NF Alum/ Olive Drab Cadmium ZR Alum/ Black Zinc-Nickel TZ Alum/ Tin-Zinc ZI SST/ Passivated

Shell Size	Shell Size	9	11	13	15	17	19	21	23	25
	Size Code	09	11	13	15	17	19	21	23	25

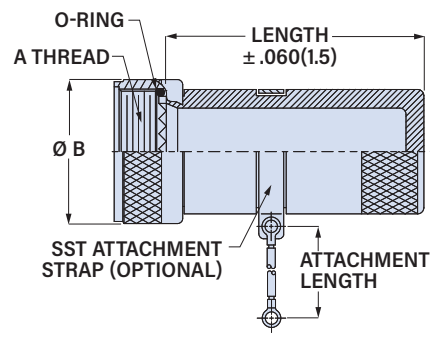
Length	-2	1.0 inch							<i>Length in 1/2 inch increments.</i>
	-3	1.5 inches	-6	3.0 inches					
	-4	2.0 inches	-8	4.0 inches					
	-5	2.5 inches	-10	5.0 inches					

Attachment Type	N	No Attachment
	C	Attachment Strap Only, No Lanyard
	F	Wire Rope, Blue Nylon Jacket
	G	Nylon Rope
	H	Wire Rope, Clear FEP Jacket
	S	Sash Chain
	SK	Nylon Rope with Slip Knot
	U	Wire Rope, Black Polyurethane Jacket

Attachment Length *Omit for Attachment Types C and N*
Attachment Length in 1/2 inch increments. e.g., "11" = 5.5 inches.

Omit for Attachment Types C, N and SK

Attachment Ring	SMALL RING		LARGE RING			
	Code	Ring I.D. ± .010 (0.3)	Code	Ring I.D. ± .015 (0.4)	Code	Ring I.D. ± .015 (0.4)
	E	.125 (3.2)	-095	.312 (7.9)	-109	1.266 (32.2)
	A	.140 (3.6)	-100	.391 (9.9)	-111	1.521 (38.6)
	B	.167 (4.2)	-101	.516 (13.1)	-113	1.766 (44.9)
	C	.182 (4.6)	-103	.641 (16.3)	-115	2.078 (52.8)
	D	.191 (4.9)	-105	.766 (19.5)	-117	2.510 (63.8)
	F	.218 (5.5)	-107	1.016 (25.8)		



Shell Size	A Thread	øB Max in	øB Max mm
9 (A)	M12X1.0-6H	.770	19.6
11 (B)	M15X1.0-6H	.840	21.3
13 (C)	M18X1.0-6H	.960	24.4
15 (D)	M22X1.0-6H	1.090	27.7
17 (E)	M25X1.0-6H	1.230	31.2
19 (F)	M28X1.0-6H	1.360	34.5
21 (G)	M31X1.0-6H	1.480	37.6
23 (H)	M34X1.0-6H	1.600	40.6
25 (J)	M37X1.0-6H	1.720	43.7