

Series 34 Shorting Cap Backshells

for MIL-DTL-28840 Connectors

340GS001 Shorting Cap Backshell, Spin Coupling



Adapter Code **G**

This accessory fits MIL-DTL-28840 and Glenair Series 901 Connectors

ATTACHMENT TYPES

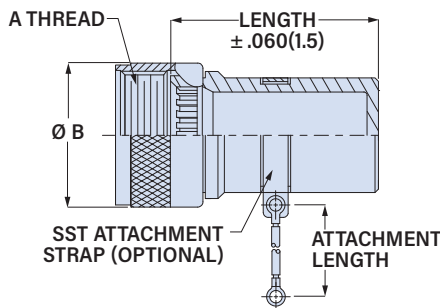
F		Wire Rope, Blue Nylon Jacket 6/6 nylon over stainless steel rope, stainless steel ring terminal, fair flexibility, good abrasion resistance, -55 to +100 °C
G		Nylon Rope Solid braided nylon cord, black, stainless steel ring terminal, very flexible, good abrasion resistance, good resistance to fuels, .120" (3mm) diameter, -55 to +100 °C
H		Wire Rope, Clear FEP Jacket Clear FEP jacket over SST rope, stainless steel ring terminal, fair flexibility, good abrasion resistance, .100" diameter, -55 to +200 °C
S		Sash Chain #8 sash chain, stainless steel
SK		Nylon Rope with Slip Knot Solid braided nylon cord, black, very flexible, good abrasion resistance, good resistance to fuels, .120" (3mm) diameter. Length includes .5" (13mm) dia. loop, 55 to +100 °C
U		Wire Rope, Black Polyurethane Stainless steel rope with black polyurethane coating, stainless steel ring terminal, very flexible, excellent abrasion resistance, excellent resistance to fuels, .080" (2mm) diameter, -55 to +125 °C

Spin coupling. Shorting cap backshell fits MIL-DTL-28840 connectors. Tether backshell with optional attachment strap and lanyard. Aluminum or stainless steel. Attachment strap and hardware are passivated stainless steel.

PART NUMBER

340GS001 NF 29 -3 H 10 A

Base P/N	340GS001																		
Material/Finish	M	Alum/Electroless Nickel	NF	Alum/Cadmium, Olive Drab	ZR	Alum/Black Zinc-Nickel	TZ	Alum/Tin-Zinc	ZI	SST/Passivated	ZU	SST/Cadmium, Black	ZTZ	SST/Tin-Zinc					
Shell Size	Shell Size	11	13	15	17	19	23	25	29	33									
		A	B	C	D	E	F	G	H	J									
	Size Code	11	13	15	17	19	23	25	29	33									
Length	-2	1.0 inch	-3	1.5 inches	-4	2.0 inches	-5	2.5 inches	-6	3.0 inches	-7	3.5 inches	-8	4.0 inches	-9	4.5 inches	-10	5.0 inches	<i>Length in 1/2 inch increments.</i>
Attachment Type	N	No Attachment	C	Attachment Strap Only, No Lanyard	F	Wire Rope, Blue Nylon Jacket	G	Nylon Rope	H	Wire Rope, Clear FEP Jacket	S	Sash Chain	SK	Nylon Rope with Slip Knot	U	Wire Rope, Black Polyurethane Jacket			
Attachment Length	<i>Omit for Attachment Types C and N</i> <i>Attachment Length in 1/2 inch increments. e.g., "11" = 5.5 inches.</i>																		
Attachment Ring	<i>Omit for Attachment Types C, N and SK</i>																		
	SMALL RING									LARGE RING									
	Code	Ring I.D.	Code	Ring I.D.	Code	Ring I.D.	Code	Ring I.D.	Code	Ring I.D.	Code	Ring I.D.	Code	Ring I.D.	Code	Ring I.D.	Code	Ring I.D.	
		± .010 (0.3)		± .015 (0.4)		± .015 (0.4)		± .015 (0.4)		± .015 (0.4)		± .015 (0.4)		± .015 (0.4)		± .015 (0.4)		± .015 (0.4)	
	E	.125 (3.2)	-095	.312 (7.9)	-109	1.266 (32.2)	A	.140 (3.6)	-100	.391 (9.9)	-111	1.521 (38.6)	B	.167 (4.2)	-101	.516 (13.1)	-113	1.766 (44.9)	
	C	.182 (4.6)	-103	.641 (16.3)	-115	2.078 (52.8)	D	.191 (4.9)	-105	.766 (19.5)	-117	2.510 (63.8)	F	.218 (5.5)	-107	1.016 (25.8)			



Size Code	Shell Size	A Thread Class 2B	øB Max. in	øB Max. mm
11	A (11)	.750-20 UNEF	.94	23.9
13	B (13)	.875-20 UNEF	1.07	27.7
15	C (15)	1.000-20 UNEF	1.21	30.7
17	D (17)	1.125-18 UNEF	1.41	35.7
19	E (19)	1.250-18 UNEF	1.53	38.9
23	F (23)	1.438-18 UNEF	1.73	43.9
25	G (25)	1.562-18 UNEF	1.82	46.3
29	H (29)	1.875-16 UN	2.14	54.4
33	J (33)	2.062-16 UNS	2.33	59.1