

Series 34 Shorting Cap Backshells

for MIL-DTL-38999 Series I and II Connectors

340FS001 Shorting Cap Backshell, Spin Coupling



Spin coupling. Shorting cap backshell fits MIL-DTL-38999 Series I and II connectors. Tether backshell with optional attachment strap and lanyard. Aluminum or stainless steel. Attachment strap and hardware are passivated stainless steel. Silicone O-ring.

Adapter Code F

This accessory fits these connectors:
MIL-DTL-38999 Series I and Series II

ATTACHMENT TYPES

F		Wire Rope, Blue Nylon Jacket 6/6 nylon over stainless steel rope, stainless steel ring terminal, fair flexibility, good abrasion resistance, -55 to +100 °C
G		Nylon Rope Solid braided nylon cord, black, stainless steel ring terminal, very flexible, good abrasion resistance, good resistance to fuels, .120" (3mm) diameter, -55 to +100 °C
H		Wire Rope, Clear FEP Jacket Clear FEP jacket over SST rope, stainless steel ring terminal, fair flexibility, good abrasion resistance, .100" diameter, -55 to +200 °C
S		Sash Chain #8 sash chain, stainless steel
SK		Nylon Rope with Slip Knot Solid braided nylon cord, black, very flexible, very good abrasion resistance, good resistance to fuels, .120" (3mm) diameter. Length includes .5" (13mm) dia. loop, 55 to +100 °C
U		Wire Rope, Black Polyurethane Stainless steel rope with black polyurethane coating, stainless steel ring terminal, very flexible, excellent abrasion resistance, excellent resistance to fuels, .080" (2mm) diameter, -55 to +125 °C

PART NUMBER

340FS001	M	16	-2	F	12	-095
Base P/N	340FS001					

Material/Finish	M	Alum/ Electroless Nickel
	MT	Alum/ Nickel-PTFE
	NF	Alum/ Olive Drab Cadmium
	ZR	Alum/ Black Zinc-Nickel
	TZ	Alum/ Tin-Zinc
	ZI	SST/ Passivated

Shell Size	Shell Size									
	38999 Series I	9	11	13	15	17	19	21	23	25
	38999 Series II	8	10	12	14	16	18	20	22	24
	Size Code	08	10	12	14	16	18	20	22	24

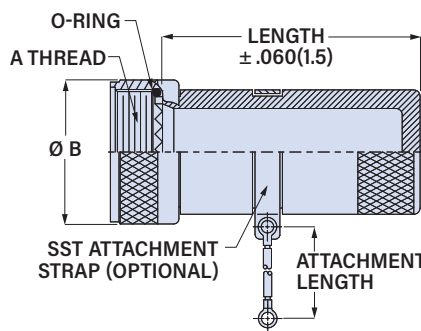
Length	-2	1.0 inch	-6	3.0 inches	Length in ½ inch increments.
	-3	1.5 inches	-8	4.0 inches	
	-4	2.0 inches	-10	5.0 inches	
	-5	2.5 inches			

Attachment Type	N	No Attachment
	C	Attachment Strap Only, No Lanyard
	F	Wire Rope, Blue Nylon Jacket
	G	Nylon Rope
	H	Wire Rope, Clear FEP Jacket
	S	Sash Chain
	SK	Nylon Rope with Slip Knot
	U	Wire Rope, Black Polyurethane Jacket

Attachment Length Omit for Attachment Types C and N
Attachment Length in ½ inch increments. e.g., "11" = 5.5 inches.

Omit for Attachment Types C, N and SK

SMALL RING		LARGE RING		
Code	Ring I.D.	Code	Ring I.D.	Ring I.D.
	± .010 (0.3)		± .015 (0.4)	± .015 (0.4)
E	.125 (3.2)	-095	.312 (7.9)	-109 1.266 (32.2)
A	.140 (3.6)	-100	.391 (9.9)	-111 1.521 (38.6)
B	.167 (4.2)	-101	.516 (13.1)	-113 1.766 (44.9)
C	.182 (4.6)	-103	.641 (16.3)	-115 2.078 (52.8)
D	.191 (4.9)	-105	.766 (19.5)	-117 2.510 (63.8)
F	.218 (5.5)	-107	1.016 (25.8)	



Shell Size	A Thread UNEF-2B	ØB Max in	ØB Max mm
8/9	0.4375-28	.650	16.5
10/11	0.5625-24	.770	19.6
12/13	0.6875-24	.890	22.6
14/15	0.8125-20	1.020	25.9
16/17	0.9375-20	1.150	29.2
18/19	1.0625-18	1.230	31.2
20/21	1.1875-18	1.360	34.5
22/23	1.3125-18	1.480	37.6
24/25	1.4375-18	1.730	43.9