

# Series 32 Extender Backshells

for MIL-DTL-38999 Series III and IV Connectors

## 327H\*060 Extender Backshell, Composite

**Self-Locking**



**Adapter Code H**

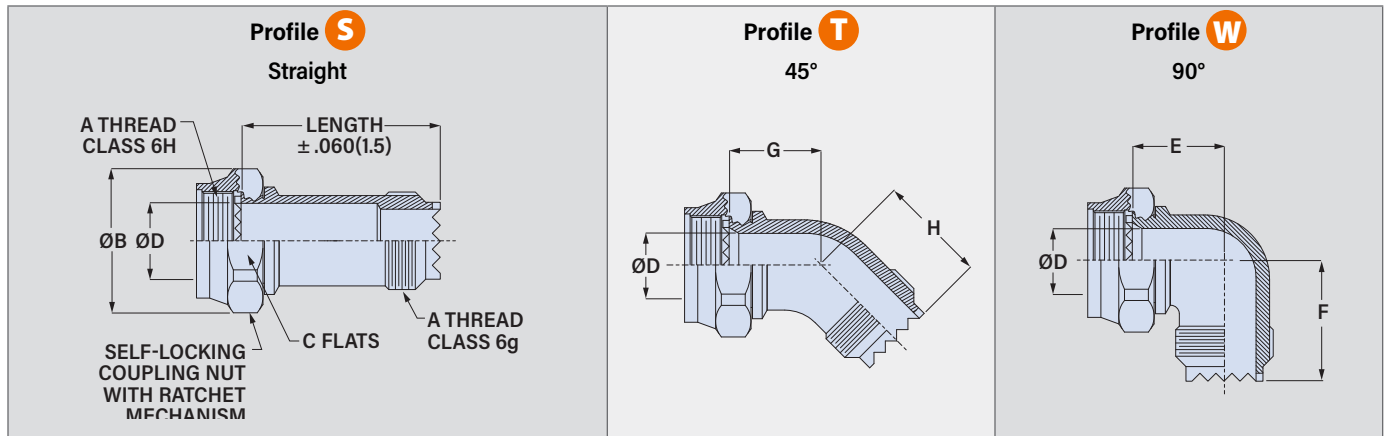
This accessory fits these connectors:  
MIL-DTL-38999 Series III and Series IV

**Corrosion-free composite.** 327H\*060 extender backshell fits MIL-DTL-38999 Series III and IV connectors. Extender provides extra room for wiring. Back end of extender is identical to connector back end. Attach cable clamp or backshell to back end. Anti-decoupling mechanism provides audible detented coupling and prevents backoff under high vibration. High performance thermoplastic.

### PART NUMBER

**327HS060 XM 15 -6**

<b>Base P/N</b>	<b>Base Part No.</b>	<b>Profile</b>	
	<b>327HS060</b> <b>S</b>	<b>Straight</b>	
	<b>327HT060</b> <b>T</b>	<b>45°</b>	
	<b>327HW060</b> <b>W</b>	<b>90°</b>	
<b>Adapter Finish</b>	<b>XB</b>	No Plating, Black Color	<i>Coupling nut is unplated</i>
	<b>XM</b>	Electroless Nickel	
	<b>XO</b>	No Plating, Amber Color	
	<b>XW</b>	Olive Drab Cadmium	
<b>Shell Size</b>	<b>Shell Size</b>	9 11 13 15 17 19 21 23 25	
	<b>Size Code</b>	<b>09 11 13 15 17 19 21 23 25</b>	
<b>Length</b>	<b>-6</b>	.75 inch	<i>Applies to Profile S only.</i>
	<b>-8</b>	1.0 inch	



Shell Size	A Thread	ø B Max		C Hex Flats		ø D Ref		E Max		F Max		G Max		H Max	
		in	mm	in	mm	in	mm	in	mm	in	mm	in	mm	in	mm
9 (A)	M12X1.0	.86	21.8	.750	19.1	.250	6.4	.740	18.8	1.000	25.4	.780	19.8	.890	22.6
11 (B)	M15X1.0	.98	24.9	.875	22.2	.375	9.5	.800	20.3	1.060	26.9	.810	20.6	.920	23.4
13 (C)	M18X1.0	1.16	29.5	1.000	25.4	.500	12.7	.860	21.8	1.120	28.4	.810	20.6	.940	23.9
15 (D)	M22X1.0	1.28	32.5	1.125	28.6	.625	15.9	.930	23.6	1.190	30.2	.820	20.8	.970	24.6
17 (E)	M25X1.0	1.41	35.8	1.250	31.8	.750	19.1	.990	25.1	1.250	31.8	.840	21.3	.990	25.1
19 (F)	M28X1.0	1.52	38.6	1.375	34.9	.844	21.4	1.050	26.7	1.310	33.3	.850	21.6	1.000	25.4
21 (G)	M31X1.0	1.64	41.7	1.500	38.1	.968	24.6	1.120	28.4	1.380	35.1	.880	22.4	1.030	26.2
23 (H)	M34X1.0	1.77	45.0	1.625	41.3	1.094	27.8	1.180	30.0	1.440	36.6	.920	23.4	1.070	27.2
25 (J)	M37X1.0	1.89	48.0	1.750	44.5	1.219	31.0	1.240	31.5	1.500	38.1	.970	24.6	1.080	27.4