



Series 32 Extender Backshells

for MIL-DTL-38999 Series I and II Connectors

327F*060 Extender Backshell, Composite

Self-Locking



Adapter Code F

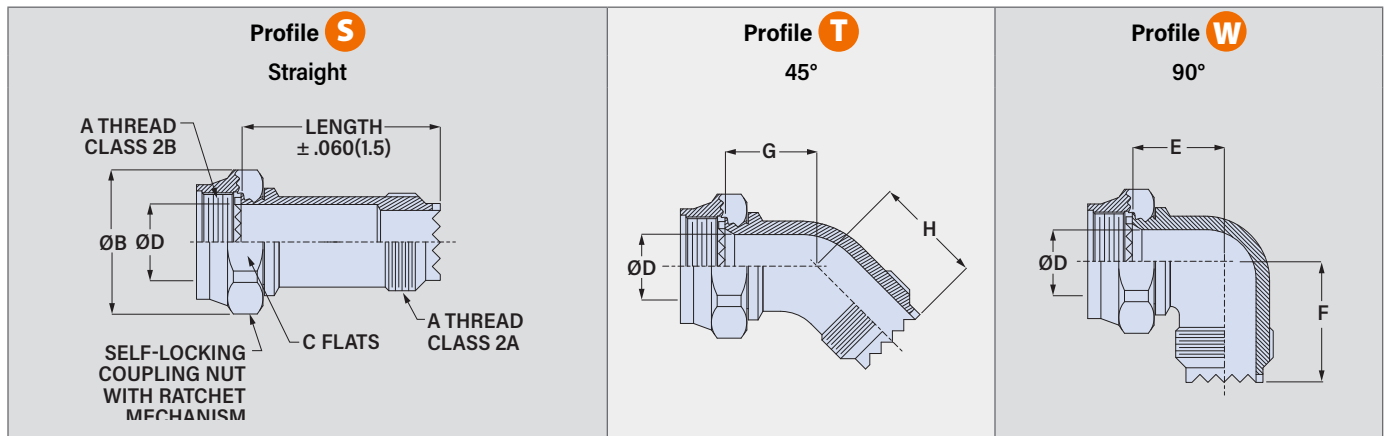
This accessory fits these connectors:
MIL-DTL-38999 Series I and Series II

Corrosion-free composite. 327F*060 extender backshell fits MIL-DTL-38999 Series I and II connectors. Extender provides extra room for wiring. Back end of extender is identical to connector back end. Attach cable clamp or backshell to back end. Anti-decoupling mechanism provides audible detented coupling and prevents backoff under high vibration. High performance thermoplastic.

PART NUMBER

327FS060 XM 16 -6

Base P/N	Base Part No.	Profile	<i>Coupling nut is unplated</i>							
	327FS060 S	Straight								
	327FT060 T	45°								
	327FW060 W	90°								
Adapter Finish	XB	No Plating, Black Color								
	XM	Electroless Nickel								
	XO	No Plating, Amber Color								
	XW	Olive Drab Cadmium								
Shell Size	Shell Size									
	38999 Series I	9	11	13	15	17	19	21	23	25
	38999 Series II	8	10	12	14	16	18	20	22	24
	Size Code	08	10	12	14	16	18	20	22	24
Length	-6	.75 inch		<i>Applies to Profile S only.</i>						
	-8	1.0 inch								



Shell Size	A Thread UNEF-2B	ø B Max		C Hex Flats		ø D Ref		E Max		F Max		G Max		H Max	
		in	mm	in	mm	in	mm	in	mm	in	mm	in	mm	in	mm
8/9	0.4375-28	.86	21.8	.750	19.1	.250	6.4	.740	18.8	1.000	25.4	.780	19.8	.890	22.6
10/11	0.5625-24	.98	24.9	.875	22.2	.375	9.5	.800	20.3	1.060	26.9	.810	20.6	.920	23.4
12/13	0.6875-24	1.16	29.5	1.000	25.4	.500	12.7	.860	21.8	1.120	28.4	.810	20.6	.940	23.9
14/15	0.8125-20	1.28	32.5	1.125	28.6	.625	15.9	.930	23.6	1.190	30.2	.820	20.8	.970	24.6
16/17	0.9375-20	1.41	35.8	1.250	31.8	.750	19.1	.990	25.1	1.250	31.8	.840	21.3	.990	25.1
18/19	1.0625-18	1.52	38.6	1.375	34.9	.844	21.4	1.050	26.7	1.310	33.3	.850	21.6	1.000	25.4
20/21	1.1875-18	1.64	41.7	1.500	38.1	.968	24.6	1.120	28.4	1.380	35.1	.880	22.4	1.030	26.2
22/23	1.3125-18	1.77	45.0	1.625	41.3	1.094	27.8	1.180	30.0	1.440	36.6	.920	23.4	1.070	27.2
24/25	1.4375-18	1.89	48.0	1.750	44.5	1.219	31.0	1.240	31.5	1.500	38.1	.970	24.6	1.080	27.4