

# Series 32 Extender Backshells

for AS50151 Crimp, M26482 Series II, M83723 Series III, AS95234

## 327A\*060 Extender Backshell, Composite

**Self-Locking**



**Corrosion-free composite.** 327A\*060 extender backshell fits AS50151 crimp (MS3450), AS95234, MIL-DTL-26482 Series II, MIL-DTL-83723 Series III connectors. Extender provides extra room for wiring. Back end of extender is identical to connector back end. Attach cable clamp or backshell to back end. Anti-decoupling mechanism provides audible detented coupling and prevents backoff under high vibration. High performance thermoplastic.

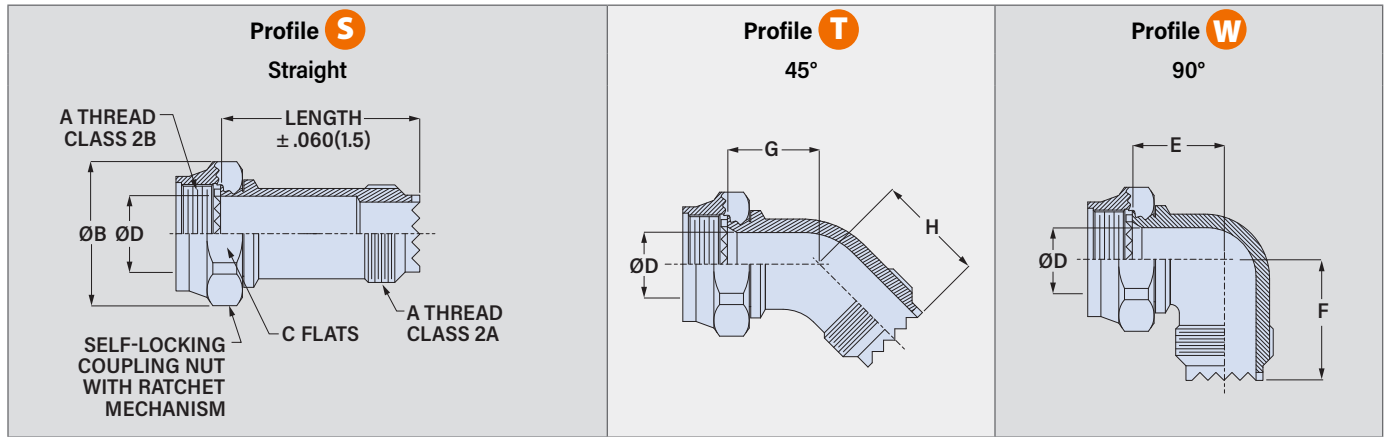
**PART NUMBER**

**327AS060 XM 16 -6**

<b>Base P/N</b>	<b>Base Part No.</b>	<b>Profile</b>	
	<b>327AS060</b>	<b>S</b> Straight	
	<b>327AH060</b>	<b>T</b> 45°	
	<b>327AJ060</b>	<b>W</b> 90°	
<b>Adapter Finish</b>	<b>XB</b> No Plating, Black Color	<i>Coupling nut is unplated</i>	
	<b>XM</b> Electroless Nickel		
	<b>XO</b> No Plating, Amber Color		
	<b>XW</b> Olive Drab Cadmium		
<b>Shell Size</b>	<b>08 10 12 14 16 18 20 22 24</b>		
<b>Length</b>	<b>-6</b> .75 inch	<i>Applies to Profile S only.</i>	
	<b>-8</b> 1.0 inch		

**Adapter Code A**

AS50151 crimp, AS95234, MIL-DTL-26482 Ser. II, MIL-DTL-83723 Ser. III



Shell Size	A Thread	ØB Max in	ØB Max mm	C Hex Flats in	C Hex Flats mm	ØD Ref in	ØD Ref mm	E Max in	E Max mm	F Max in	F Max mm	G Max in	G Max mm	H Max in	H Max mm
08	0.500-20 UNF	.86	21.8	.750	19.1	.250	6.4	.740	18.8	1.000	25.4	.780	19.8	.890	22.6
10	0.625-24 UNEF	.98	24.9	.875	22.2	.375	9.5	.800	20.3	1.060	26.9	.810	20.6	.920	23.4
12	0.750-20 UNEF	1.16	29.5	1.000	25.4	.500	12.7	.860	21.8	1.120	28.4	.810	20.6	.940	23.9
14	0.875-20 UNEF	1.28	32.5	1.125	28.6	.625	15.9	.930	23.6	1.190	30.2	.820	20.8	.970	24.6
16	1.000-20 UNEF	1.41	35.8	1.250	31.8	.750	19.1	.990	25.1	1.250	31.8	.840	21.3	.990	25.1
18	1.0625-18 UNEF	1.52	38.6	1.375	34.9	.844	21.4	1.050	26.7	1.310	33.3	.850	21.6	1.000	25.4
20	1.1875-18 UNEF	1.64	41.7	1.500	38.1	.968	24.6	1.120	28.4	1.380	35.1	.880	22.4	1.030	26.2
22	1.3125-18 UNEF	1.77	45.0	1.625	41.3	1.094	27.8	1.180	30.0	1.440	36.6	.920	23.4	1.070	27.2
24	1.4375-18 UNEF	1.89	48.0	1.750	44.5	1.219	31.0	1.240	31.5	1.500	38.1	.970	24.6	1.080	27.4