

Series 32 Extender Backshells

for Series 80 Mighty Mouse Connectors

320M*030 Extender Backshell, Self-Locking, Expanded Clearance

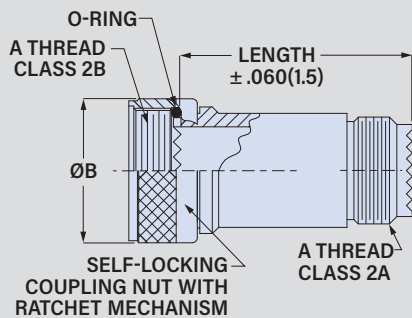
Self-Locking



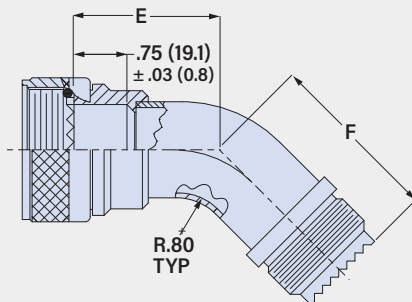
Adapter Code M

This accessory fits Series 80 Mighty Mouse Connectors

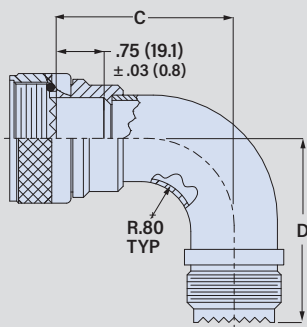
Profile S Straight



Profile M 45°



Profile N 90°



Self-locking. Extra clearance for #8 contacts. 320M*030 extender backshell fits Glenair's Series 80 Mighty Mouse connectors. Extender provides extra clearance for #8 coax, twinax, quadax and octaxial contacts with sealing boots. Back end of extender is identical to connector back end. Attach cable clamp or backshell to extender. Anti-decoupling mechanism provides audible detented coupling and prevents backoff under high vibration. Aluminum or stainless steel with silicone O-ring.

PART NUMBER

320MS030 ME 16 -8

Base P/N	Base Part No.	Profile
	320MS030	S Straight
	320MM030	M 45°
	320MN030	N 90°

Material/Finish

- ME** Alum/ Electroless Nickel
- MT** Alum/ Nickel-PTFE
- NF** Alum/ Olive Drab Cadmium
- ZR** Alum/ Black Zinc-Nickel
- TZ** Alum/ Tin-Zinc
- ZI** SST/ Passivated

Size Code	Shell Size		Coupling Nut Thread UNEF-2B
	Series 800, 801, 803, 804	Series 805	
11	N/A	8	0.3750-32
07	7	9	0.4375-28
08	8	10	0.500-28
09	9	11	0.5625-24
10	10	12	0.625-24
12	11, 12, 13	13	0.6875-24
13	N/A	15	0.750-20
14	14, 15, 16, 17	18, 19	0.9375-20
16	19	21	1.0625-18
17	21	23	1.1875-18

Length

- 8** 2.0 inches
- 10** 2.5 inches
- 12** 3.0 inches
- 14** 3.5 inches

Applies to Profile S only. Length in 1/4 inch increments, 2 inch minimum.

Shell Size Code	Shell Size		A Thread UNEF	øB Max. in	øB Max. mm	C Max. in	C Max. mm	D Max. in	D Max. mm	E Max. in	E Max. mm	F Max. in	F Max. mm
	Series 800, 801, 803, 804	Series 805											
11	N/A	8	0.3750-32	.763	19.4	1.893	48.1	1.393	35.4	1.433	36.4	.933	23.7
07	7	9	0.4375-28	.782	19.9	1.893	48.1	1.393	35.4	1.433	36.4	.933	23.7
08	8	10	0.500-28	.803	20.4	1.955	49.7	1.455	37.0	1.460	37.1	.960	24.4
09	9	11	0.5625-24	.950	24.1	1.955	49.7	1.455	37.0	1.460	37.1	.960	24.4
10	10	12	0.625-24	1.034	26.3	2.107	53.5	1.607	40.8	1.485	37.7	.985	25.0
12	11, 12, 13	13	0.6875-24	1.076	27.3	2.107	53.5	1.607	40.8	1.485	37.7	.985	25.0
13	N/A	15	0.750-20	1.170	29.7	2.170	55.1	1.670	42.4	1.541	39.1	1.041	26.4
14	14, 15, 16, 17	18, 19	0.9375-20	1.320	33.5	2.275	57.8	1.775	45.1	1.580	40.1	1.080	27.4
16	19	21	1.0625-18	1.470	37.3	2.338	59.4	1.838	46.7	1.606	40.8	1.106	28.1
17	21	23	1.1875-18	1.582	40.2	2.399	60.9	1.899	48.2	1.588	40.3	1.088	27.6