

Series 32 Extender Backshells

for MIL-DTL-38999 Series III and IV Connectors

320HS002 Extender Backshell, Direct Coupling



Adapter Code H

This accessory fits these connectors:
MIL-DTL-38999 Series III and Series IV

Direct coupling. Low profile. 320FS002 extender backshell fits MIL-DTL-38999 Series III and IV connectors. Extender provides extra room for wiring. Back end of extender is identical to connector back end. Attach cable clamp or backshell to back end. Aluminum or stainless steel.

PART NUMBER

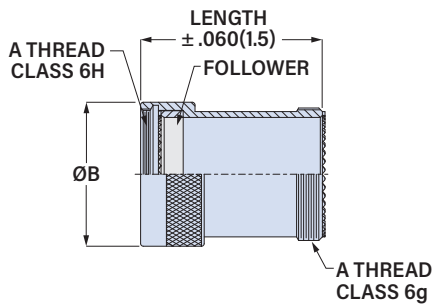
320HS002 NF 17 -3

Base P/N 320HS002

Material/Finish
M Alum/ Electroless Nickel
MT Alum/ Nickel-PTFE
NF Alum/ Olive Drab Cadmium
ZR Alum/ Black Zinc-Nickel
TZ Alum/ Tin-Zinc
Z1 SST/ Passivated

| Shell Size | Shell Size | 9 | 11 | 13 | 15 | 17 | 19 | 21 | 23 | 25 |
|------------|------------|-----------|-----------|-----------|-----------|-----------|-----------|-----------|-----------|-----------|
| | Size Code | A | B | C | D | E | F | G | H | J |
| | | 09 | 11 | 13 | 15 | 17 | 19 | 21 | 23 | 25 |

Length
-2 1.0 inch
-3 1.5 inches
-4 2.0 inches *Length in ½ inch increments*
-5 2.5 inches
-6 3.0 inches



| Shell Size | A Thread | ø B Max. | |
|------------|----------|----------|------|
| | | in | mm |
| 9 (A) | M12X1.0 | .65 | 16.5 |
| 11 (B) | M15X1.0 | .77 | 19.6 |
| 13 (C) | M18X1.0 | .89 | 22.6 |
| 15 (D) | M22X1.0 | 1.03 | 26.2 |
| 17 (E) | M25X1.0 | 1.15 | 29.2 |
| 19 (F) | M28X1.0 | 1.28 | 32.5 |
| 21 (G) | M31X1.0 | 1.41 | 35.8 |
| 23 (H) | M34X1.0 | 1.53 | 38.9 |
| 25 (J) | M37X1.0 | 1.66 | 42.2 |