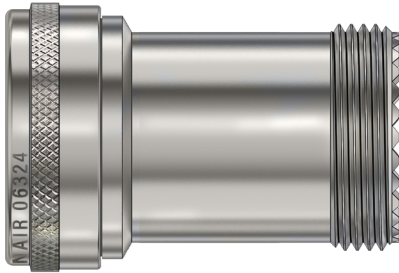


Series 32 Extender Backshells

for MIL-DTL-38999 Series I and II Connectors

320F*001 Extender Backshell, Spin Coupling



Adapter Code F

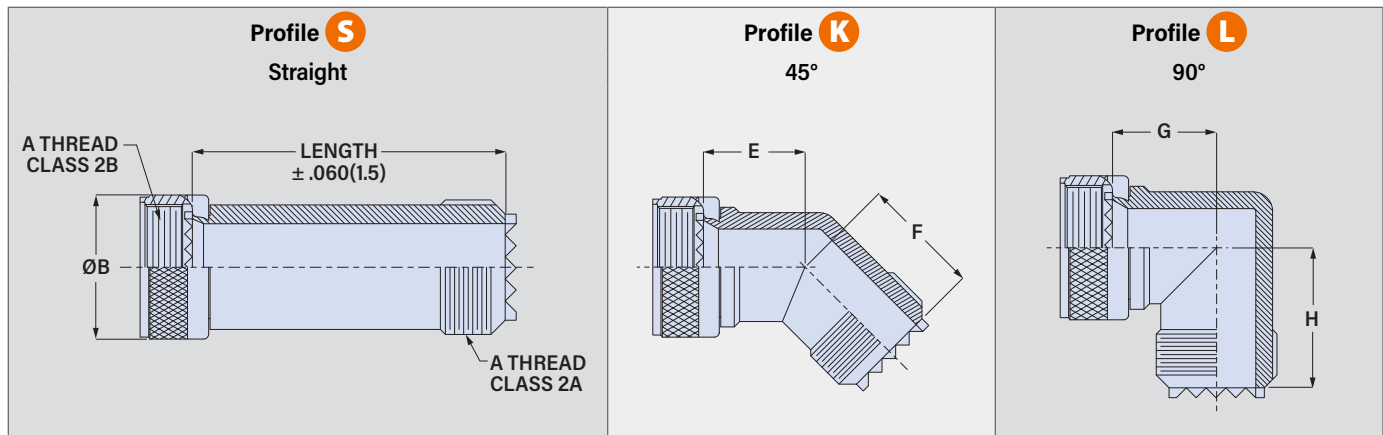
This accessory fits these connectors:
MIL-DTL-38999 Series I and Series II

Spin coupling. 320F*001 extender backshell fits MIL-DTL-38999 Series I and II connectors. Extender provides extra room for wiring. Back end of extender is identical to connector back end. Attach cable clamp or backshell to back end. Aluminum or stainless steel.

PART NUMBER

320FS001 M 16 -3

Base P/N	Base Part No.	Profile								
	320FS001	S Straight								
	320FK001	K 45°								
	320FL001	L 90°								
Material/Finish	M	Alum/ Electroless Nickel								
	MT	Alum/ Nickel-PTFE								
	NF	Alum/ Olive Drab Cadmium								
	ZR	Alum/ Black Zinc-Nickel								
	TZ	Alum/ Tin-Zinc								
	ZI	SST/ Passivated								
Shell Size	Shell Size									
	38999 Series I	9	11	13	15	17	19	21	23	25
	38999 Series II	8	10	12	14	16	18	20	22	24
	Size Code	08	10	12	14	16	18	20	22	24
Length	-2	1.0 inch								
	-3	1.5 inches								
	-4	2.0 inches								
	-5	2.5 inches								
	-6	3.0 inches								
		<i>Applies to Profile S only. Length in ½ inch increments, 1.5 inch minimum.</i>								



Shell Size	A Thread UNEF	øB Max in	mm	E Max. in	mm	F Max. in	mm	G Max. in	mm	H Max. in	mm
8/9	0.4375-28	.650	16.5	.830	21.1	.890	22.6	.940	23.9	1.000	25.4
10/11	0.5625-24	.770	19.6	.860	21.8	.920	23.4	1.010	25.7	1.070	27.2
12/13	0.6875-24	.890	22.6	.882	22.4	.942	23.9	1.070	27.2	1.130	28.7
14/15	0.8125-20	1.020	25.9	.900	22.9	.970	24.6	1.130	28.7	1.190	30.2
16/17	0.9375-20	1.150	29.2	.930	23.6	.990	25.1	1.190	30.2	1.250	31.8
18/19	1.0625-18	1.230	31.2	.950	24.1	1.010	25.7	1.240	31.5	1.300	33.0
20/21	1.1875-18	1.360	34.5	.980	24.9	1.040	26.4	1.310	33.3	1.370	34.8
22/23	1.3125-18	1.480	37.6	1.000	25.4	1.060	26.9	1.360	34.5	1.420	36.1
24/25	1.4375-18	1.730	43.9	1.030	26.2	1.090	27.7	1.540	39.1	1.490	37.8