

Series 32 Extender Backshells

for AS50151 Crimp, M26482 Series II, M83723 Series III, AS95234

320AS002 Extender Backshell, Direct Coupling



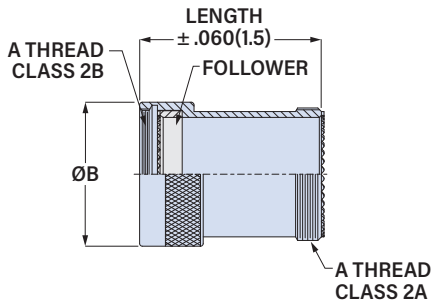
Direct coupling. Low profile. 320AS002 extender backshell fits AS50151 crimp (MS3450), AS95234, MIL-DTL-26482 Series II, MIL-DTL-83723 Series III connectors. Extender provides extra room for wiring. Back end of extender is identical to connector back end. Attach cable clamp or backshell to back end. Aluminum or stainless steel.

Adapter Code A
 AS50151 crimp, AS95234, MIL-DTL-26482 Ser. II, MIL-DTL-83723 Ser. III

PART NUMBER

		320AS002	NF	16	-3
Base P/N	320AS002				
Material/Finish	M	Alum/ Electroless Nickel			
	MT	Alum/ Nickel-PTFE			
	NF	Alum/ Olive Drab Cadmium			
	ZR	Alum/ Black Zinc-Nickel			
	TZ	Alum/ Tin-Zinc			
	ZI	SST/ Passivated			
Shell Size	08 10 12 14 16 18 20 22 24 28 32 36 40				
Length	-3	1.5 inches			
	-4	2.0 inches			
	-5	2.5 inches			
	-6	3.0 inches			

Length in 1/2 inch increments, 1.5 inch minimum.



Shell Size	A Thread	ø B Max.	
		in	mm
08	0.500-20 UNF	.65	16.5
10	0.625-24 UNEF	.77	19.6
12	0.750-20 UNEF	.97	24.6
14	0.875-20 UNEF	1.09	27.7
16	1.000-20 UNEF	1.22	31.0
18	1.0625-18 UNEF	1.22	31.0
20	1.1875-18 UNEF	1.34	34.0
22	1.3125-18 UNEF	1.47	37.3
24	1.4375-18 UNEF	1.59	40.4
28	1.750-18 UNS	1.97	50.0
32	2.000-18 UNS	2.28	57.9
36	2.250-16 UN	2.53	64.3
40	2.500-16 UN	2.78	70.6