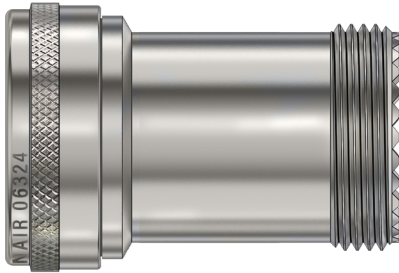


Series 32 Extender Backshells

for AS50151 Crimp, M26482 Series II, M83723 Series III, AS95234

320A*001 Extender Backshell, Spin Coupling



Adapter Code **A**

AS50151 crimp, AS95234, MIL-DTL-26482
Ser. II, MIL-DTL-83723 Ser. III

Spin coupling. 320A*001 extender backshell fits AS50151 crimp (MS3450), AS95234, MIL-DTL-26482 Series II, MIL-DTL-83723 Series III connectors. Extender provides extra room for wiring. Back end of extender is identical to connector back end. Attach cable clamp or backshell to back end. Aluminum or stainless steel.

PART NUMBER

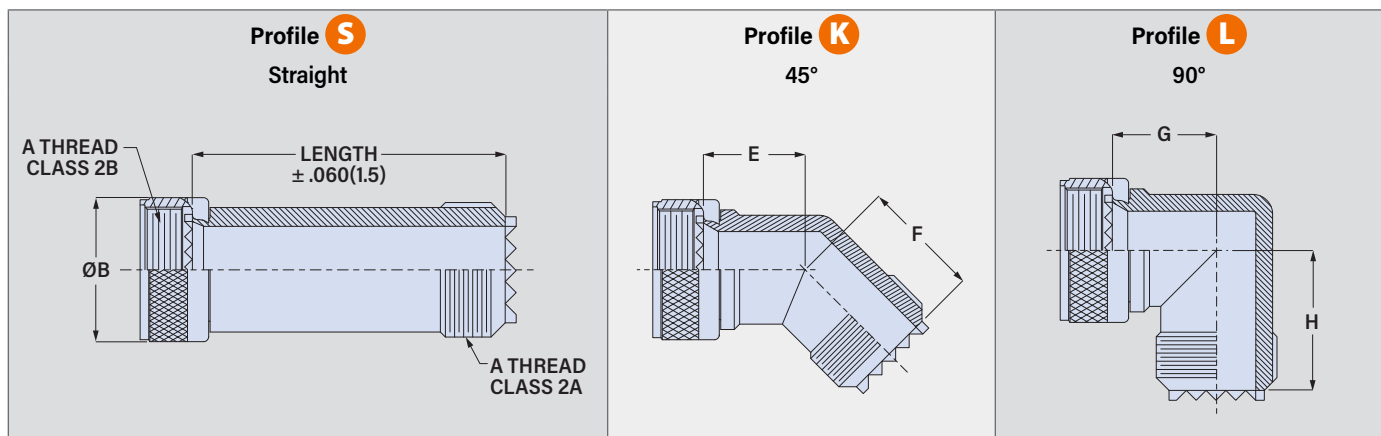
320AS001 M 16 -3

Base P/N	Base Part No.	Profile
	320AS001	S Straight
	320AK001	K 45°
	320AL001	L 90°

Material/Finish	Material/Finish
M	Alum/ Electroless Nickel
MT	Alum/ Nickel-PTFE
NF	Alum/ Olive Drab Cadmium
ZR	Alum/ Black Zinc-Nickel
TZ	Alum/ Tin-Zinc
ZI	SST/ Passivated

Shell Size	Shell Size
08 10 12 14 16 18 20 22 24 28 32 36 40	

Length	Length	Notes
-3	1.5 inches	<i>Applies to Profile S only. Length in ½ inch increments, 1.5 inch minimum.</i>
-4	2.0 inches	
-5	2.5 inches	
-6	3.0 inches	



Shell Size	A Thread	ø B Max.		E Max.		F Max.		G Max.		H Max.	
		in	mm	in	mm	in	mm	in	mm	in	mm
08	0.500-20 UNF	.65	16.5	.830	21.1	.890	22.6	.940	23.9	1.000	25.4
10	0.625-24 UNEF	.77	19.6	.860	21.8	.920	23.4	1.010	25.7	1.070	27.2
12	0.750-20 UNEF	.94	23.9	.882	22.4	.942	23.9	1.070	27.2	1.130	28.7
14	0.875-20 UNEF	1.07	27.2	.900	22.9	.970	24.6	1.130	28.7	1.190	30.2
16	1.000-20 UNEF	1.21	30.7	.930	23.6	.990	25.1	1.190	30.2	1.250	31.8
18	1.0625-18 UNEF	1.23	31.2	.950	24.1	1.010	25.7	1.240	31.5	1.300	33.0
20	1.1875-18 UNEF	1.36	34.5	.980	24.9	1.040	26.4	1.310	33.3	1.370	34.8
22	1.3125-18 UNEF	1.48	37.6	1.000	25.4	1.060	26.9	1.360	34.5	1.420	36.1
24	1.4375-18 UNEF	1.73	43.9	1.030	26.2	1.090	27.7	1.540	39.1	1.490	37.8
28	1.750-18 UNS	1.97	50.0	1.480	37.6	1.140	29.0	1.670	42.4	1.600	40.6
32	2.000-18 UNS	2.22	56.4	1.610	40.9	1.180	30.0	1.780	45.2	1.690	42.9
36	2.250-16 UN	2.47	62.7	1.720	43.7	1.230	31.2	1.890	48.0	1.800	45.7
40	2.500-16 UN	2.72	69.1	1.830	46.5	1.270	32.3	2.010	51.1	1.910	48.5