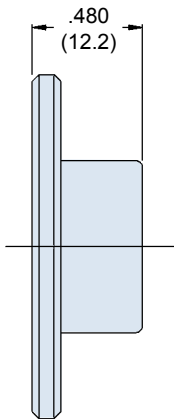
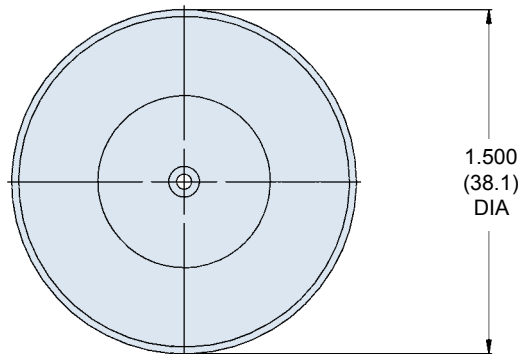
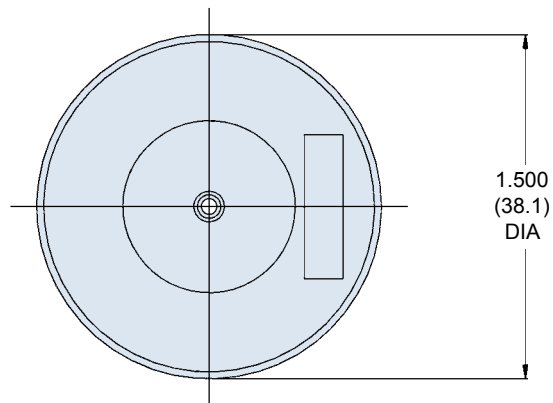


P



S



APPLICATION NOTES

1. Metric dimensions (mm) are indicated in parentheses.
2. Assembly packaged in plastic bag and tag identified with manufacturer's name and part number.
3. Material/Finish: Stainless steel/passivated.