

Basic Part Number	Finish (See Table I)	Basic Box Number
147-020	XMS	05

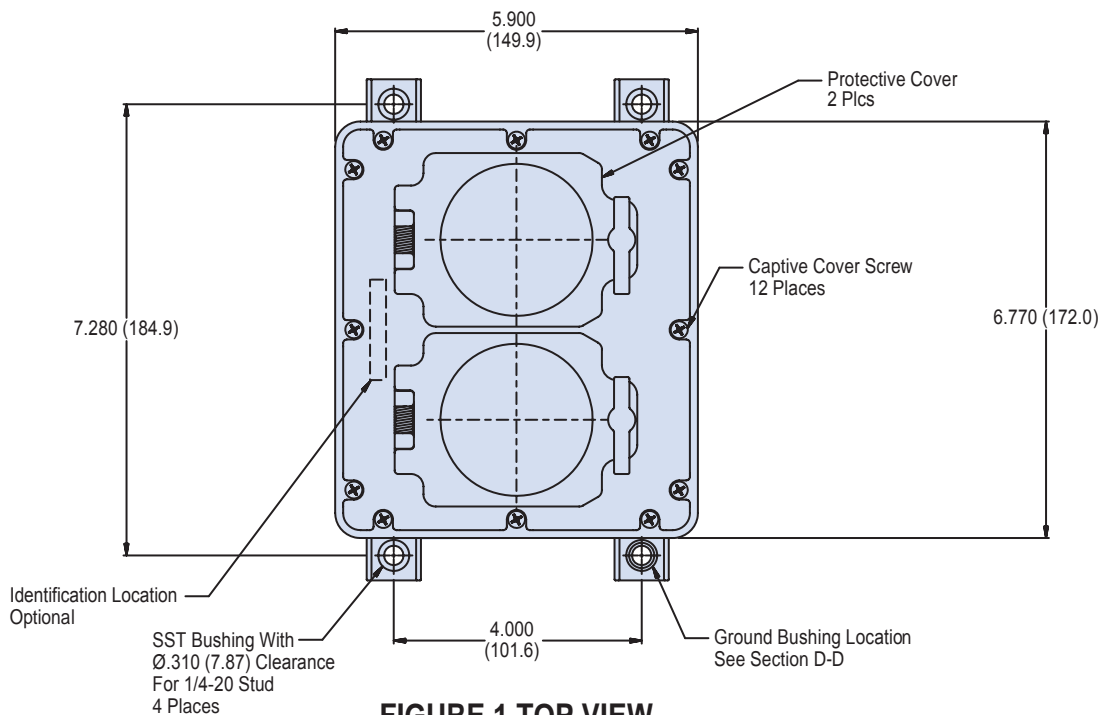
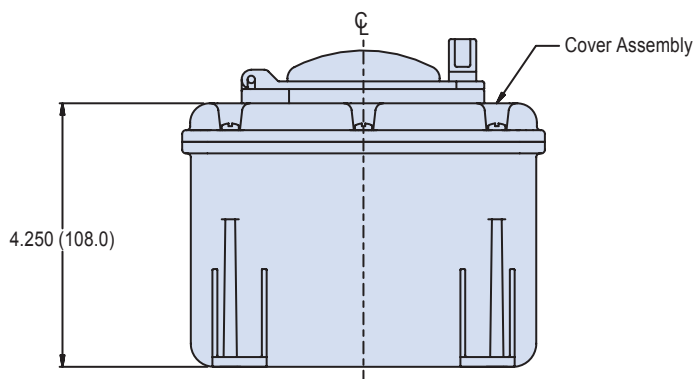


FIGURE 1 TOP VIEW

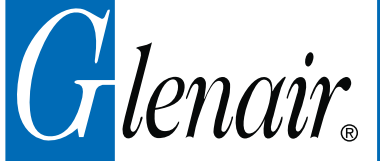


E

147-020XMS-05

(NSN: 5940-01-557-2634)

Dual Electrical Blade Type Receptacle Composite Box
15 Amp, 115 Volt 60 Hz, Grounded • Size 6.8 x 5.9 x 4.25



Junction
Boxes

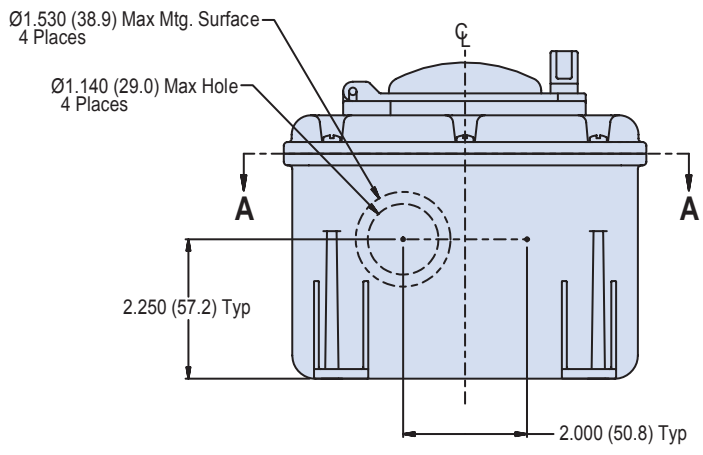
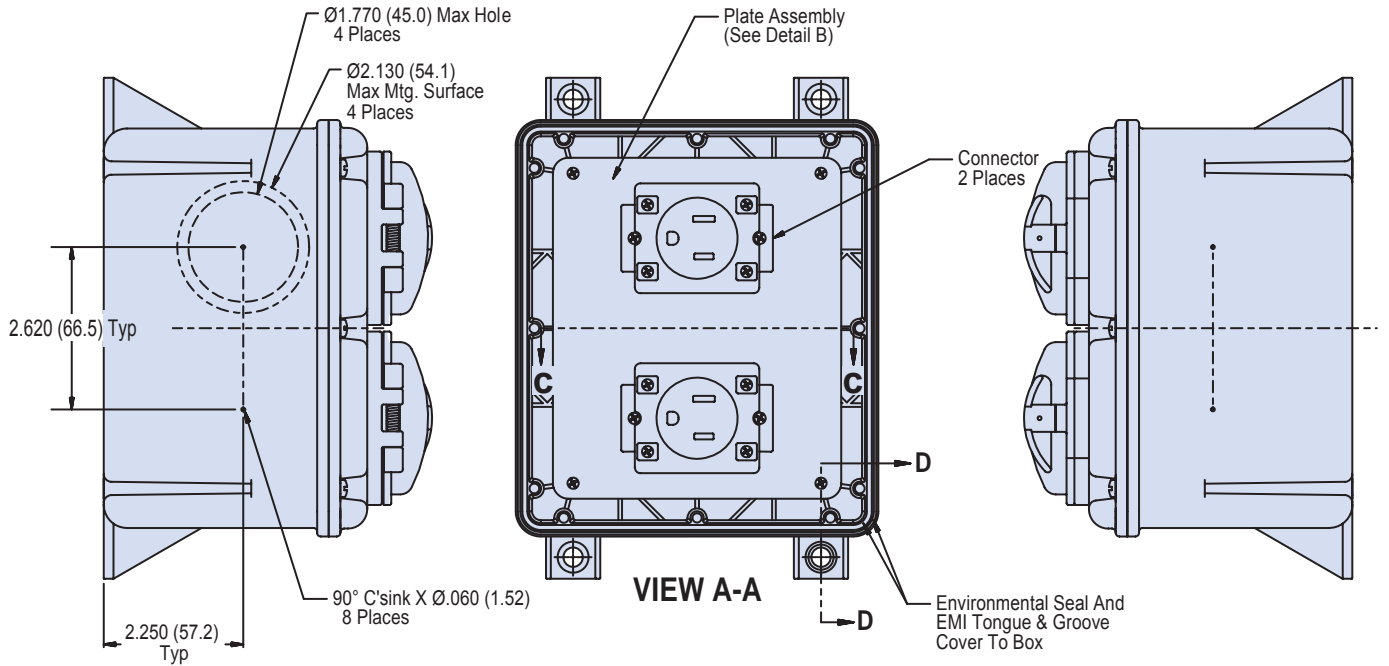
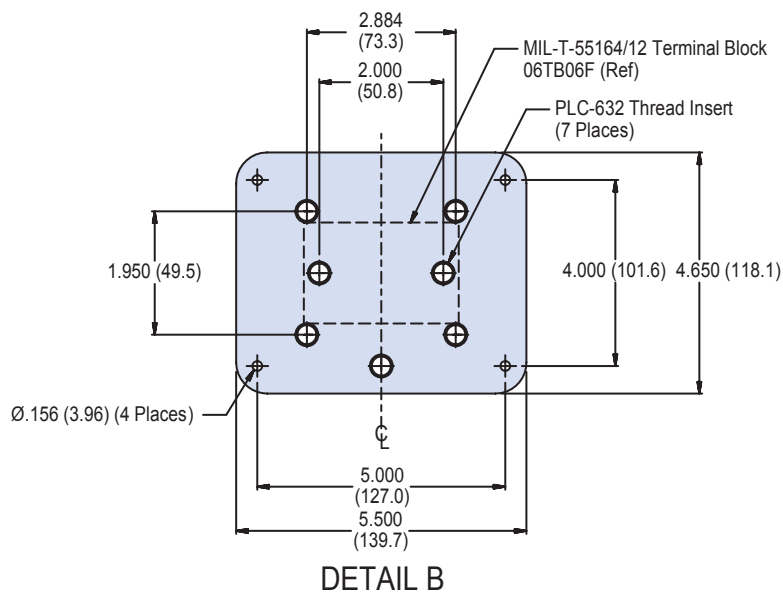


FIGURE 2

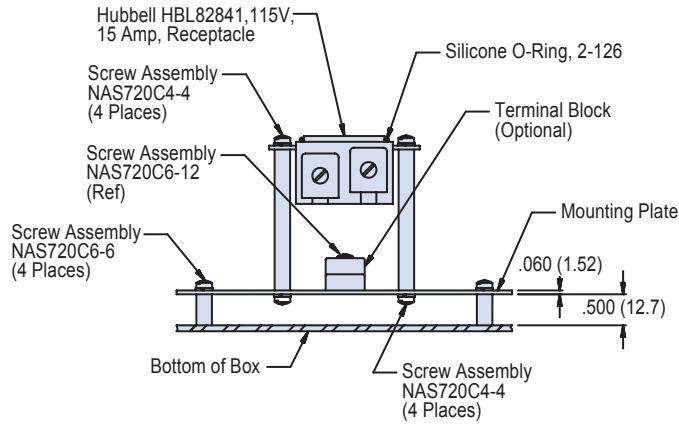
E



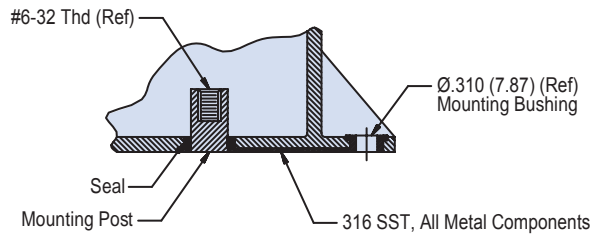
APPLICATION NOTES

1. Assembly identified with manufacturer's code identification number (Glenair, part number and date code).
2. Color may be subject to fading, however UV exposure will not affect material physical properties.
3. Assembly is similar to symbol part numbers and require installation in accordance with NAVSEA drawing 803-6983506.
4. Material / Finish:
 - Box, cover - Thermoplastic grey color/see Table I.
 - Hardware - 316 SST/passivate.
 - Seals and gaskets - Silicone/N.A.
 - Mounting Plate - 300 series SST/passivate.
5. Metric dimensions (mm) are indicated in parentheses.

147-020XMS-05
(NSN: 5940-01-557-2634)
Dual Electrical Blade Type Receptacle Composite Box
15 Amp, 115 Volt 60 Hz, Grounded • Size 6.8 x 5.9 x 4.25



VIEW C-C



SECTION D-D

**Electrical Ground Through Internal
 Mounting Post To External Mounting Bushing**

TABLE I: Finish

Symbol	Description
XMS	Internal Surfaces - Electroless Nickel Exterior Surfaces - Unplated Light Grey Color
XO	No Plating

TABLE II: Replacement Parts

Item	Part Number	Description	Material
1	140-065XMS-16	Cover Assembly	Grey Thermoplastic
2	687-499-2	Cover Screw Assembly	316 SST/Passivate
3	687-305Z132	Mounting Plate Assembly	300 Series SST
4	630-038XO-04K	1/8 Turn Flop Lid	Grey Thermoplastic
5	HBL82841	Electrical Connector	N/A