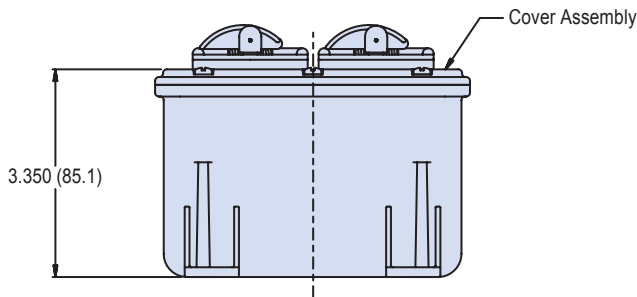
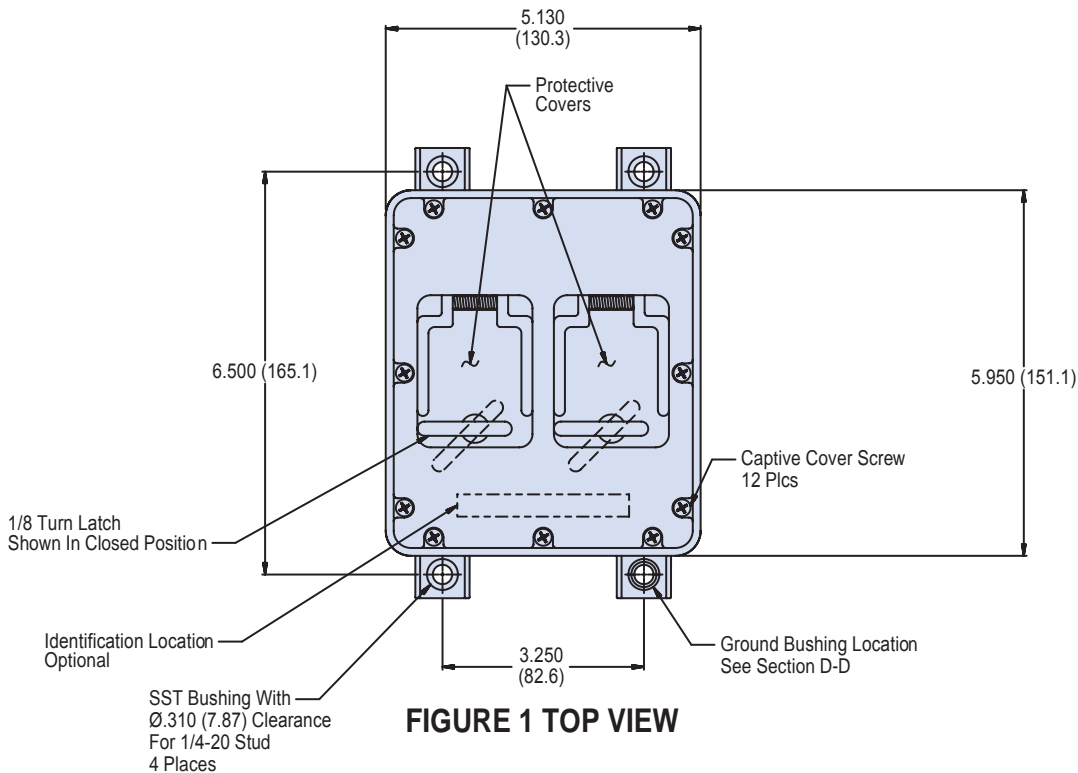




147-020XMS-02
(NSN: 5975-01-556-9504)
Dual Electrical Blade Type Receptacle Composite Box
15 Amp, 125 Volt 60 Hz, Grounded • Size 6.0 x 5.2 x 3.4

| Basic Part Number | Finish (See Table I) | Basic Box Number |
|-------------------|----------------------|------------------|
| 147-020 | XMS | 02 |



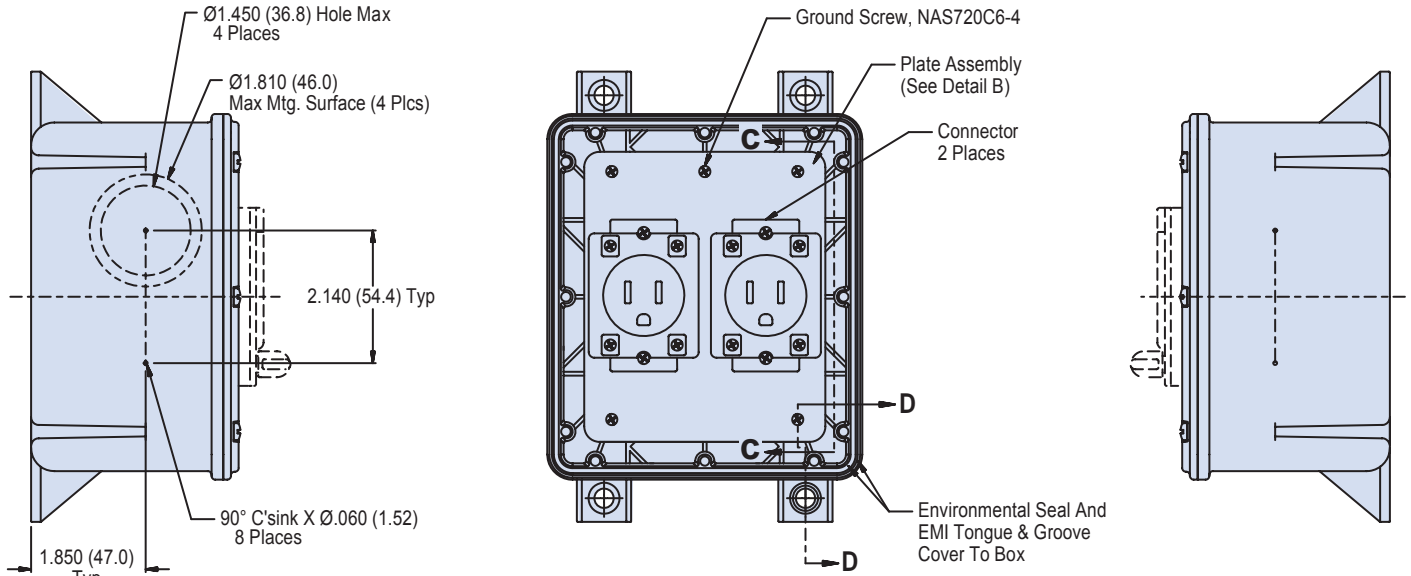
E

147-020XMS-02
(NSN: 5975-01-556-9504)

Dual Electrical Blade Type Receptacle Composite Box
15 Amp, 125 Volt 60 Hz, Grounded • Size 6.0 x 5.2 x 3.4



Junction
Boxes



VIEW A-A

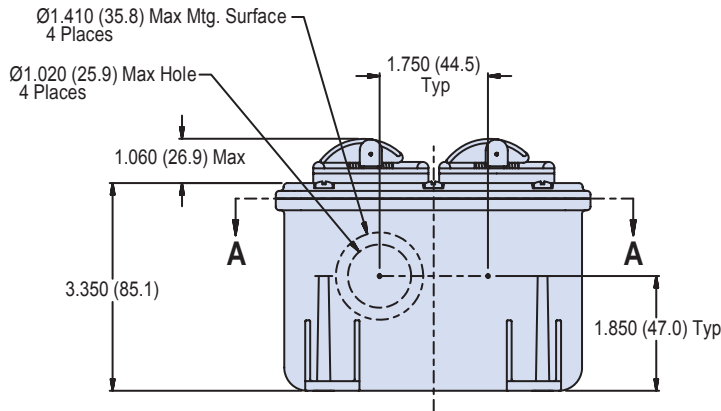
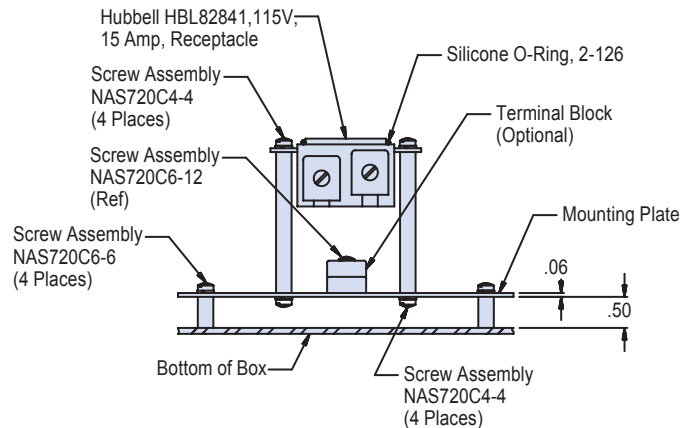
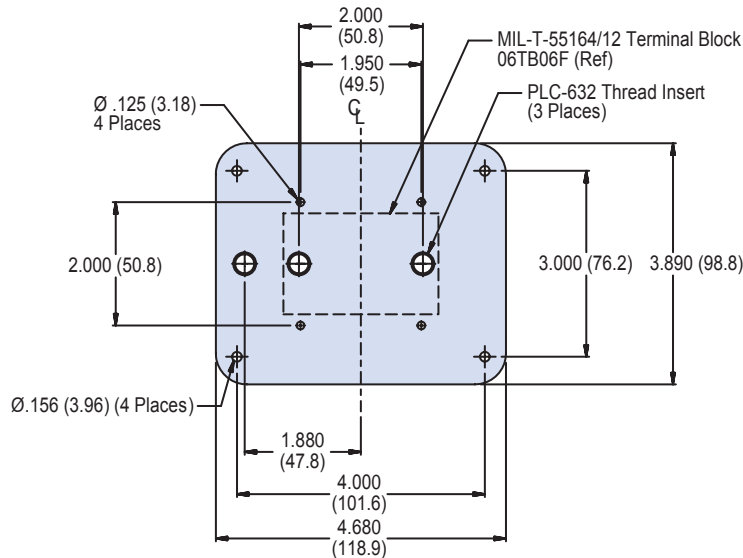


FIGURE 2

E

147-020XMS-02
(NSN: 5975-01-556-9504)
Dual Electrical Blade Type Receptacle Composite Box
15 Amp, 125 Volt 60 Hz, Grounded • Size 6.0 x 5.2 x 3.4



APPLICATION NOTES

- Assembly identified with manufacturer's code identification number (Glenair, part number and date code).
- Color may be subject to fading, however UV exposure will not affect material physical properties.
- Assembly is similar to symbol part numbers and require installation in accordance with NAVSEA drawing 803-6983506.
- Material / Finish:
 Box, cover - Thermoplastic grey color/see Table I.
 Hardware - 316 SST/passivate.
 Seals and gaskets - Silicone/N.A.
 Mounting Plate - 300 series SST/passivate.
- Not for use with thread collar receptacle, see 147-020XMS-05.
- Metric dimensions (mm) are indicated in parentheses.

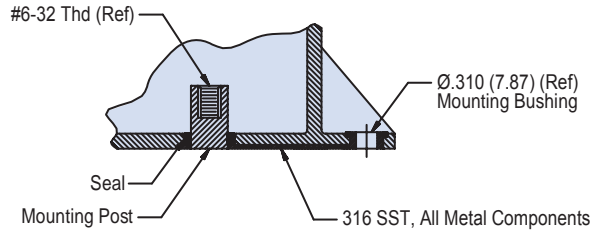
147-020XMS-02

(NSN: 5975-01-556-9504)

Dual Electrical Blade Type Receptacle Composite Box
15 Amp, 125 Volt 60 Hz, Grounded • Size 6.0 x 5.2 x 3.4



Junction
Boxes



SECTION D-D

**Electrical Ground Through Internal
Mounting Post To External Mounting Bushing**

TABLE I: Finish

| Symbol | Description |
|--------|---|
| XMS | Internal Surfaces - Electroless Nickel Exterior Surfaces - Unplated Light Grey Color |
| XO | No Plating |

TABLE II: Replacement Parts

| Item | Part Number | Description | Material |
|------|---------------|-------------------------|--------------------|
| 1 | 140-065XMS-03 | Cover Assembly | Grey Thermoplastic |
| 2 | 687-499-2 | Cover Screw Assembly | 316 SST/Passivate |
| 3 | 687-305Z132 | Mounting Plate Assembly | 300 Series SST |
| 4 | 630-038XO-04K | 1/8 Turn Flop Lid | Grey Thermoplastic |
| 5 | HBL8284I | Electrical Connector | N/A |

E