



**811-001-06ME9-42SA**

Series 811 Plug



**811-003-07ME9-42PA**

Series 811 Receptacle

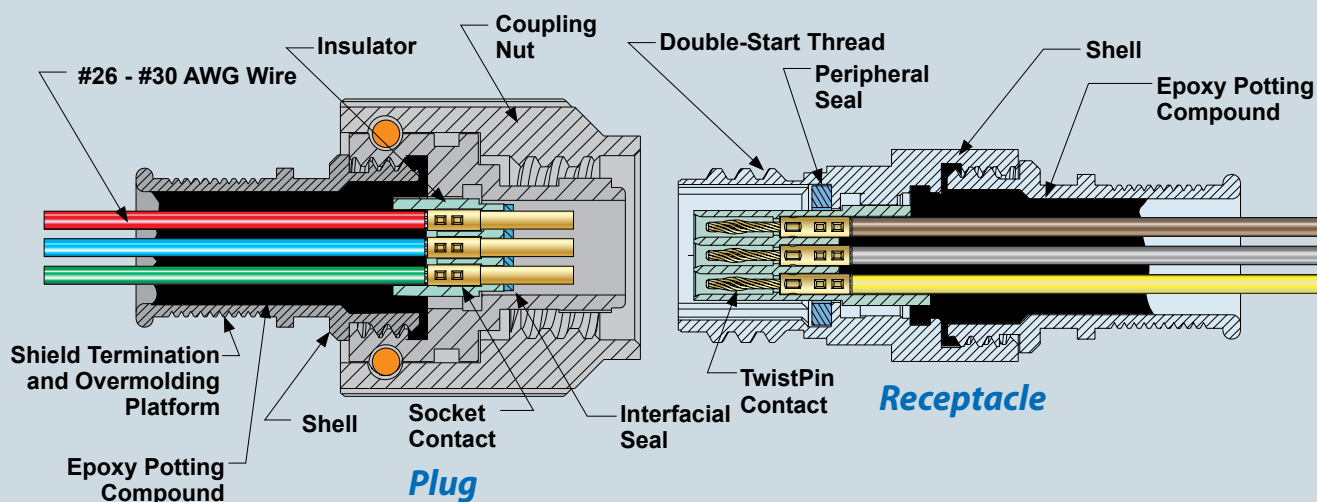
- High Density Micro TwistPin Contact System
- 600 VAC DWV Rating
- 7 to 42 Contacts
- 3 Amp Current Rating
- Water Resistant to 1 Meter

## New Mighty Mouse High Density Connector Delivers Size and Weight Savings and Outstanding Performance



New Series 811 Mighty Mouse HD connector features high performance TwistPin contacts for increased circuit density and outstanding shock and vibration performance. High density .050 inch (1.27mm) contact spacing essentially doubles the pincount compared to our standard Mighty Mouse. The unique spring construction of the pin contact results in excellent resistance to high levels of shock and vibration. Three configurations are available: pre-wired pigtail cable assemblies with insulated hookup wire, shielded cordsets, and printed circuit board versions. Connectors are backpotted with epoxy and are suitable for hostile environment applications. The Series 811 Mighty Mouse HD connector is a double-start ACME threaded version, available with 7, 12, 22, 30 and 42 contacts for size #26 to #30 AWG wire.

### Series 811 Mighty Mouse HD with High Performance TwistPins



Dimensions in Inches (millimeters) are subject to change without notice.

# Series 811 Mighty Mouse High Density (HD) Introduction



## About TwistPin Contacts

Widely used for radars, missiles, avionics, and space vehicles, the Micro TwistPin is a spring pin composed of helically wound strands of copper alloy wire, welded into a bundle, then "bulged" and crimped to a copper alloy sleeve. These gold over nickel plated pins and sockets offer low, stable contact resistance even when subjected to temperature extremes and vibration. Designers of soldier systems electronics equipment have turned to the TwistPin contact in order to reduce the size and weight of warfighter electronics.

Unlike other microminiature contact systems, the TwistPin contact is terminated to wire with a military-approved four-indent crimp joint. Crimping results in a gas tight connection between the wire and the contact.

TwistPin Contact



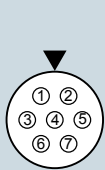
TwistPin



Socket

### SERIES 811 MIGHTY MOUSE HD CONTACT ARRANGEMENTS

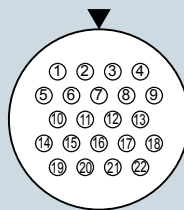
Pin insert shown, use reverse order for socket inserts.



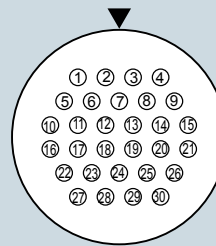
**5-7**  
7 Contacts



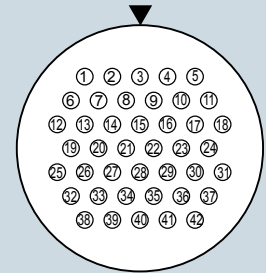
**6-12**  
12 Contacts



**7-22**  
22 Contacts



**8-30**  
30 Contacts



**9-42**  
42 Contacts

### MIL-STD-681 COLOR CODE CHART

PIN NO.	MIL-STD-681 NUMBER	Base Color	First Stripe	Second Stripe	PIN NO.	MIL-STD-681 NUMBER	Base Color	First Stripe	Second Stripe
1	0	BLK			22	903	WHT	BLK	ORN
2	1	BRN			23	904	WHT	BLK	YEL
3	2	RED			24	905	WHT	BLK	GRN
4	3	ORN			25	906	WHT	BLK	BLU
5	4	YEL			26	907	WHT	BLK	VIO
6	5	GRN			27	908	WHT	BLK	GRY
7	6	BLU			28	912	WHT	BRN	RED
8	7	VIO			29	913	WHT	BRN	ORN
9	8	GRY			30	914	WHT	BRN	YEL
10	9	WHT			31	915	WHT	BRN	GRN
11	90	WHT	BLK		32	916	WHT	BRN	BLU
12	91	WHT	BRN		33	917	WHT	BRN	VIO
13	92	WHT	RED		34	918	WHT	BRN	GRY
14	93	WHT	ORN		35	923	WHT	RED	ORN
15	94	WHT	YEL		36	924	WHT	RED	YEL
16	95	WHT	GRN		37	925	WHT	RED	GRN
17	96	WHT	BLU		38	926	WHT	RED	BLU
18	97	WHT	VIO		39	927	WHT	RED	VIO
19	98	WHT	GRY		40	928	WHT	RED	GRY
20	901	WHT	BLK	BRN	41	934	WHT	ORN	YEL
21	902	WHT	BLK	RED	42	935	WHT	ORN	GRN

Dimensions in Inches (millimeters) are subject to change without notice.