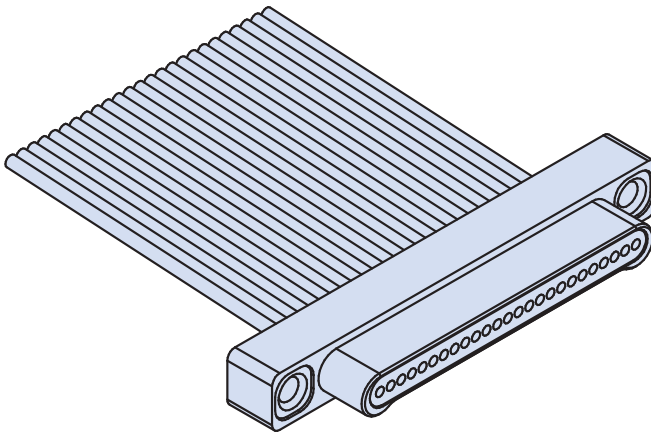


MIL-DTL-32139/01 and /02 Nanominiature Connectors Single Row Insulated Wire Pigtail Assemblies



Glenair's Pigtail Nano Connectors feature gold alloy TwistPin contacts. Contacts are precision-cripped to insulated, stranded wire. These nanominiature connectors offer premium performance and reliability for demanding applications. Contact spacing is .025 inches. 1 amp current rating, DWV rating 300 volts AC.

TwistPin Contact System assures premium performance in demanding environments. The gold/platinum alloy contacts will stand up to years of exposure without corrosion.

Typical Applications include UAV's, satellites, missile systems and geophysical instruments.

TABLE 1 M32139 WIRE TYPE

Wire Type	Specification	Color	Length Inches (mm)
01	NEMA HP3-ETXBBB	White	6 (152)
02	NEMA HP3-ETXBBB	White	18 (457)
03	NEMA HP3-ETXBBB	White	36 (914)
04	NEMA HP3-ETXBBB	10 Color ⁽²⁾	6 (152)
05	NEMA HP3-ETXBBB	10 Color ⁽²⁾	18 (457)
06	NEMA HP3-ETXBBB	10 Color ⁽²⁾	36 (914)
07	M22759/33-30	White	6 (152)
08	M22759/33-30	White	18 (457)
09	M22759/33-30	White	36 (914)
10	M22759/33-30	10 Color ⁽²⁾	6 (152)
11	M22759/33-30	10 Color ⁽²⁾	18 (457)
12	M22759/33-30	10 Color ⁽²⁾	36 (914)
13	04047-30A ⁽¹⁾	White	6 (152)
14	04047-30A ⁽¹⁾	White	18 (457)
15	04047-30A ⁽¹⁾	White	36 (914)
16	04047-30A ⁽¹⁾	10 Color ⁽²⁾	6 (152)
17	04047-30A ⁽¹⁾	10 Color ⁽²⁾	18 (457)
18	04047-30A ⁽¹⁾	10 Color ⁽²⁾	36 (914)

Notes:

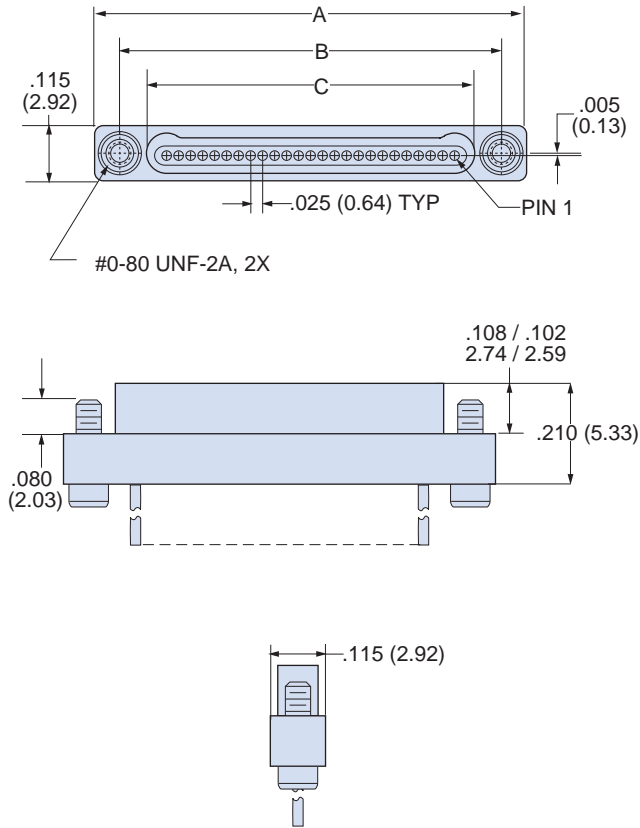
1. DSCC 04047 is a special composite wire subject to additional cost and longer delivery.
2. Color coding per MIL-STD-681, System 1, except using ten solid colors in repeating sequence.

HOW TO ORDER SINGLE ROW MIL-DTL-32139 NANOMINIATURE CONNECTORS

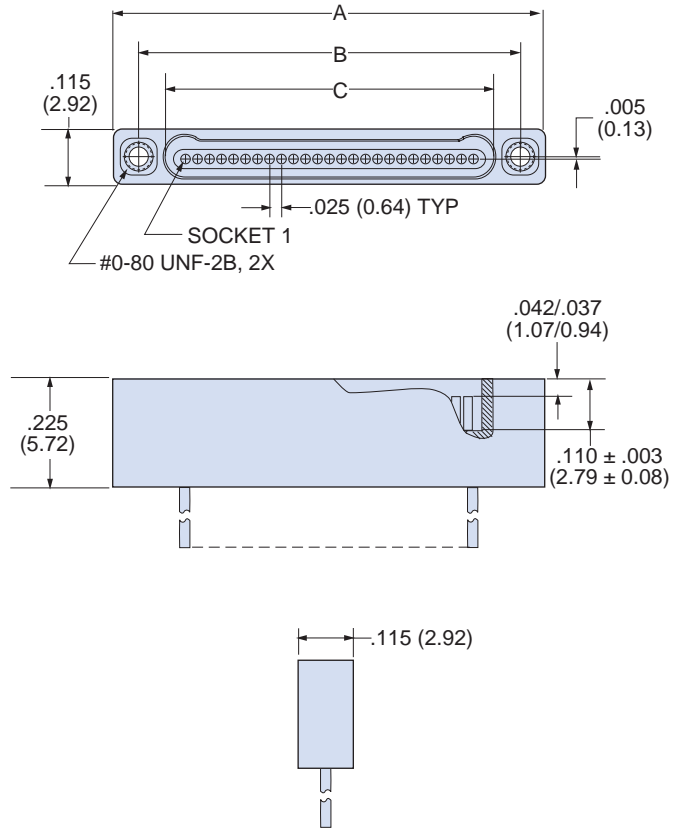
Series	Insert Arrangement	Wire Type	Hardware	Shell Material and Finish	Space Class
M32139/01 Plug, Pin Contacts, Single Row, Nanominiature	A – 9 contacts B – 15 contacts C – 21 contacts D – 25 contacts E – 31 contacts	See Table 1 All wire types specify 30 AWG stranded wire.	S Jackscrew M32139/03 Plug Only T Threaded Hole M32139/04 Receptacle Only	C Aluminum, Cadmium Finish (Not for Space) N Aluminum, Electroless Nickel Finish S Stainless Steel, Passivated Finish T Titanium (No Finish)	(Blank) for non-space applications S Space Grade
Sample Part Number					
M32139/01	-A	01	S	N	S

SINGLE ROW NANO PIGTAIL DIMENSIONS

Plug (Pin) Connectors



Receptacle (Socket) Connectors



Layout	A		B BSC.		C BSC.	
	In. ± .005	mm. ± 0.13	In.	mm.	In.	mm.
9P	.500	12.70	.395	10.03	.284	7.21
9S	.500	12.70	.395	10.03	.285	7.24
15P	.650	16.51	.545	13.84	.434	11.02
15S	.650	16.51	.545	13.84	.435	11.05
21P	.800	20.32	.695	17.65	.584	14.83
21S	.800	20.32	.695	17.65	.585	14.86
25P	.900	22.86	.795	20.19	.684	17.37
25S	.900	22.86	.795	20.19	.685	17.40
31P	1.050	26.67	.945	24.00	.834	21.18
31S	1.050	26.67	.945	24.00	.835	21.21
37P	1.200	30.48	1.095	27.81	.984	24.99
37S	1.200	30.48	1.095	27.81	.985	24.02
51P	1.550	39.37	1.445	36.70	1.334	33.88
51S	1.550	39.37	1.445	36.70	1.335	33.91