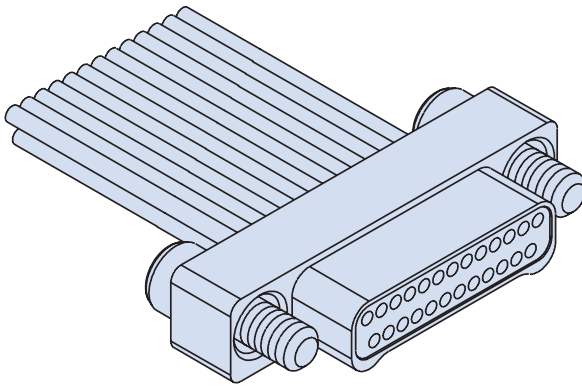


# MIL-DTL-32139/03 and /04 Nanominiature Connectors Double Row Insulated Wire Pigtail Assemblies



MIL-DTL-32139



**Glenair's Pigtail Nano Connectors** feature gold alloy TwistPin contacts. Contacts are precision-crimped to insulated, stranded wire. These nanominiature connectors offer premium performance and reliability for demanding applications. Contact spacing is .025 inches. 1 amp current rating, DWV rating 300 volts AC.

**TwistPin Contact System** assures premium performance in demanding environments. The gold/platinum alloy contacts will stand up to years of exposure without corrosion.

**Typical Applications** include UAV's, satellites, missile systems and geophysical instruments.

**TABLE 1 M32139 WIRE TYPE**

Wire Type	Specification	Color	Length Inches (mm)
01	NEMA HP3-ETXBBB	White	6 (152)
02	NEMA HP3-ETXBBB	White	18 (457)
03	NEMA HP3-ETXBBB	White	36 (914)
04	NEMA HP3-ETXBBB	10 Color <sup>(2)</sup>	6 (152)
05	NEMA HP3-ETXBBB	10 Color <sup>(2)</sup>	18 (457)
06	NEMA HP3-ETXBBB	10 Color <sup>(2)</sup>	36 (914)
07	M22759/33-30	White	6 (152)
08	M22759/33-30	White	18 (457)
09	M22759/33-30	White	36 (914)
10	M22759/33-30	10 Color <sup>(2)</sup>	6 (152)
11	M22759/33-30	10 Color <sup>(2)</sup>	18 (457)
12	M22759/33-30	10 Color <sup>(2)</sup>	36 (914)
13	04047-30A <sup>(1)</sup>	White	6 (152)
14	04047-30A <sup>(1)</sup>	White	18 (457)
15	04047-30A <sup>(1)</sup>	White	36 (914)
16	04047-30A <sup>(1)</sup>	10 Color <sup>(2)</sup>	6 (152)
17	04047-30A <sup>(1)</sup>	10 Color <sup>(2)</sup>	18 (457)
18	04047-30A <sup>(1)</sup>	10 Color <sup>(2)</sup>	36 (914)

Notes:

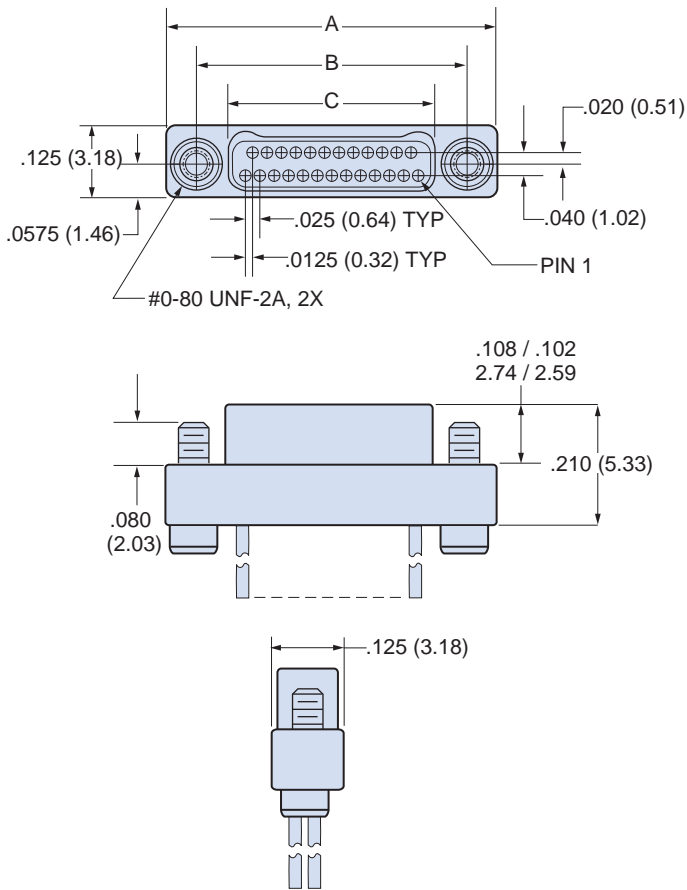
1. DSCC 04047 is a special composite wire subject to additional cost and longer delivery.
2. Color coding per MIL-STD-681, System 1, except using ten solid colors in repeating sequence.

## HOW TO ORDER DOUBLE ROW MIL-DTL-32139 NANOMINIATURE CONNECTORS

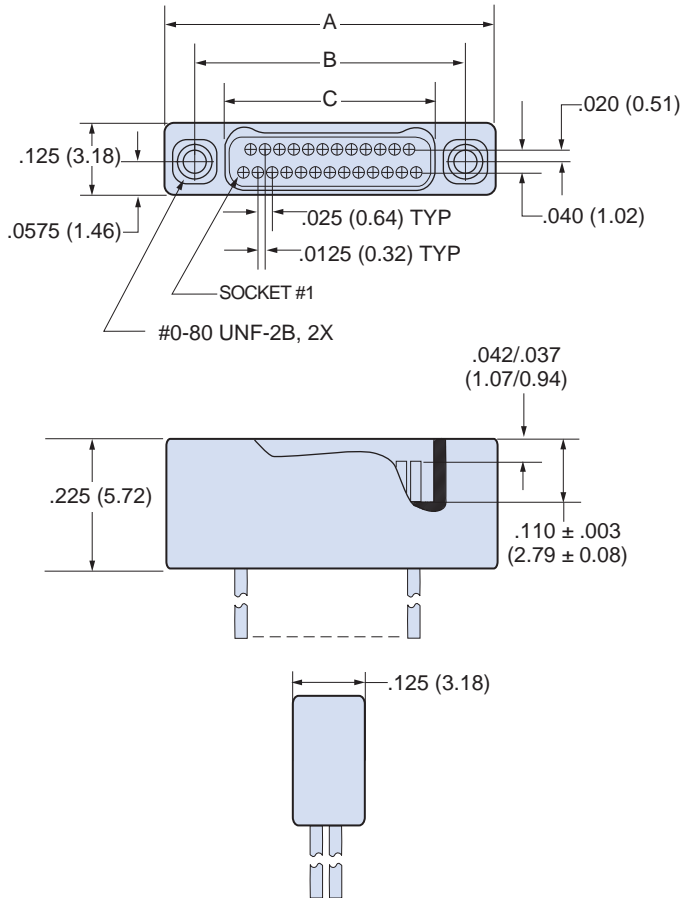
Series	Insert Arrangement	Wire Type	Hardware	Shell Material and Finish	Space Class
<b>M32139/03</b> Plug, Pin Contacts, Double Row, Nanominiature	<b>A</b> – 9 contacts <b>B</b> – 15 contacts <b>C</b> – 21 contacts <b>D</b> – 25 contacts <b>E</b> – 31 contacts	See Table I  All wire types specify 30 AWG stranded wire.	<b>S</b> Jackscrew M32139/03 Plug Only  <b>T</b> Threaded Hole M32139/04 Receptacle Only	<b>C</b> Aluminum, Cadmium Finish (Not for Space)  <b>N</b> Aluminum, Electroless Nickel Finish  <b>S</b> Stainless Steel, Passivated Finish  <b>T</b> Titanium (No Finish)	<b>(Blank)</b> for non-space applications
					<b>S</b> Space Grade
<b>M32139/04</b> Receptacle, Socket Contacts, Double Row, Nanominiature	<b>F</b> – 37 contacts <b>G</b> – 51 contacts				
Sample Part Number					
M32139/03	-A	01	S	N	S

DOUBLE ROW NANO PIGTAIL DIMENSIONS

Plug (Pin) Connectors



Receptacle (Socket) Connectors



Layout	A		B BSC.		C BSC.	
	In. ± .005	mm. ± 0.13	In.	mm.	In.	mm.
9P	.375	9.52	.270	6.86	.160	4.06
9S	.375	9.52	.270	6.86	.163	4.14
15P	.450	11.43	.345	8.76	.235	5.97
15S	.450	11.43	.345	8.76	.238	6.04
21P	.525	13.33	.420	10.67	.310	7.87
21S	.525	13.33	.420	10.67	.313	7.95
25P	.575	14.60	.470	11.94	.360	9.14
25S	.575	14.60	.470	11.94	.363	9.22
31P	.650	16.51	.545	13.84	.435	11.05
31S	.650	16.51	.545	13.84	.438	11.12
37P	.725	18.41	.620	15.75	.510	12.95
37S	.725	18.41	.620	15.75	.513	13.03
51P	.900	22.86	.795	20.19	.685	17.40
51S	.900	22.86	.795	20.19	.688	17.47