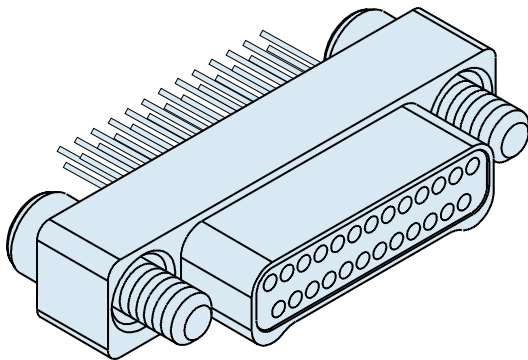


891-003 and -004 Series 89 Nanominiature Connectors Double Row Uninsulated Wire Pigtail Assemblies



Double Row Connectors



Glenair's Pigtail Nano Connectors feature gold alloy TwistPin contacts. Contacts are precision-crimped to solid wire. These nanominiature connectors offer premium performance and reliability for demanding applications. Contact spacing is .025 inches. 1 amp current rating, DWV rating 300 volts AC. Wire gages #30 and #32 AWG.

TwistPin Contact System assures premium performance in demanding environments. The gold/platinum alloy contacts will stand up to years of exposure without corrosion.

Typical Applications include UAV's, satellites, missile systems and geophysical instruments.

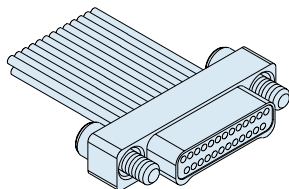
HOW TO ORDER NANOMINIATURE CONNECTORS WITH UNINSULATED WIRE

| Series | Insert Arrangement/ Contact Type | Shell Material and Finish | Wire Gage | Wire Type | Wire Length | Hardware |
|--|-------------------------------------|---|---------------------|--|---|---|
| 891-003 Plug, Pin Contacts, Double Row, Nanominiature, Uninsulated Wire | Plugs (891-003) | A1 Aluminum Shell, Cadmium Plating | 0 #30 AWG | D3 Single Strand Copper Wire, Uninsulated, with Gold Plating | .125 .250 .375 .500 Wire Length in Inches | J Jackscrew, #0-80 T #0-80 Female Thread Female Threads are available on plug connectors only if the shell material is titanium or stainless steel. |
| | 9P | | | | | |
| | 15P | | | | | |
| | 21P | | | | | |
| | 25P | | | | | |
| | 31P | | | | | |
| 891-004 Receptacle, Socket Contacts, Double Row, Nanominiature, Uninsulated Wire | Receptacles (891-004) | A2 Aluminum Shell, Electroless Nickel Plating | 2 #32 AWG | T Titanium Shell, Unplated | | |
| | 9S | | | | | |
| | 15S | | | | | |
| | 21S | | | | | |
| | 25S | | | | | |
| | 31S | | | | | |
| | 37S | | | | | |
| | 51S | | | | | |
| | | S Stainless Steel Shell, Passivated | | | | |

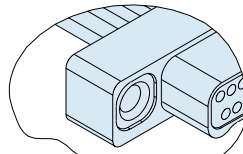
Sample Part Number

| | | | | | | |
|----------------|-------------|-----------|-----------|-----------|---------------|----------|
| 891-003 | — 9P | A1 | —0 | D3 | — .125 | J |
|----------------|-------------|-----------|-----------|-----------|---------------|----------|

PLUG (PIN) CONNECTOR

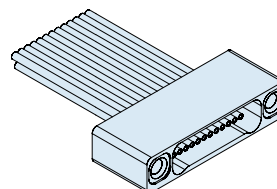


"J" Jackscrew Option

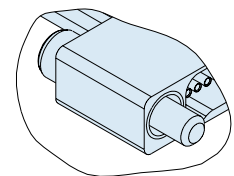


"T" Female Thread Option
Titanium or Stainless Steel
Shells Only

RECEPTACLE (SOCKET) CONNECTOR



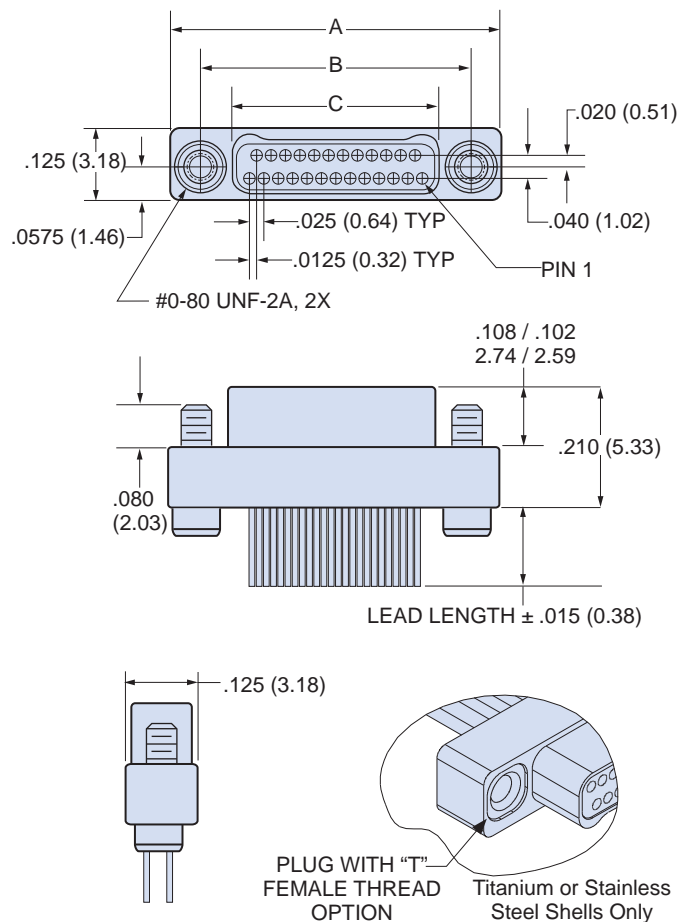
"T" Female Thread Option



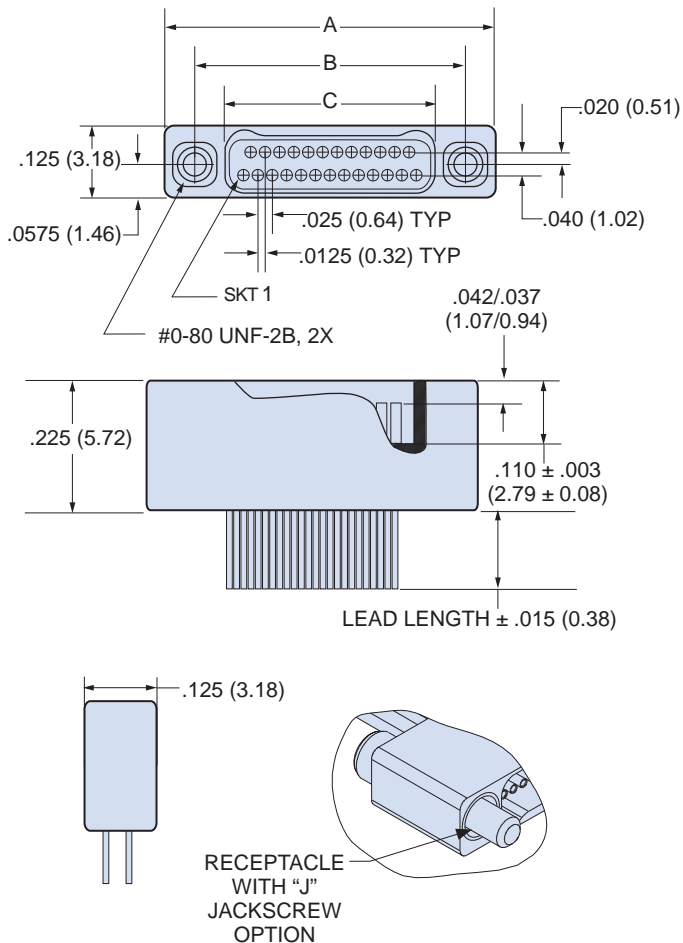
"J" Jackscrew Option

DOUBLE ROW NANO PIGTAIL DIMENSIONS

Plug (Pin) Connectors



Receptacle (Socket) Connectors



| Layout | A | | B BSC. | | C BSC. | |
|--------|------------|------------|--------|-------|--------|-------|
| | In. ± .005 | mm. ± 0.13 | In. | mm. | In. | mm. |
| 9P | .375 | 9.52 | .270 | 6.86 | .160 | 4.06 |
| 9S | .375 | 9.52 | .270 | 6.86 | .163 | 4.14 |
| 15P | .450 | 11.43 | .345 | 8.76 | .235 | 5.97 |
| 15S | .450 | 11.43 | .345 | 8.76 | .238 | 6.04 |
| 21P | .525 | 13.33 | .420 | 10.67 | .310 | 7.87 |
| 21S | .525 | 13.33 | .420 | 10.67 | .313 | 7.95 |
| 25P | .575 | 14.60 | .470 | 11.94 | .360 | 9.14 |
| 25S | .575 | 14.60 | .470 | 11.94 | .363 | 9.22 |
| 31P | .650 | 16.51 | .545 | 13.84 | .435 | 11.05 |
| 31S | .650 | 16.51 | .545 | 13.84 | .438 | 11.12 |
| 37P | .725 | 18.41 | .620 | 15.75 | .510 | 12.95 |
| 37S | .725 | 18.41 | .620 | 15.75 | .513 | 13.03 |
| 51P | .900 | 22.86 | .795 | 20.19 | .685 | 17.40 |
| 51S | .900 | 22.86 | .795 | 20.19 | .688 | 17.47 |