

Series 805 Mighty Mouse Triple-Start Connector Weight and Size Comparison, Key Positions

SIZE COMPARISON: SERIES 805 VERSUS D38999 SERIES III

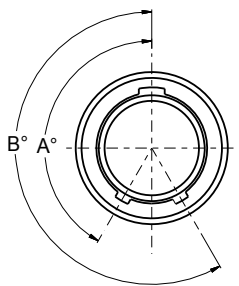
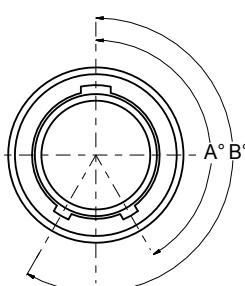
Layout	Number of Contacts	D38999 Layout	Number of Contacts	Maximum Plug Diameter					Maximum Jam Nut Receptacle Diameter				
				Series 805		D38999		% Reduction	Series 805		D38999		% Reduction
				In.	mm.	In.	mm.		In.	mm.	In.	mm.	
8-7	7 #23	9-35	6 #20	.707	17.96	.859	21.81	17%	.775	19.69	1.201	30.51	35%
10-13	13 #23	11-35	13 #22D	.804	20.42	.969	24.61	18%	.895	22.73	1.386	30.50	35%
11-19	19 #23	13-35	19 #22D	.933	23.70	1.141	28.98	20%	.960	24.38	1.512	38.40	36%
12-26	26 #23	17-26	26 #20	.999	25.37	1.391	35.33	29%	1.075	27.31	1.764	44.81	39%
15-37	37 #23	15-35	37 #22D	1.113	28.27	1.266	32.16	13%	1.218	30.86	1.638	41.61	26%
18-55	55 #23	17-35	55 #22D	1.308	33.22	1.391	35.33	7%	1.404	35.66	1.764	44.81	20%
19-85	85 #23	21-35	85 #22D	1.328	33.73	1.625	41.27	19%	1.465	37.21	2.075	52.71	29%
23-130	130 #23	25-35	128 #22D	1.577	40.06	1.875	47.63	16%	1.720	43.69	2.323	59.00	26%

SIZE COMPARISON: SERIES 805 VERSUS D38999 SERIES III

Layout	Number of Contacts	D38999 Layout	Number of Contacts	Weight in Grams				
				Series 805	D38999 Aluminum	% Reduction	D38999 Composite	% Reduction
8-7	7 #23	9-35	6 #20	13.4	26.3	49%	19.9	33%
10-13	13 #23	11-35	13 #22D	23.0	35.7	36%	26.8	14%
11-19	19 #23	13-35	19 #22D	26.4	50.7	48%	38.5	31%
12-26	26 #23	17-26	26 #20	29.4	58.5	50%	62.6	53%
15-37	37 #23	15-35	37 #22D	42.7	72.1	41%	57.4	26%
18-55	55 #23	17-35	55 #22D	59.6	81.6	27%	65.6	9%
19-85	85 #23	21-35	85 #22D	59.8	119.7	50%	99.1	40%
23-130	130 #23	25-35	128 #22D	85.5	159.3	46%	136.6	37%

H Weights are for mated pairs of plugs with pins and jam nut receptacles with sockets.

SERIES 805 KEY POSITIONS

	Key Position	Key Rotation	
		A	B
 <p style="text-align: center;">PLUG</p>	Normal (A)	150°	210°
	B	75°	210°
	C	95°	230°
	D	140°	275°
 <p style="text-align: center;">RECEPTACLE</p>	Normal (A)	150°	210°
	B	75°	210°
	C	95°	230°
	D	140°	275°

Dimensions in inches (millimeters) and are subject to change without notice.

Series 805 Mighty Mouse Triple-Start Connector Weights



SERIES 805 CONNECTOR WEIGHT IN GRAMS

Contact Arr.	Cable Plug	J/N Recep Crimp	J/N Recep PCB	Sq. Flange Recep Crimp	Sq. Flange Recep PCB
8-1P	7.5	5.8	5.7	5.8	4.6
8-1S	7.9	6.3	6.2	6.3	5.1
8-4P	8.3	6.6	6.5	6.6	5.4
8-4S	8.8	7.2	7.0	7.2	5.9
8-7P	7.3	5.6	5.5	5.6	4.4
8-7S	7.7	6.1	5.9	6.1	4.8
9-1P	10.9	9.0	9.0	6.8	7.7
9-1S	11.4	9.6	9.6	7.4	8.3
9-10P	10.7	8.8	8.8	6.6	7.5
9-10S	11.6	9.7	9.7	7.5	8.4
10-2P	13.3	10.2	10.3	8.9	9.4
10-2S	14.1	11.0	11.1	9.7	10.1
10-13P	12.7	9.6	9.7	8.3	8.7
10-13S	13.4	10.3	10.5	9.0	9.5
10-200P	13.9	10.8	10.9	9.5	9.9
10-200S	14.7	11.7	11.8	10.3	10.8
11-4P	15.4	12.1	13.1	10.3	11.3
11-4S	16.4	13.1	14.1	11.3	12.3
11-19P	14.3	11.0	12.0	9.2	10.2
11-19S	15.4	12.1	13.1	10.3	11.3
11-200P	14.9	11.6	12.5	9.8	10.8
11-200S	16.0	12.7	13.6	10.9	11.9
11-201P	15.4	12.1	13.1	10.3	11.3
11-201S	16.6	13.3	14.3	11.6	12.5
12-5P	17.6	13.9	16.3	12.2	13.1
12-5S	19.0	15.3	17.7	13.6	14.5
12-26P	15.8	12.1	14.5	10.5	11.3
12-26S	17.4	13.6	16.1	12.0	12.9
12-200P	16.5	12.8	15.2	11.1	12.0
12-200S	17.9	14.2	16.6	12.5	13.4
12-201P	16.6	12.9	15.3	11.2	12.1
12-201S	18.0	14.3	16.7	12.7	13.5

Contact Arr.	Cable Plug	J/N Recep Crimp	J/N Recep PCB	Sq. Flange Recep Crimp	Sq. Flange Recep PCB
12-202P	16.6	12.9	15.3	11.2	12.1
12-202S	18.2	14.4	16.8	12.8	13.6
15-2P	20.7	20.2	21.8	17.1	19.5
15-2S	22.3	21.9	23.4	18.7	21.1
15-3P	21.7	21.2	22.8	18.0	20.5
15-3S	23.4	23.0	24.5	19.8	22.2
15-7P	21.9	21.5	23.0	18.3	20.7
15-7S	24.5	24.1	25.6	20.9	23.3
15-37P	20.1	19.7	21.2	16.5	18.9
15-37S	23.0	22.6	24.1	19.4	21.8
15-200P	20.4	19.9	21.5	16.7	19.1
15-200S	22.6	22.1	23.7	18.9	21.3
15-201P	20.7	20.2	21.8	17.1	19.5
15-201S	23.0	22.6	24.1	19.4	21.8
18-5P	29.9	31.6	30.1	26.1	29.0
18-5S	32.9	34.5	33.1	29.0	32.0
18-12P	30.7	32.3	30.9	26.8	29.8
18-12S	34.3	36.0	34.5	30.5	33.4
18-55P	27.3	28.9	27.5	23.4	26.4
18-55S	30.7	32.3	30.9	26.8	29.8
19-7P	27.9	30.0	33.1	25.1	33.0
19-7S	31.0	33.1	36.2	28.2	36.1
19-14P	32.9	35.0	38.1	30.0	38.0
19-14S	32.6	34.7	37.7	29.7	37.6
19-85P	26.6	28.7	31.8	23.8	31.7
19-85S	31.1	33.2	36.3	28.3	36.2
23-12P	40.2	42.9	44.4	36.7	43.9
23-12S	45.2	48.0	49.5	41.8	49.0
23-22P	42.7	45.4	47.0	39.3	46.4
23-22S	49.6	52.4	53.9	46.2	53.4
23-130P	37.8	40.6	42.1	34.4	41.6
23-130S	44.9	47.7	49.3	41.6	48.7

Maximum connector weight in grams.

Dimensions in inches (millimeters) and are subject to change without notice.