

Series 805 Mighty Mouse Triple-Start  
Sav-Con® Connector Saver Ordering Information  
805-010



805-010 Sav-Con®

**Glenair Sav-Con® Connector Savers** are designed to protect connectors that are subject to repeated mating and unmating cycles. Sav-Con® Connector Savers prevent costly repair or replacement of expensive connectors while preserving the quality and integrity of the connector by absorbing connect and disconnect abuse.

**Protect Equipment**

Equipment connectors that are mated frequently during manufacturing, test, check-out phases and environmental test programs can be protected by Glenair Sav-Con® Connector Savers.

**Prolong the Service Life of Test Cables**

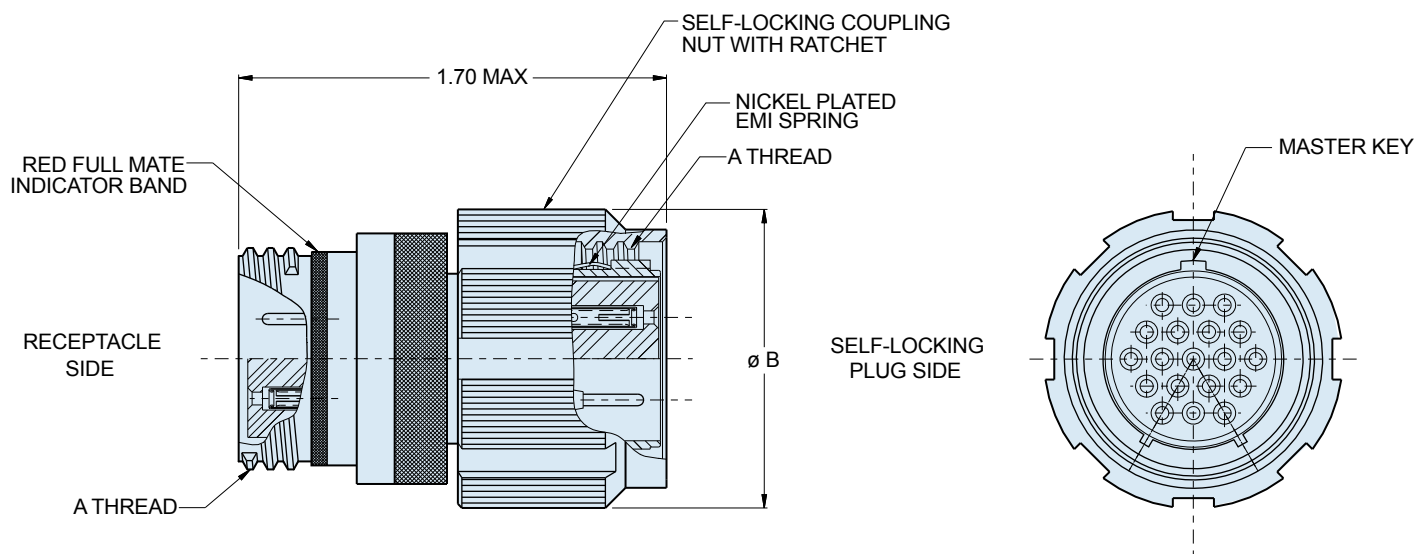
Glenair Sav-Con® Connector Savers mated to test-cable connectors take the punishment of repetitive matings and unmatings.

HOW TO ORDER SERIES 805 SAV-CON® CONNECTORS

Sample Part Number

805-010	Z1	12-26	P	A
Series	Shell Material / Finish	Shell Size- Insert Arrangement	Contact Type	Shell Key Position
<b>805-010</b> Series 805 Connector Saver	<p><b>C</b> Aluminum / Black Anodize (Non-Conductive) RoHS Compliant</p> <p><b>M</b> Aluminum / Electroless Nickel RoHS Compliant</p> <p><b>NF</b> Aluminum / Cadmium with Olive Drab Chromate</p> <p><b>ZN</b> Aluminum / Zinc-Nickel with Olive Drab Chromate</p> <p><b>ZNU</b> Aluminum / Zinc-Nickel with Black Chromate</p> <p><b>MT</b> Aluminum / Nickel-PTFE RoHS Compliant</p> <p><b>Z1</b> Stainless Steel / Passivated RoHS Compliant</p>	<p>SEE <b>CONTACT ARRANGEMENTS</b> PAGE H-2</p>	<p><b>P</b> Pin Contact on Plug Side, Socket Contact on Receptacle Side</p> <p><b>S</b> Socket Contact on Plug Side, Pin Contact on Receptacle Side</p>	<p><b>A</b> Position A (Normal)</p> <p><b>B</b> Position B</p> <p><b>C</b> Position C</p> <p><b>D</b> Position D</p>

Dimensions in inches (millimeters) and are subject to change without notice.



## DIMENSIONS

Shell Size	A Threads	Ø B	
		In.	mm.
8	.5000-.1P-.3L-TS	.691	17.55
9	.5625-.1P-.3L-TS	.787	19.99
10	.6250-.1P-.3L-TS	.826	20.98
11	.6875-.1P-.3L-TS	.916	23.27
12	.7500-.1P-.3L-TS	.982	24.94
15	.9375-.1P-.3L-TS	1.097	27.86
18	1.1250-.1P-.3L-TS	1.290	32.77
19	1.1875-.1P-.3L-TS	1.310	33.27
23	1.4375-.1P-.3L-TS	1.562	39.67

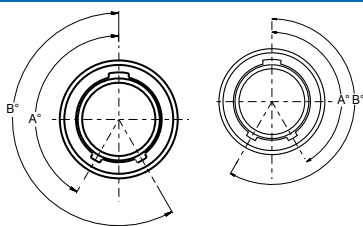
## SPECIFICATIONS

Current Rating	#23 5 AMPS, #16 13 A., #12 23 A.
Dielectric Withstanding Voltage	#23 500 VAC RMS, #12 and #16 1800 VAC
Insulation Resistance	5000 megohms minimum
Operating Temperature	-55° C. to +150° C.
Shock	300 g.
Vibration	37 g.
Shielding Effectiveness	65 dB minimum from 1GHz to 10GHz.
Magnetic Permeability	2.0 µ maximum
Durability	2000 mating cycles

## MATERIALS AND FINISHES

Shells, Jam Nuts	Aluminum alloy or stainless steel
Contacts	Copper alloy, 50 µInch gold plated
Insulators	Liquid crystal polymer (LCP)
Seal	Fluorosilicone rubber
Ground Spring	Nickel-plated beryllium copper
See Series 80 General Information for complete material and finish specs.	

## SERIES 805 KEY POSITIONS



PLUG

RECEPTACLE

Key Position	Key Rotation	
	A	B
Normal (A)	150°	210°
B	75°	210°
C	95°	230°
D	140°	275°

Dimensions in inches (millimeters) and are subject to change without notice.