

Series 804 Push-Pull Mighty Mouse Spring-Loaded Cover

667-282



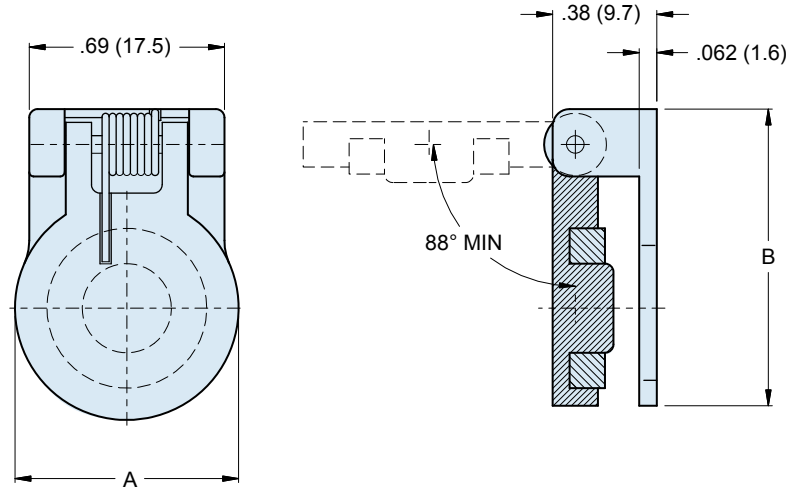
Series 804

Spring-Loaded Cover for Series 804 Jam Nut Receptacles

"Flop lid" snaps shut when cable is disconnected. Silicone gasket provides watertight seal when closed. Fits standard Series 804 jam nut receptacles. For .057/.067 inch (1.45/1.70mm) panel thickness. Aluminum alloy or stainless steel.



Shell Size	Part Number				
	Aluminum				Stainless Steel
	Electroless Nickel	Cadmium/Olive Drab	Nickel-PTFE	Black Zinc-Nickel	Passivated
5	667-282M05	667-282NF05	667-282MT05	667-282ZNU05	667-282Z105
6	667-282M06	667-282NF06	667-282MT06	667-282ZNU06	667-282Z106
7	667-282M07	667-282NF07	667-282MT07	667-282ZNU07	667-282Z107
8	667-282M08	667-282NF08	667-282MT08	667-282ZNU08	667-282Z108
9	667-282M08	667-282NF09	667-282MT09	667-282ZNU09	667-282Z109
10	667-282M10	667-282NF10	667-282MT10	667-282ZNU10	667-282Z110
12	667-282M12	667-282NF12	667-282MT12	667-282ZNU12	667-282Z112
14	667-282M14	667-282NF14	667-282MT14	667-282ZNU14	667-282Z114



Shell Size	Dimensions			
	A		B	
	In.	mm.	In.	mm.
5	.63	16.0	.93	23.6
6	.69	17.5	.99	25.1
7	.82	20.8	1.11	28.2
8	.82	20.8	1.11	28.2
9	.88	22.4	1.18	30.0
10	.94	23.9	1.24	31.5
12	1.07	27.2	1.36	34.5
14	1.19	30.2	1.49	37.8

Materials	
Cover, Housing	Aluminum Alloy or Stainless Steel
Gasket	Sponge Silicone Rubber
Sleeve	Delrin
Spring, Shaft	Stainless Steel

Dimensions in inches (millimeters) and are subject to change without notice.