

Series 804 Push-Pull Mighty Mouse Hermetic Receptacle Ordering Information

804-006



**Series 804 Hermetic
Jam Nut Mount**

Series 804 Hermetic Receptacles feature 304L stainless steel shells, fused vitreous glass insulators and gold-plated Alloy 52 iron alloy contacts.

1×10^{-7} cc/second maximum helium leak rate when tested at 1 atmosphere vacuum.

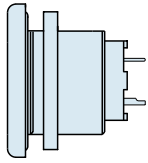
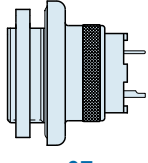
Two Shell Styles are available:
Style 00 for front panel mounting
Style 07 for rear panel mounting.

"Push-Pull" Quick-Disconnect

Canted coil spring securely retains mating plug connector and provides low shell-to-shell resistance for excellent EMI shielding. O-ring inside receptacle shell provides water-tight seal when mated.

HOW TO ORDER

Sample Part Number

804-006	-07	Z1	9-19	P	A
Series	Shell Style	Shell Material / Finish	Shell Size/Insert	Contact Type	Shell Key Position
804-006 Hermetic Receptacle with Printed Circuit Board Contacts or Solder Cup Contacts	 -00 Jam Nut, Front Panel	Z1 Stainless Steel / Passivated ZL Stainless Steel/ Nickel Plated	SEE CONTACT ARRANGEMENTS PAGE G-2	P Pin, Solder Cup C Pin, PC Tail S Socket, Solder Cup D Socket, PC Tail	Omit for Single Master Key A Pos. A (Normal) B Pos. B C Pos. C D Pos. D
	 -07 Jam Nut, Rear Panel				

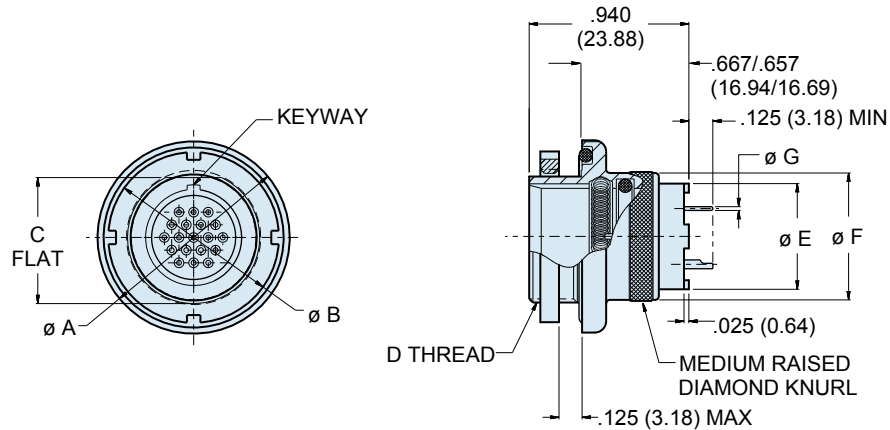
Dimensions in inches (millimeters) and are subject to change without notice.

Series 804 Push-Pull Mighty Mouse Rear Panel Jam Nut Hermetic Receptacle Dimensions

804-006-07



Series 804



Rear Panel Jam Nut
804-006-07

DIMENSIONS												
Shell Size	Ø A		Ø B		C Flat		D Threads	Ø E		Ø F		Ø G Tail Dia.
	In.	mm.	In.	mm.	In.	mm.		In.	mm.	In.	mm.	
5	.790	20.07	.562	14.27	.415	10.54	.4375-32 UN-2A	.244	6.20	.450	11.43	#23 .018/.022 (0.46/0.56)
6	.830	21.08	.625	15.87	.467	14.40	.5000-32 UN-2A	.330	8.38	.520	13.21	
7	.910	23.11	.750	19.05	.594	15.09	.6250-28 UN-2A	.432	10.97	.580	14.73	#20 .024/.028 (0.61/0.71)
8	.955	24.26	.750	19.05	.594	15.09	.6250-28 UN-2A	.493	12.52	.603	15.32	
9	1.000	25.40	.812	20.62	.655	16.64	.6875-28 UN-2A	.551	14.00	.695	17.65	#16 .060/.064 (1.52/1.63)
10	1.085	27.48	.875	22.22	.721	18.31	.7500-28 UN-2A	.620	15.75	.735	18.67	
12	1.180	29.97	1.000	25.40	.843	21.41	.8750-28 UN-2A	.703	17.86	.880	22.35	#12 .092/.096 (2.34/2.44)
14	1.325	33.66	1.125	28.57	.968	24.59	1.0000-28 UN-2A	.863	21.92	1.010	25.65	

ALTERNATE KEY POSITIONS

Pos.	A°	B°
A	150°	210°
B	75°	210°
C	95°	230°
D	140°	275°

JAM NUT PANEL CUTOUT

Shell Size	A Flat		Ø B	
	In. ± .002	mm. ± 0.05	In. ± .005	mm. ± 0.13
5	.423	10.74	.448	11.38
6	.475	12.07	.510	12.95
7	.588	14.94	.635	16.13
8	.602	15.29	.635	16.13
9	.663	16.84	.698	17.73
10	.729	18.82	.760	19.30
12	.851	21.62	.885	22.48
14	.976	24.79	1.010	25.65

Dimensions in inches (millimeters) and are subject to change without notice.

© 2010 Glenair, Inc.

CAGE Code 06324

Printed in U.S.A.

GLENAIR, INC. • 1211 AIR WAY • GLENDALE, CA 91201-2497 • 818-247-6000 • FAX 818-500-9912

www.glenair.com

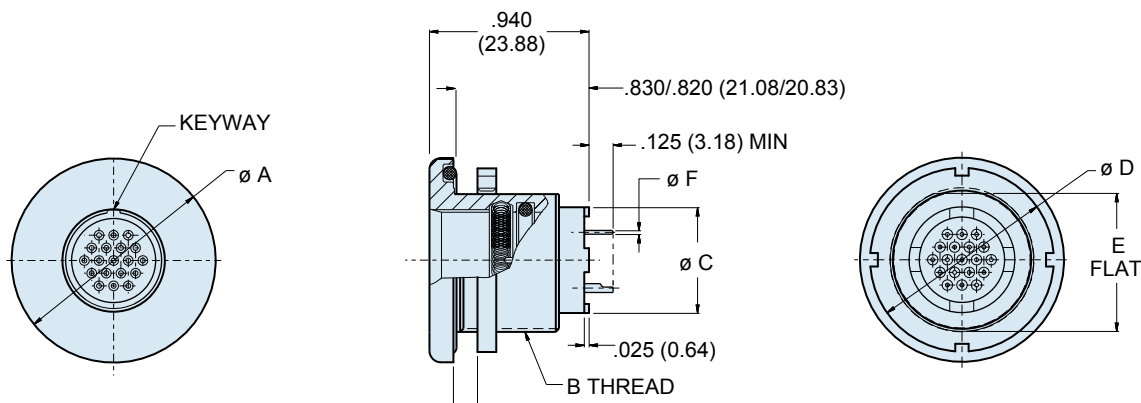
G-19

E-Mail: sales@glenair.com

Rev. 01-JANUARY-2010



**Series 804 Push-Pull Mighty Mouse
Front Panel Jam Nut Hermetic Receptacle Dimensions
804-006-00**



Front Panel Jam Nut
804-006-00

DIMENSIONS										
Shell Size	Ø A		B Threads	Ø C		Ø D		E Flat		Ø F Tail Dia.
	In.	mm.		In.	mm.	In.	mm.	In.	mm.	
5	.830	21.08	.5000-32 UN-2A	.244	6.20	.625	15.87	.470	11.94	#23 .018/.022 (0.46/0.56)
6	.885	22.48	.6250-28 UN-2A	.330	8.38	.688	17.47	.530	13.46	
7	.995	25.27	.6875-28 UN-2A	.432	10.97	.812	20.62	.663	16.84	#20 .024/.028 (0.61/0.71)
8	.995	25.27	.6875-28 UN-2A	.493	12.52	.812	20.62	.663	16.84	
9	1.075	27.31	.7500-28 UN-2A	.551	14.00	.875	22.22	.720	18.29	#16 .060/.064 (1.52/1.63)
10	1.140	28.95	.8125-28 UN-2A	.620	15.75	.938	23.82	.788	20.02	
12	1.340	34.04	1.0000-28 UN-2A	.703	17.86	1.125	28.57	.970	24.64	#12 .092/.096 (2.34/2.44)
14	1.390	35.31	1.0625-20 UN-2A	.863	21.92	1.188	30.18	1.020	25.91	

G

ALTERNATE KEY POSITIONS			
Pos.	A°	B°	
A	150°	210°	
B	75°	210°	
C	95°	230°	
D	140°	275°	

JAM NUT PANEL CUTOUT				
Shell Size	A Flat		Ø B	
	In. ± .002	mm. ± 0.05	In. ± .005	mm. ± 0.13
5	.423	10.74	.448	11.38
6	.475	12.07	.510	12.95
7	.588	14.94	.635	16.13
8	.602	15.29	.635	16.13
9	.663	16.84	.698	17.73
10	.729	18.82	.760	19.30
12	.851	21.62	.885	22.48
14	.976	24.79	1.010	25.65

Dimensions in inches (millimeters) and are subject to change without notice.