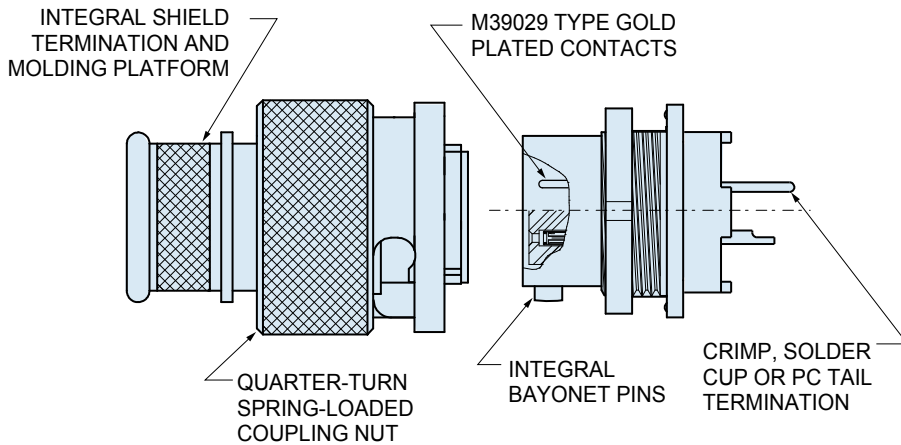


Series 803 Mighty Mouse ¼ Turn Bayonet Coupling Connectors General Information



Bayonet Coupling Mechanism
Push-To-Mate, ¼ turn for locking.

1 through 55 contacts
available in crimp, solder cup or printed circuit board versions. Aluminum or stainless steel shell.

Now with Power Contacts.
Choose any one of 35 contact arrangements with size #23, size #20HD, size #16 or size #12 contacts.

Glenair's Bayonet Mighty Mouse Offers ¼ Turn Locking, Rugged Design and Ultraminiature Size

Ideal for tactical handheld radios, sensors, test equipment and autosport equipment, the Series 803 connector adds quick bayonet coupling to the Glenair Series 80 product line. Key features are small size, light weight, environmental protection, and crimp-and-poke contacts. These features make the Series 803 Bayonet connector suitable for a wide range of quick-disconnect applications. Fluorosilicone seals resist most chemicals and provide splash protection. **Not rated for water immersion.**



SPECIFICATIONS	
Current Rating	#23 5 AMPS, #20 7.5 A., #16 13 A., #12 23 A.
Dielectric Withstanding Voltage	#23 500 VAC RMS, #20HD 750 VAC RMS, #12 and #16 1800 VAC RMS
Insulation Resistance	5000 megohms minimum
Operating Temperature	-65° C. to +150° C.
Shock	300 g.
Vibration	37 g.
Shielding Effectiveness	40 dB minimum from 100MHz to 1000MHz.
Durability	250 mating cycles (aluminum), 2000 mating cycles (stainless steel)
See Series 80 General Information for complete performance specs.	
MATERIALS AND FINISHES	
Shells, Jam Nuts	Aluminum alloy or stainless steel
Contacts	Copper alloy, 50 µinch gold plated
Insulators	Liquid crystal polymer (LCP)
Contact Retention Clip	Beryllium copper alloy
Interfacial Seal, O-rings, Wire Sealing Grommet	Fluorosilicone rubber
See Series 80 General Information for complete material and finish specs.	

Dimensions in inches (millimeters) and are subject to change without notice.