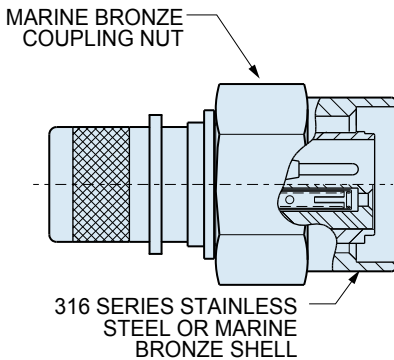
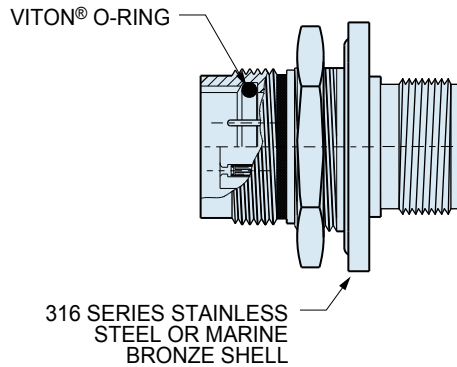


**Series 802 Aqua Mouse  
3500 PSI Submersible Connectors  
General Information**



**Series 802 Plug**



**Series 802 Receptacle**

**Stainless Steel or Marine Bronze**

Available in ten sizes from 1 to 130 contacts, Series 802 connectors feature 316 stainless steel or marine bronze shells. Viton® o-rings resist high temperature and corrosive chemicals.

**3500 psi**

These connectors withstand up to 3500 PSI hydrostatic pressure in a mated condition. Hermetic versions withstand 1000 PSI open face pressure.

**Glenair's Series 802 Aqua Mouse Delivers High-Pressure Sealing and Rugged Design in a Miniature Package**

Originally developed for petroleum pipeline inspection equipment, Series 802 connectors withstand exposure to corrosive environments and high pressure. These connectors feature high density crimp Mighty Mouse inserts, 316 stainless steel or marine bronze shells and a "piston" o-ring for hydrostatic sealing. Gold-plated contacts accept #12-30 AWG wire. Printed circuit board receptacles are available, along with hermetic receptacles.



**SPECIFICATIONS**

Current Rating	#23 5 AMPS, #16 13 A., #12 23 A.
Dielectric Withstanding Voltage	#23 500 VAC RMS, #16 and #12 1800 VAC RMS
Insulation Resistance	5000 megohms minimum
Operating Temperature	-55° C. to +150° C.
Hydrostatic Pressure	3500 PSI mated, 1000 PSI open face (hermetic)
Shock	300 g.
Vibration	37 g.
Durability	2000 mating cycles

**MATERIALS AND FINISHES**

Shells, Jam Nuts	316 stainless steel or marine bronze
Coupling Nuts	Marine bronze, unplated
Contacts	Copper alloy, 50 μinch gold plated. Socket hood: stainless steel, passivated. Hermetic pin contacts: Nickel-Iron alloy per ASTM-F-30, 50 μinch gold plated.
Insulators	Liquid crystal polymer (LCP) , 30% glass-filled
Contact Retention Clip	Beryllium copper alloy
Interfacial Seal, O-rings	Viton Rubber
Interfacial seal, rear grommet	Fluorosilicone rubber, blue
O-rings	Viton®

Dimensions in inches (millimeters) and are subject to change without notice.