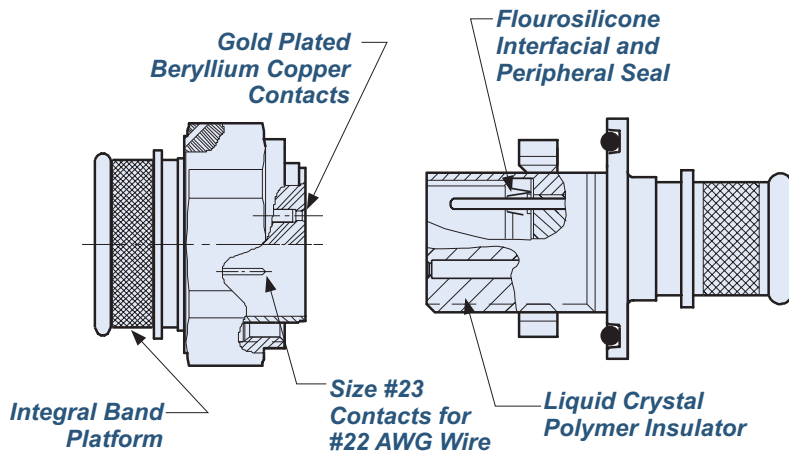


Series 800 "Mighty Mouse" Original UNF Threaded Coupling

Glenair

Series 800



Smallest "Mighty Mouse" – Available in 12 layouts from 3 to 37 contacts, Series 800 connectors feature a unified (UN) mating thread.

Environmentally Sealed – Meets MIL-STD-810 Method 512 immersion. Aluminum or stainless steel shells provide corrosion resistance.

Snap-in Contacts and Integral Shield Attachment Save Labor and Cost – The connector shell has a platform to accept **Band-IT**® shield termination bands. The cable shield braid is attached directly to the connector.

Glenair's Original "Mighty Mouse" Offers Environmental Sealing and Rugged Design in a Lightweight, Ultraminiature Package

Series 800 connectors are intended for light and medium duty applications where size, weight and cost outweigh the need for heavier-duty Series 80 connectors. Terminate shielded cable directly to the integral band platform for excellent EMI protection. Originally used for aerospace sensors, these Series 800 connectors have proven to be a good solution for small form factor tactical equipment including keyboards, radios, ruggedized RPDA's and other dismantled soldier equipment. These connectors meet the requirements of MIL-STD-810 for immersion, vibration, sand and dust, shock, and corrosion resistance.



SPECIFICATIONS

Current Rating	#23 5 AMPS, #16 13 A., #12 23 A.
Dielectric Withstanding Voltage	500 VAC RMS
Insulation Resistance	5000 megohms minimum
Operating Temperature	-55° C. to +150° C.
Shock	300 g.
Vibration	37 g.
Shielding Effectiveness	55 dB minimum from 100MHz to 1000MHz.
Durability	2000 mating cycles

MATERIALS AND FINISHES

Shells, Jam Nuts	Aluminum alloy or stainless steel
Contacts	Beryllium copper alloy, 50 µInch gold plated
Insulators	Liquid crystal polymer (LCP)
Contact Retention Clip	Beryllium copper alloy
Interfacial Seal, O-rings, Wire Sealing Grommet	Flourosilicone rubber