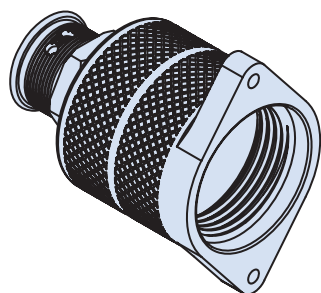


Series 80 Mighty Mouse Molding and Banding Backshell Adapter With Lanyard Ordering Information

809-242



Banding Adapter with integrated lanyard

BAND-IT® Strap
Microband 600-057-1



**Micro Band
Tool**
600-061



Materials

Shell	Aluminum Alloy or Stainless Steel
Band	300 Series SST
Lanyard	Stainless Steel

HOW TO ORDER

Sample Part Number

809-242

NF

- 6

- 06

- 08

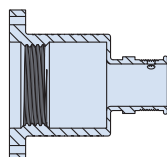
K

Part Number

Shell
Material/FinishLanyard
LengthShell Size
Code

Cable Entry

Band Option



809-242
Straight Entry

C
Aluminum / Black Anodize
(Non-Conductive)
RoHS Compliant

M
Aluminum /
Electroless Nickel
RoHS Compliant

NF
Aluminum / Cadmium with
Olive Drab Chromate

ZN
Aluminum / Zinc-Nickel
with Olive Drab Chromate

ZNU
Aluminum / Zinc-Nickel
with Black Chromate

MT
Aluminum / Nickel-PTFE
RoHS Compliant

Z1
Stainless Steel /
Passivated
RoHS Compliant

Length in
Inches, based
on a 3/8 inch
diameter
mandrel

Size Code	Thread Size
06	.3125-32
08	.5000-28
09	.5625-24
10	.6250-24

Cable Entry Code	Cable Entry Dia. (In.)
06	.237
07	.325
08	.389
09	.445
10	.514

Omit for no band
supplied

K
Adapter is supplied
with **BAND-IT®**
shield termination
band, pre-coiled

Dimensions in inches (millimeters) and are subject to change without notice.

© 2011 Glenair, Inc.

CAGE Code 06324

Printed in U.S.A.

GLEN AIR, INC. • 1211 AIR WAY • GLENDALE, CA 91201-2497 • 818-247-6000 • FAX 818-500-9912

www.glenair.com

L-26

E-Mail: sales@glenair.com

17-JULY-2011

**Series 80 Mighty Mouse
Molding and Banding Backshell Adapter
With Lanyard Dimensions
809-242**

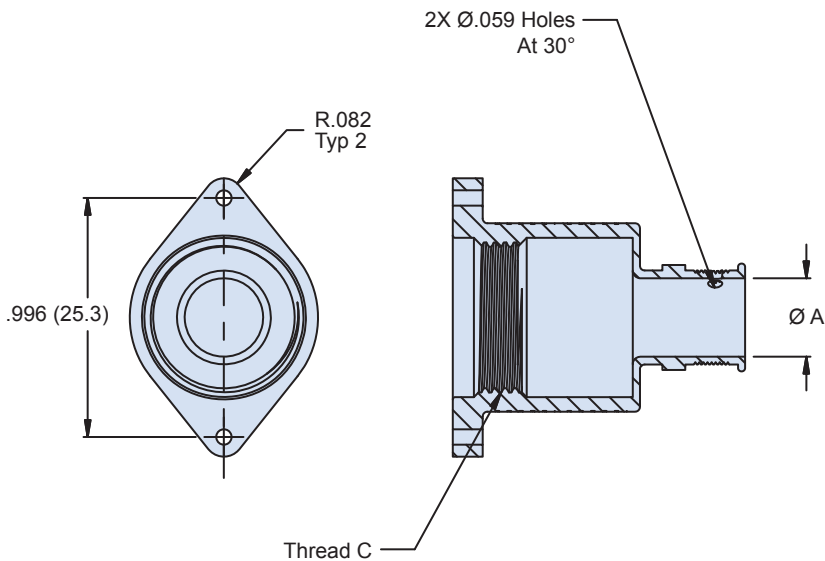
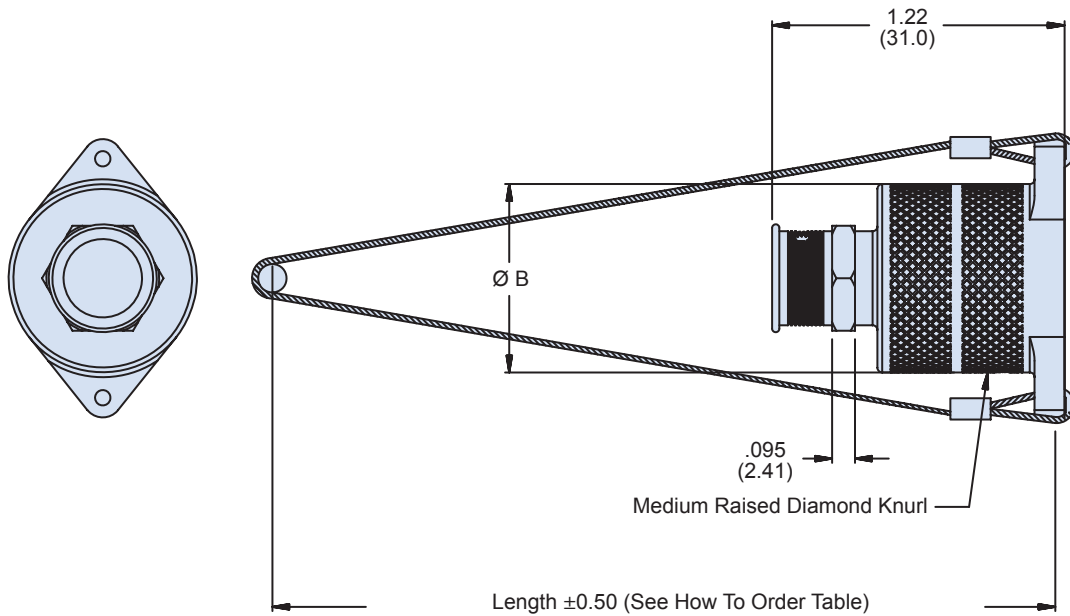


Table I: Shell Size

Shell Size	Ø B	Thread C
06	.480 (12.2)	.3125-32 UNEF-2B
08	.600 (15.2)	.5000-28 UNEF-2B
09	.700 (17.8)	.5625-24 UNEF-2B
10	.790 (20.1)	.6250-24 UNEF-2B

Table II: Cable Entry

Cable Entry Code	Ø A
06	.237 (6.02)
07	.325 (8.30)
08	.389 (9.90)
09	.445 (11.3)
10	.514 (13.1)

Dimensions in inches (millimeters) and are subject to change without notice.