

SERIES 800 UN THREAD MATING Mighty Mouse Connectors and Cables



Receptacles with Rear Release Crimp Contacts, Banding Porch, or Accessory Threads



Series 800 Receptacle Connectors are available in three styles, and feature machined aluminum or stainless steel shells. Supplied with crimp removable contacts. Terminate contacts with standard M22520 tools. Fluorosilicone interfacial seal and rear grommet protect connector from water ingress. Terminate cable shield directly to 800-010 connector body with Band-Master® ATS band, or choose 800-011 with accessory thread to attach optional cable clamp or backshell.

How To Order										
Sample Part Number	800-011 -01 M 6-7 P N									
Series (See Table I)	800-010 = With Banding Platform 800-011 = With Accessory Thread									
Shell Style (See Table II)	-01 = In-Line Cable Receptacle -02 = Square Flange, Front or Rear Panel Mount -07 = Jam-Nut, Rear Panel Mount									
Shell Material and Finish	C = Aluminum / Black Anodize (Non-Conductive) M = Aluminum / Electroless Nickel NF = Aluminum / Cadmium with Olive Drab Chromate ZNU = Aluminum / Zinc-Nickel with Black Chromate MT = Aluminum / Nickel-PTFE Z1 = Stainless Steel / Passivated									
Shell Size - Insert Arrangement	See Contact Arrangements page D-4									
Contact Type	<table border="0"> <tr> <td>Connector supplied with contacts</td> <td>Connector supplied without contacts</td> <td>Connector supplied with 30 AWG contacts</td> </tr> <tr> <td>P = Pin</td> <td>A = Pin Connector</td> <td>G = Pin</td> </tr> <tr> <td>S = Socket</td> <td>B = Socket Connector</td> <td>H = Socket</td> </tr> </table> <p>Connectors with contacts are supplied with crimp contacts. Contacts not installed. For Coaxial contacts order contacts separately and request pin or socket connector without contacts.</p>	Connector supplied with contacts	Connector supplied without contacts	Connector supplied with 30 AWG contacts	P = Pin	A = Pin Connector	G = Pin	S = Socket	B = Socket Connector	H = Socket
Connector supplied with contacts	Connector supplied without contacts	Connector supplied with 30 AWG contacts								
P = Pin	A = Pin Connector	G = Pin								
S = Socket	B = Socket Connector	H = Socket								
Polarization (See Table III)	N = Normal X = Pos. X Y = Pos. Y Z = Pos. Z									

Table I: Series

800-010 Receptacle with Band Platform	800-011 Receptacle with Accessory Thread

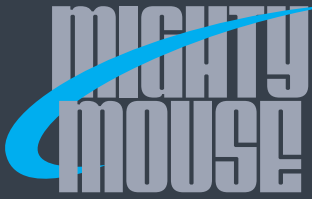
Table II: Shell Style

-01 In-Line	-02 Square Flange, Rear Mount	-07 Jam-Nut, Rear Panel Mount

Table III: Keyway Positions (See Note 6 and 7)

Shell Size 5 and 6	Shell Size 7 thru 12
Key Position	Key Rotation
N Normal	150°
X	140°
Y	130°
Z	120°

SERIES 800 UN THREAD MATING

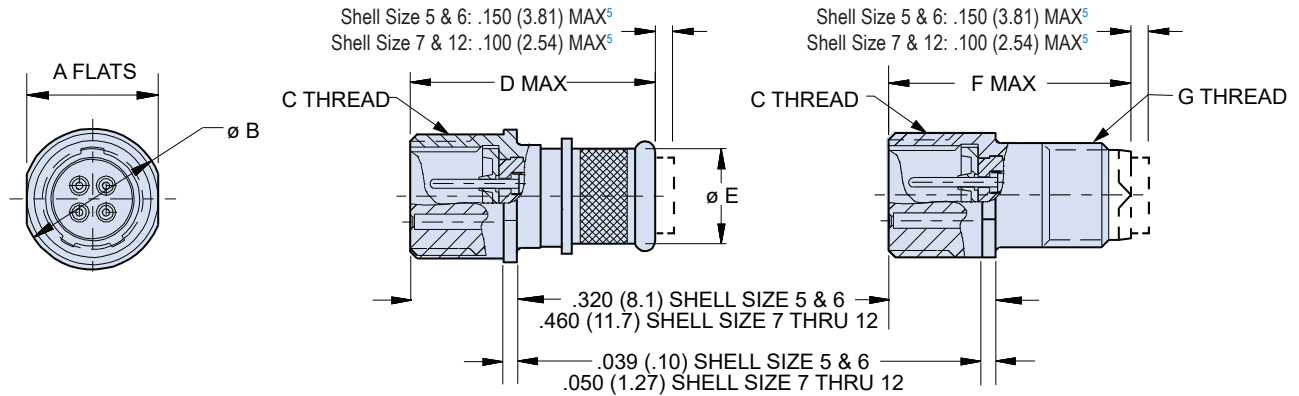


SERIES 800 UN THREAD MATING Mighty Mouse Connectors and Cables



In-Line Receptacle with Rear Release Crimp Contacts, Banding Porch, or Accessory Threads

IN-LINE CABLE RECEPTACLE - SHELL STYLE 01



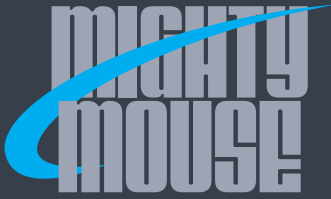
Integral Band Platform
800-010-01

Accessory Thread
800-011-01

Dimensions							
Shell Size	A Flats	Ø B	C Threads Mating	D Max.	Ø E	F Max.	G Threads Accessory
5	.312 (7.92)	.355 (9.02)	.3125-28 UN-2A	.750 (19.05)	.230 (5.84)	.725 (18.42)	.250-32 UNEF-2A
6	.375 (9.52)	.400 (10.16)	.3750-28 UN-2A	.750 (19.05)	.286 (7.26)	.725 (18.42)	.3125-32 UNEF-2A
7	.445 (11.30)	.490 (12.45)	.4375-28 UNEF-2A	.825 (20.96)	.390 (9.91)	.800 (20.32)	.4375-28 UNEF-2A
8	.550 (13.97)	.600 (15.24)	.5000-32 UN-2A	.825 (20.96)	.445 (11.30)	.800 (20.32)	.5000-28 UNEF-2A
9	.613 (15.57)	.663 (16.84)	.5625-32 UN-2A	.825 (20.96)	.500 (12.70)	.800 (20.32)	.5625-24 UNEF-2A
10	.675 (17.15)	.725 (18.42)	.6250-32 UN-2A	.825 (20.96)	.565 (14.35)	.800 (20.32)	.6250-24 UNEF-2A
12	.800 (20.32)	.850 (21.59)	.7500-28 UN-2A	.825 (20.96)	.650 (16.51)	.800 (20.32)	.6875-24 UNEF-2A

NOTES

- Contacts are size 23 crimp type, and used in a rear release retention system
- Additional insert arrangements available, consult factory
- Crimp barrel accommodates 22, 24, 26 and 28 gage wire
- Crimp tool data:
 - Crimp frame: M22520/2-01
 - Positioner for use with crimp frame: Glenair P/N 809-005
 - Insertion/extraction tool: Glenair P/N 809-008
- Grommet protrudes for power/combo arrangements
- Shell sizes 5 thru 6: master key is located at top dead center (TDC) for normal (N) position.
- Shell size 7 thru 12: master key is rotated 90° from TDC for normal position
- Material / finish:
 - Shell: Aluminum Alloy or CRES / see How to Order Table
 - Insulator: High Grade Rigid Dielectric
 - Interfacial seal, grommet seal: fluorosilicone or silicone
 - Contact: copper alloy / gold plate per ASTM B 488, Type II, Class 1.25, over a suitable underplate

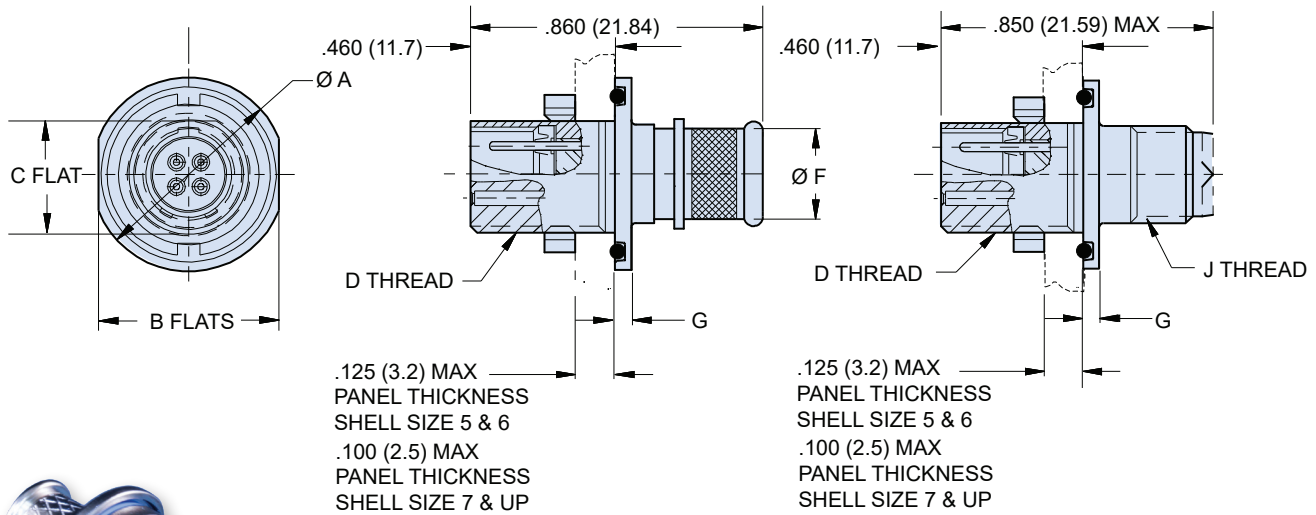


SERIES 800 UN THREAD MATING
Mighty Mouse Connectors and Cables



Jam-Nut Receptacle with Rear Release Crimp Contacts, Banding Porch, or Accessory Threads

JAM-NUT, REAR PANEL MOUNT RECEPTACLE - SHELL STYLE 07



Integral Band Platform
800-010-07

Accessory Thread
800-011-07

Dimensions							
Shell Size	Ø A	B Flat	C Flat	D Threads Mating	Ø F	G	J Threads Accessory
5	.541 (13.74)	.500 (12.70)	.285 (7.24)	.3125-28 UN-2A	.230 (5.84)	.051 (1.30)	.250-32 UNEF-2A
6	.610 (15.49)	.562 (14.27)	.352 (8.94)	.3750-28 UN-2A	.286 (7.26)	.051 (1.30)	.3125-32 UNEF-2A
7	.670 (17.02)	.635 (16.13)	.418 (10.62)	.4375-28 UNEF-2A	.390 (9.91)	.093 (2.36)	.4375-28 UNEF-2A
8	.775 (19.68)	.735 (18.67)	.473 (12.01)	.5000-32 UN-2A	.445 (11.30)	.093 (2.36)	.5000-28 UNEF-2A
9	.875 (22.23)	.806 (20.47)	.530 (13.46)	.5625-32 UN-2A	.500 (12.70)	.093 (2.36)	.5625-24 UNEF-2A
10	.980 (24.89)	.940 (23.88)	.604 (15.34)	.6250-32 UN-2A	.565 (14.35)	.093 (2.36)	.6250-24 UNEF-2A
12	1.062 (26.97)	.986 (25.04)	.712 (18.08)	.7500-28 UN-2A	.650 (16.51)	.093 (2.36)	.6875-24 UNEF-2A

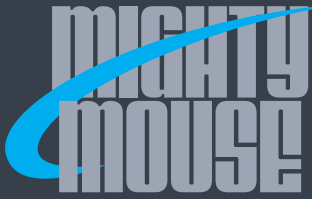
NOTES:

1. See page D-7 for panel cut-out dimensions

Material / finish:

- Shell, jam-nut: Aluminum Alloy or CRES / see How to Order Table
- Insulator: High Grade Rigid Dielectric
- Interfacial seal, grommet seal: fluorosilicone or silicone
- Contact: copper alloy / gold plate per ASTM B 488, Type II, Class 1.25, over a suitable underplate

SERIES 800 UN THREAD MATING

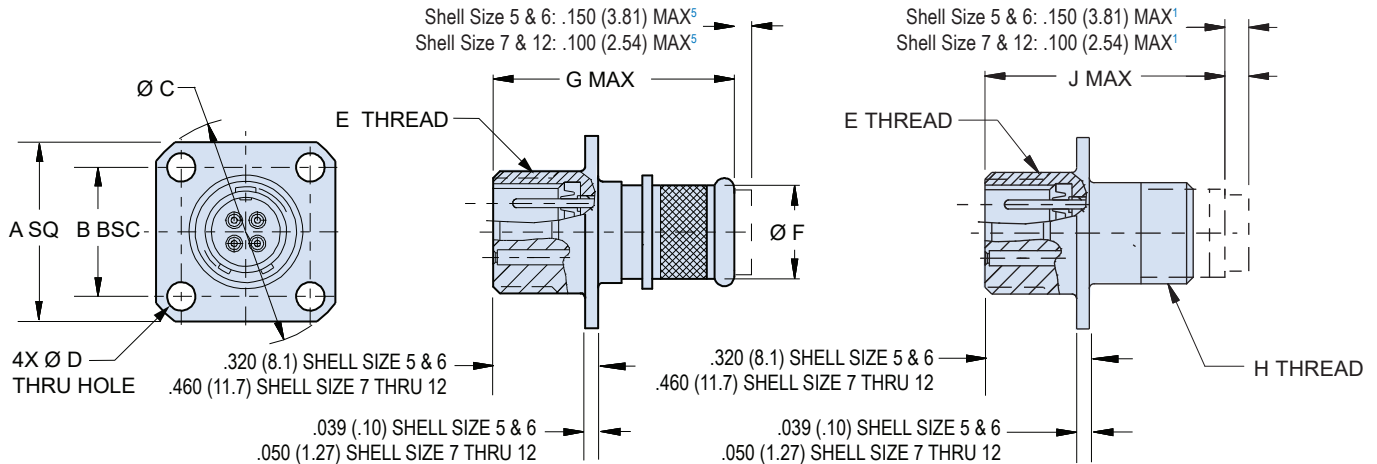


SERIES 800 UN THREAD MATING
Mighty Mouse Connectors and Cables



Square-Flange Receptacle with Crimp Contacts,
Banding Porch, or Accessory Threads

SQUARE FLANGE REAR PANEL MOUNT RECEPTACLE - SHELL STYLE 02



Integral Band Platform
800-010-02

Accessory Thread
800-011-02

Dimensions

Shell Size	A SQ	B Bsc	Ø C	Ø D ± .005 (± 0.13)	E Threads Mating	Ø F	G Max.	H Threads Accessory	J Max.
5	.527 (13.39)	.363 (9.22)	.680 (17.27)	.094 (2.39)	.3125-28 UN-2A	.230 (5.84)	.730 (18.54)	.250-32 UNEF-2A	.725
6	.588 (14.94)	.423 (10.74)	.750 (19.05)	.094 (2.39)	.3750-28 UN-2A	.286 (7.26)	.730 (18.54)	.3125-32 UNEF-2A	.725
7	.650 (16.51)	.483 (12.27)	.830 (21.08)	.128 (3.25)	.4375-28 UNEF-2A	.390 (9.91)	.805 (20.45)	.4375-28 UNEF-2A	.800
8	.710 (18.03)	.542 (13.77)	.938 (23.83)	.128 (3.25)	.5000-32 UN-2A	.445 (11.30)	.805 (20.45)	.5000-28 UNEF-2A	.800
9	.938 (23.83)	.719 (18.26)	1.250 (31.75)	.128 (3.25)	.5625-32 UN-2A	.500 (12.70)	.805 (20.45)	.5625-24 UNEF-2A	.800
10	.938 (23.83)	.719 (18.26)	1.250 (31.75)	.128 (3.25)	.6250-32 UN-2A	.565 (14.35)	.805 (20.45)	.6250-24 UNEF-2A	.800
12	1.031 (26.19)	.812 (20.62)	1.375 (34.92)	.128 (3.25)	.7500-28 UN-2A	.650 (16.51)	.805 (20.45)	.6875-24 UNEF-2A	.800

NOTES:

1. See page D-7 for panel cut-out dimensions

Material / finish:

- Shell: Aluminum Alloy or CRES / see How to Order Table
- Insulator: High Grade Rigid Dielectric
- Interfacial seal, grommet seal: fluorosilicone or silicone
- Contact: copper alloy / gold plate per ASTM B 488, Type II, Class 1.25, over a suitable underplate