

**BAND-IT<sup>®</sup> SHIELD TERMINATION SYSTEM**

**Fast, Cost-Effective Shield Termination**

Attach cable braid shields to EMI backshells with **BAND-IT<sup>®</sup>** stainless steel straps. The **BAND-IT<sup>®</sup>** system offers fast termination and the flexibility to handle different diameters with the same band.

**IMPORTANT NOTE: ALWAYS DOUBLE-WRAP BANDS!**

Contact Glenair or visit our website (glenair.com) to view our complete line of **BAND-IT<sup>®</sup>** products, including pneumatic tools for high production and calibration kits.

**Micro Band Tool**

Part Number **600-061**

**Standard Band Tool**

Part Number **600-058**

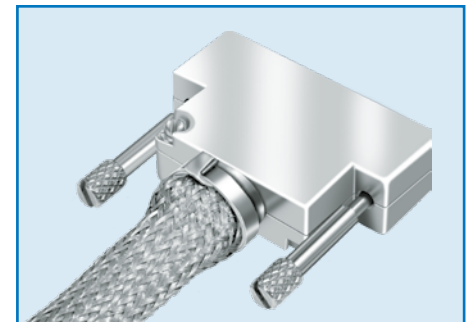
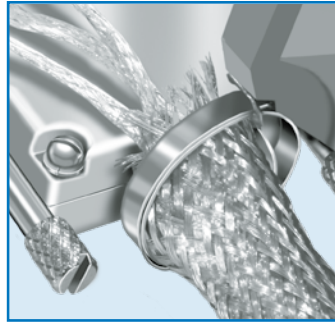
1.18 lbs.

6.75 Inches (172mm.) Length



**HOW TO ORDER BANDS**

Band Type	Width		Length		Part Number		Use With Tool	Accommodates Dia.	
	In.	mm.	In.	mm.	Uncoiled	Coiled		In.	mm.
Micro Band, Standard Length	.120	3.05	8.125	206.38	<b>600-057</b>	<b>600-057-1</b>	<b>600-061</b>	.88	22.35
Micro Band, Extended Length	.120	3.05	14.25	361.95	<b>600-083</b>	<b>600-083-1</b>	<b>600-061</b>	1.88	47.75
Standard Band, Standard Length	.240	6.10	14.256	362.10	<b>600-052</b>	<b>600-052-1</b>	<b>600-058</b>	1.80	45.72
Standard Band, Extended Length	.240	6.10	18.00	457.20	<b>600-090</b>	<b>600-090-1</b>	<b>600-058</b>	2.50	63.50



**Step One  
Cable Prep**

Lay individual shields over the band platform. Pull overall braid shield over the band platform so that all braid strands will be captured by the band.

**Step Two  
Install Band**

Wrap the band through the buckle twice. Insert the free end into the banding tool in the direction shown on the tool. Squeeze the short grey handle to insert the band. Slide the band onto the cable. Close the black handle repeatedly until the handle no longer opens. Close the long grey handle until the tool cuts the band. Remove the excess strap from the tool by closing the small grey handle.

**Step Three  
Trim Braid**

It's a snap! Just trim the excess braid and you're done.

Dimensions in inches (millimeters) and are subject to change without notice.