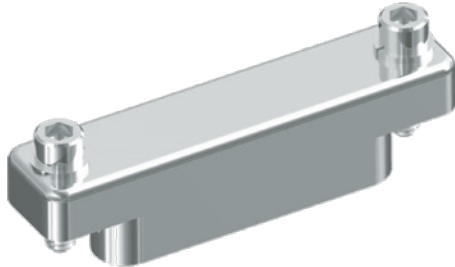


Series 79 Micro-Crimp Section H: Backshells and Accessories



799-018 & 799-019 METAL PROTECTIVE COVERS FOR MICRO-CRIMP CONNECTORS



Protect Connectors From Damage – Machined aluminum covers prevent ingress of water and contamination. Plug covers provide metal-to-metal bottoming for EMI protection. Receptacle covers feature conductive fluorosilicone gaskets.

Stainless Steel Fittings and Rings – Choose small diameter eye fittings for panel attachment. Larger rings fit over cable jackets. Split rings can be installed on fully assembled cables.

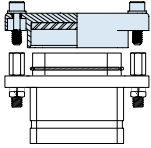

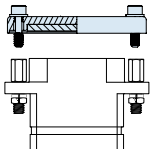

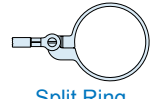
Polyurethane-Coated SST Wire Rope offers high strength, excellent abrasion resistance and good flexibility. Or, choose Teflon® jacket for high temperature exposure.

Braided Nylon Rope provides excellent flexibility and good abrasion resistance, and can be ordered with slip knot fittings for easy installation on any size cable.

How To Order

Sample Part Number

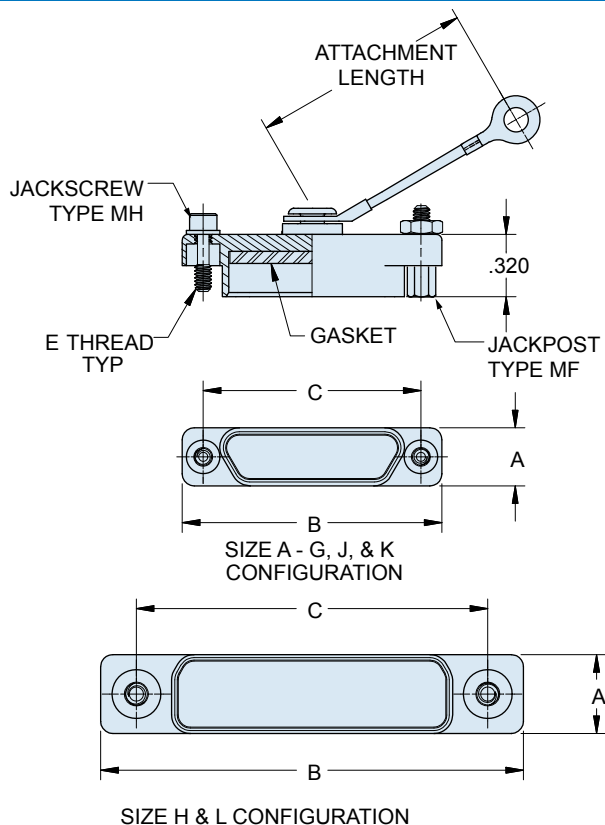
799-018 E E MB N 6 -04

Part Number	Shell Finish	Shell Size	Jackscrew Option	Lanyard Type	Attachment Length in Inches	Attachment Code
 799-018 Plug Cover	M Electroless Nickel <i>general purpose applications</i>	A B C	MB Slotted Fillister Head Jackscrew MH Hex Socket Head Jackscrew	N No Attachment G Nylon Rope	Omit for Attachment Type N (no attachment) Example "6" equals six inch length	Omit for attachment Types N (No Attachment) and SK (Slip Knot)  Small Ring 01 – .126 (3.20) I.D. 02 – .145 (3.68) I.D. 04 – .188 (4.78) I.D. 06 – .197 (5.00) I.D.
	MT Nickel-PTFE 1000 Hour Grey™ <i>maximum corrosion protection and durability (non-reflective grey)</i>	D E F G H	MF Female Jackpost	H Stainless Steel Rope, Teflon jacket U Stainless Steel Rope, Polyurethane jacket		
 799-019 Receptacle Cover	ZNU Zinc-Nickel with Black Chromate <i>tactical applications (non-reflective black)</i> Additional shell finishes are listed on page C-9.	J K L	T Stainless Steel Rope, No Jacket SK Nylon Rope with Slip Knot	 Large Ring 14 – .385 (9.78) I.D. 15 – .445 (11.30) I.D. 16 – .570 (14.48) I.D. 17 – .635 (16.13) I.D. 18 – .695 (17.65) I.D. 19 – .885 (22.48) I.D. 20 – 1.070 (27.17) I.D.	 Split Ring 50 – .420 (10.67) I.D. 52 – .480 (12.19) I.D. 54 – .635 (16.13) I.D. 56 – .745 (18.92) I.D. 58 – .885 (22.48) I.D. 60 – 1.010 (25.65) I.D. 64 – 1.125 (28.58) I.D. 68 – 1.345 (34.16) I.D.	

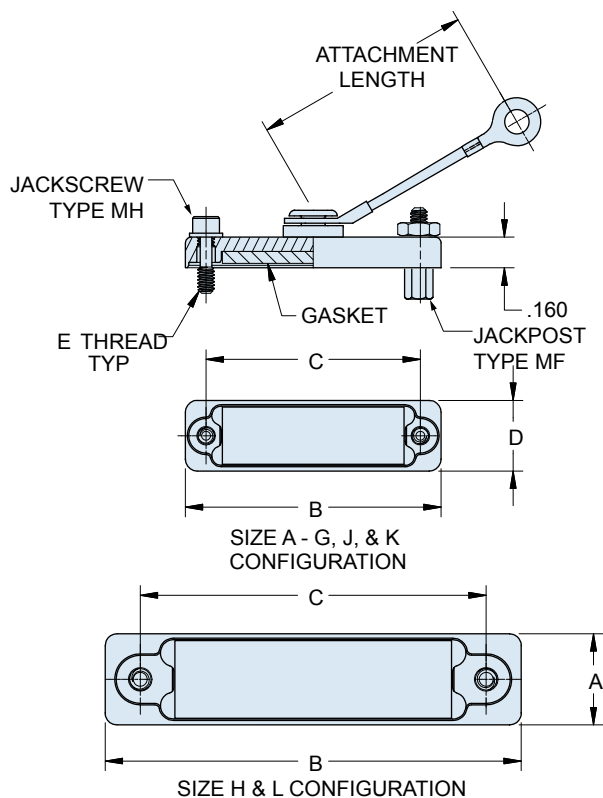
Dimensions in inches (millimeters) and are subject to change without notice.



799-018 PLUG COVER



799-019 RECEPTACLE COVER



799-018 & 799-019 DIMENSIONS

Shell Size	A Max.		B Max.		C		D Max.		E Thread
	In.	mm.	In.	mm.	In.	mm.	In.	mm.	
A	.308	7.82	.785	19.94	.565	14.35	.385	9.78	2-56 UNC
B	.308	7.82	.935	23.75	.715	18.16	.385	9.78	2-56 UNC
C	.308	7.82	1.085	27.56	.865	21.97	.385	9.78	2-56 UNC
D	.308	7.82	1.185	30.10	.965	24.51	.385	9.78	2-56 UNC
E	.308	7.82	1.335	33.91	1.115	28.32	.385	9.78	2-56 UNC
F	.308	7.82	1.485	37.72	1.265	32.13	.385	9.78	2-56 UNC
G	.395	10.03	1.435	36.45	1.215	30.86	.470	11.94	2-56 UNC
H	.410	10.41	2.170	55.12	1.800	45.72	.490	12.45	4-40 UNC
J	.308	7.82	1.845	46.86	1.615	41.02	.385	9.78	2-56 UNC
K	.308	7.82	2.240	56.90	2.015	51.18	.385	9.78	2-56 UNC
L	.410	10.41	2.406	61.11	2.036	51.71	.490	12.45	4-40 UNC

Component	Material	Finish
Backshell	Aluminum Alloy	See Ordering Info
Hardware	Stainless Steel	Passivated
Gasket	Conductive Fluorosilicone	None

Lanyard options



Nylon Rope

-55° to +100°C., black, very flexible, very good abrasion resistance, good resistance to fuels, .120" (3mm) diameter



Polyurethane Coated Wire Rope

Black polyurethane over stainless steel rope, -55° to +125°C., very flexible, excellent abrasion resistance, excellent resistance to fuels, .080" (2mm) diameter



Teflon® Jacketed Wire Rope

Translucent FEP jacket over stainless steel, -55° to +200°C., fair flexibility, good abrasion resistance, .100" diameter



Slip Knot (SK)
for Attaching Covers to Cable

55° to +100°C., black, very flexible, very good abrasion resistance, good resistance to fuels, .120" (3mm) diameter. Length includes .5" (13mm) diameter loop.

Dimensions in inches (millimeters) and are subject to change without notice.