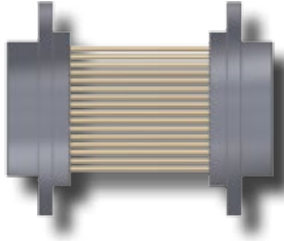


Low Profile Metal and Plastic Shell Micro-D MLDM Metal Shell Back-To-Back Cables



Micro-D
Double and
Triple Row

Low Profile MLDM Metal Shell Micro-D Back-To-Back Cables



Factory terminated MLDM "back-to-back" jumper cables simplify ordering and reduce assembly labor. Contacts are crimped to wire and potted with epoxy. Pin contacts are gold-plated high performance TwistPin type and are recessed into insulator to prevent damage. Socket contacts are gold plated, machined copper alloy. Aluminum alloy shell. Glass-filled high temperature LCP thermoplastic insulator. M22759/11 standard wire, or M22959/33 lightweight, high strength space grade wire. Meets performance requirements of MIL-DTL-83513. Available with 9 to 51 contacts. 3 A., 600 Vac, -55°C to +150°C.

HOW TO ORDER

Sample Part Number

MLDM32L	-37	GP	-6	K	1	-24	P
Series	No. of Contacts	Connector Type	Wire Gage (AWG)	Wire Type	Wire Color Code	Wire Length (Inches)	Mounting Hardware
MLDM1L Low Profile Metal Shell Micro-D with Yellow Chromate over Cadmium Finish	-9 -15 -21 -25 -31	GP Pin Connector Both Ends	-4 #24	K Standard Wire	1 White	Wire Length In Inches	B M M1 S S1 L P K F R H
MLDM2L Low Profile Metal Shell Micro-D with Electroless Nickel Shell Finish	-37 -51 -51-2	GS Socket Contacts Both Ends	-6 #26	Extruded PTFE per M22759/11, Silver-Plated Conductors (#30 AWG not available)	5 Color-Coded per MIL-STD-681	Example: -18 18 inches	
MLDM32L Low Profile Metal Shell Micro-D with Black Zinc Nickel Shell Finish		CS Pin Connector to Socket Connector	-8 #28	J Space Grade Wire	Wires 1-10 are solid color, 11-up are striped.	6, 12 and 18 are frequently used lengths.	
MLDM33L Low Profile Metal Shell Micro-D with Nickel-Fluorocarbon Shell Finish			-0 #30	High Strength, Lightweight, Crosslinked Modified ETFE per M22759/33, Silver-Plated Conductors	7 10 Color Repeat Wires are solid color per MIL-STD-681 color code system. Wires #1, #11, #21 are black, wires #2, #12, #22 are brown, and so on.		

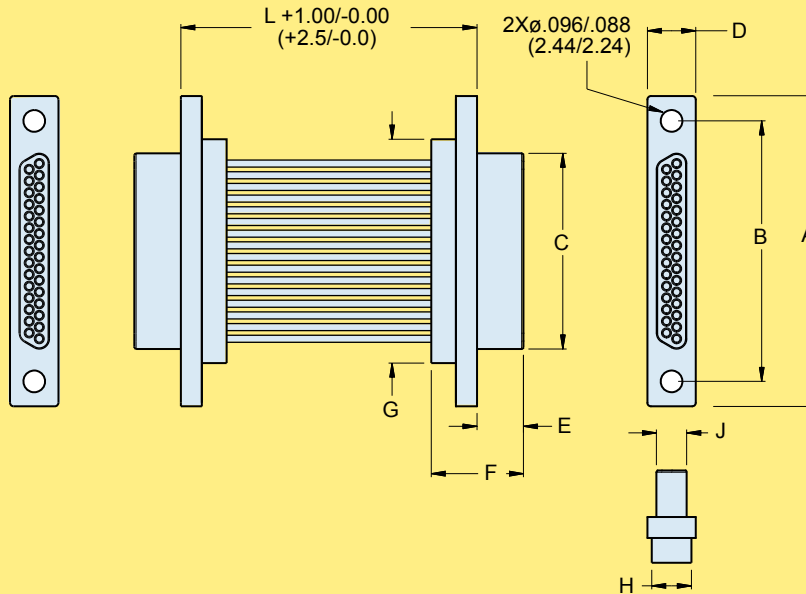
MOUNTING HARDWARE

B	P	M	M1	S	S1	L	K	F	R	H
Thru-Hole	Jackpost #2-56	Hex Head Jackscrew #2-56	Hex Head Jackscrew, Extended #2-56	Slot Head Jackscrew #2-56	Slot Head Jackscrew, Extended #2-56	Hex Head Jackscrew Non-Removable #2-56	Slot Head Jackscrew Non-Removable Extended #2-56	Float Mount For Front Panel Mounting	Float Mount For Rear Panel Mounting	#2-56 Threaded Insert



Low Profile Metal and Plastic Shell
Micro-D MLDM Metal Shell
Back-To-Back Cables

MLDM BACK-TO-BACK CABLE DIMENSIONS



Layout	A Max.		B		C Max.		D Max.		E Max.		F Max.		G Max.		H Max.		J Max.	
	In.	mm.	In. ± .003	mm. ± 0.08	In.	mm.	In.	mm.	In.	mm.	In.	mm.	In.	mm.	In.	mm.	In.	mm.
9P	.788	20.02	.565	14.35	.292	7.42	.218	5.54	.202	5.13	.395	10.03	.408	10.36	.173	4.39	.134	3.40
9S	.788	20.02	.565	14.35	.380	9.65	.218	5.54	.185	4.70	.375	9.53	.408	10.36	.173	4.39	.218	5.54
15P	.938	23.83	.715	18.16	.442	11.23	.218	5.54	.202	5.13	.395	10.03	.558	14.17	.173	4.39	.134	3.40
15S	.938	23.83	.715	18.16	.530	13.46	.218	5.54	.185	4.70	.375	9.53	.558	14.17	.173	4.39	.218	5.64
21P	1.088	27.64	.865	21.97	.592	15.04	.218	5.54	.202	5.13	.395	10.03	.708	17.98	.173	4.39	.134	3.40
21S	1.080	27.64	.865	21.97	.680	17.27	.218	5.54	.185	4.70	.375	9.53	.708	17.98	.173	4.39	.218	5.64
25P	1.188	30.18	.965	24.51	.692	17.58	.218	5.54	.202	5.13	.395	10.03	.808	20.52	.173	4.39	.134	3.40
25S	1.185	30.18	.965	24.51	.780	19.81	.218	5.54	.185	4.70	.375	9.53	.808	20.52	.173	4.39	.218	5.64
31P	1.338	33.99	1.115	28.32	.842	21.39	.218	5.54	.202	5.13	.395	10.03	.958	24.33	.173	4.39	.134	3.40
31S	1.338	33.99	1.115	28.32	.930	23.62	.218	5.54	.185	4.70	.375	9.53	.958	24.33	.173	4.39	.218	5.64
37P	1.488	37.80	1.265	32.13	.992	25.20	.218	5.54	.202	5.13	.395	10.03	1.108	28.14	.173	4.39	.134	3.40
37S	1.488	37.80	1.265	32.13	1.080	27.43	.218	5.54	.185	4.70	.375	9.53	1.108	28.14	.173	4.39	.218	5.64
51P	1.438	36.53	1.215	30.86	.942	23.93	.260	6.60	.202	5.13	.395	10.03	1.058	26.87	.220	5.59	.177	4.50
51S	1.438	36.53	1.215	30.86	1.030	26.16	.260	6.60	.185	4.70	.375	9.53	1.058	26.87	.220	5.59	.260	6.60
51-2P	1.835	46.61	1.615	41.02	1.340	34.04	.218	5.54	.214	5.44	.199	5.05	.390	9.91	.175	4.45	.134	3.40
51-2S	1.835	46.61	1.615	41.02	1.425	36.20	.218	5.54	.214	5.44	.180	4.57	.377	9.58	.175	4.45	.218	5.54